



BEF-KHS-K01

SICK
Sensor Intelligence.



Ordering information

Type	Part no.
BEF-KHS-K01	2022718

Included in delivery: BEF-KHS-KH1 (1)

Other models and accessories → www.sick.com/

Detailed technical data

Technical specifications

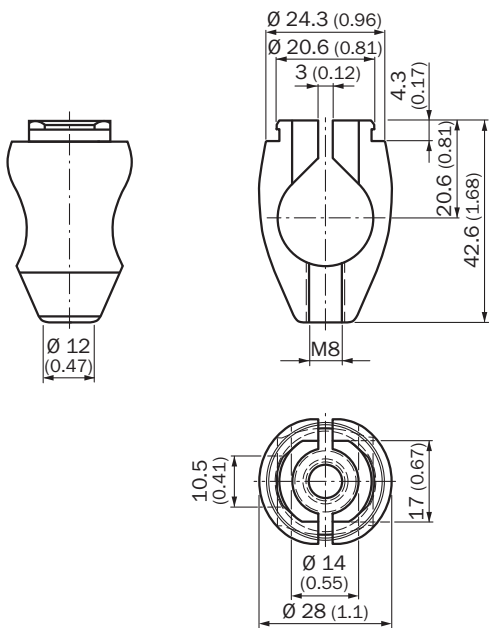
Accessory group	Universal bar clamp systems
Material	Steel, zinc coated
Items supplied	Universal clamp (2022726), mounting hardware
Description	Plate K for universal clamp bracket
Usable for	W11-2 W12-3 W14-2 W18-3 W23-2 W24-2 W27-3 W30 W32 W34 W36 PL50A PL80A P250 UC12 LUT3 KT2 KT5-2 KT8 CS8 DT2 DS30 DS40 W12-2 Laser W16 W26 KT5

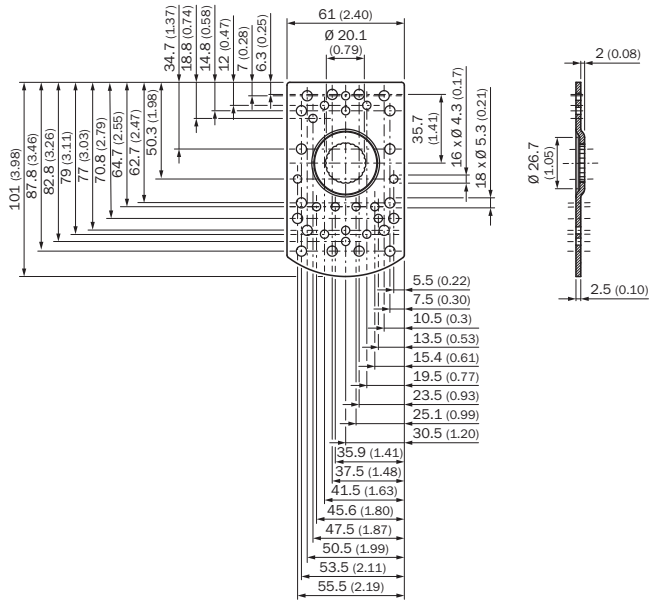
Classifications

ECl@ss 5.0	27279202
ECl@ss 5.1.4	27279202
ECl@ss 6.0	27279202
ECl@ss 6.2	27279202
ECl@ss 7.0	27279202
ECl@ss 8.0	27279202

ECI@ss 8.1	27279202
ECI@ss 9.0	27273701
ECI@ss 10.0	27273701
ECI@ss 11.0	27273701
ETIM 5.0	EC002024
ETIM 6.0	EC002024
ETIM 7.0	EC002024
ETIM 8.0	EC002024
UNSPSC 16.0901	32131023



Dimensional drawing (Dimensions in mm (inch))





Recommended accessories

Other models and accessories → www.sick.com/

	Brief description	Type	Part no.
Universal bar clamp systems			
	Mounting bar, straight, 300 mm, steel, steel, zinc coated, without mounting hardware	BEF-MS12G-B	4056055
	Bar clamp for bar diameter of 12 mm (fixing the mounting rod), Aluminum, 2 screws M6 x 30, 2 spring discs	BEF-RMC-D12	5321878

SICK AT A GLANCE

SICK is one of the leading manufacturers of intelligent sensors and sensor solutions for industrial applications. A unique range of products and services creates the perfect basis for controlling processes securely and efficiently, protecting individuals from accidents and preventing damage to the environment.

We have extensive experience in a wide range of industries and understand their processes and requirements. With intelligent sensors, we can deliver exactly what our customers need. In application centers in Europe, Asia and North America, system solutions are tested and optimized in accordance with customer specifications. All this makes us a reliable supplier and development partner.

Comprehensive services complete our offering: SICK LifeTime Services provide support throughout the machine life cycle and ensure safety and productivity.

For us, that is “Sensor Intelligence.”

WORLDWIDE PRESENCE:

Contacts and other locations –www.sick.com