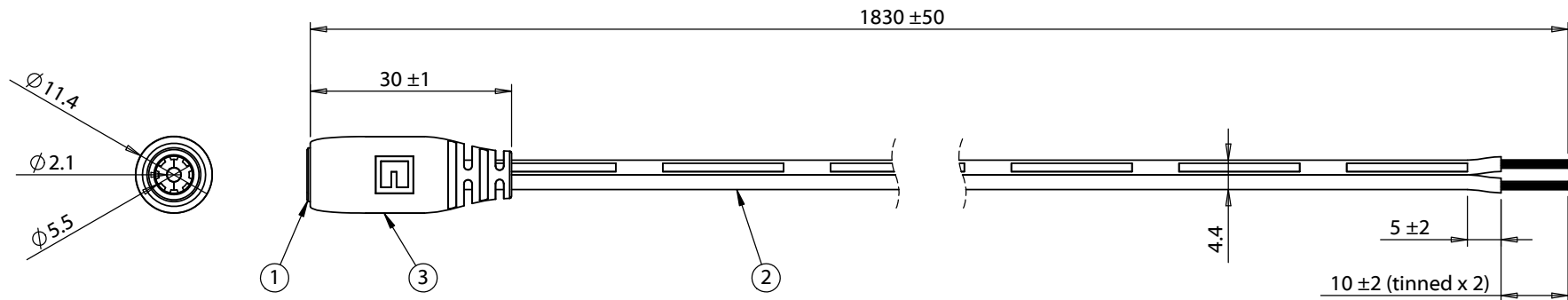


ITEM NO.	PART NUMBER	DESCRIPTION	QTY.	NOTES
1	50-00025	Connector, dc jack, 5.5x2.1xL17.4 mm, molding style	1	
2	30-00007	Wire, 2C BC, 18 AWG, UL2468, 300V, 80C, 4.4 mm, VW-1, PVC, 87A	1	
3	24-00004	Overmold, PVC, black	1	



Wiring diagram	
50-00025	Wire Color
Center	Black with stripe
Sleeve	Black

REVISION	DATE	DESCRIPTION	PREPARED:	NOTES	<h1>TENSILITY</h1> <p>20802 Sockeye Place #130 Bend, OR 97701 USA tel 541.323.3228 fax 541.323.4202 800 877.670.7118 www.tensility.com</p>				
A	6/27/2012	Initial release	GL 2016.01.06 16:59:46 -08'00'	RoHS compliant					
			LA <small>Digitally signed by LA DN: cn=LA, ou=Tensility, ou=Engineering, email=david@tensility.com, c=US Date: 2016.01.19 14:49:55 -08'00'</small>	Function test: no open, no reversed polarity, no short circuit, no INT					
			DIMENSIONS ARE IN MILLIMETERS	7 A, 12 Vdc					
			TOLERANCES: X: ± 0.5 mm X.X: ± 0.3 mm X.XX: ± 0.05 mm	Functionally equivalent components may be used					
				DESCRIPTION: Cable, 1830 mm, 5.5x2.1 mm 50-00025 dc jack to stripped tinned, 18 AWG, 30-00007 wire	<table border="1"> <tr> <td>SIZE</td> <td>PART NUMBER</td> </tr> <tr> <td>A</td> <td>10-01092</td> </tr> </table>	SIZE	PART NUMBER	A	10-01092
SIZE	PART NUMBER								
A	10-01092								
					<table border="1"> <tr> <td>SCALE: 1:1</td> <td>WEIGHT:</td> <td>SHEET 1 OF 1</td> </tr> </table>	SCALE: 1:1	WEIGHT:	SHEET 1 OF 1	
SCALE: 1:1	WEIGHT:	SHEET 1 OF 1							