

## SUMMARY

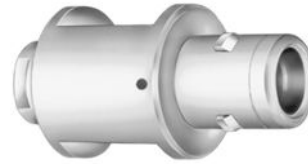


Image is for illustrative purpose only

### # Wires

Coax 1

Series 1E  
Termination type Male solder Coaxial  
IP rating 68  
AWG wire size 0.00 - 0.00  
Cable Ø 6.10 - 6.50 mm  
Status active  
Matching parts [ERA.1E.275.SLL](#)

### Download

[Request a quote](#)  
[Catalog](#)

## TECHNICAL DETAILS

### Mechanics

Shell Style/Model FZP\*: Straight plug for remote handling, cable collet and inner anti-rotating device  
Keying Circular, male  
Housing Material Stainless steel shell and collet nut, nickel plated [SAE AMS QQ N 290] brass latch sleeve and mid pieces  
Weight 39.61 g

### Performance

Configuration 1E.275 : 1 Coax (75 Ohm)  
Insulator L: PEEK (UL 94 / V-0/1.5)  
Rated Current 10 Amps

### Specifications

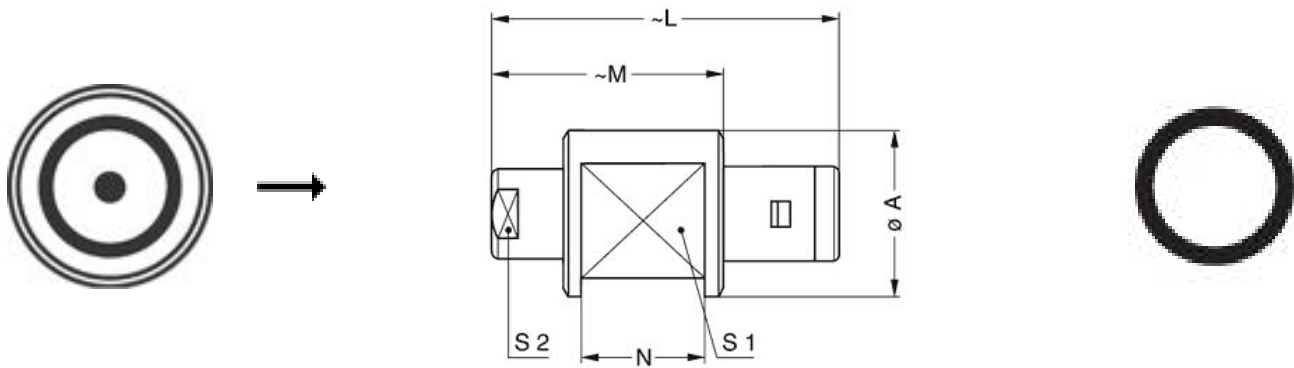
Contact Type: Solder  
Vtest: 2400 V (AC), 3300 V (DC)  
Impedance: 75 Ohm  
VSWR: 1.02 + 0.08 \* f/GHz  
Cable type: RG 179 B/U, RG 187 A/U, RG 58 C/U, RG 302 /U, RG 400 /U, 2YCCY, RG 59 B/U, RG 223 /U, HF-5408

### Others

LEMO products and services are provided "as is". LEMO makes no warranties or representations with regard to LEMO product & services or use of them, express, implied or statutory, including for accuracy, completeness, or security. The user is fully responsible for his products and applications using LEMO components.

Endurance (Shell): 5000 mating cycles  
 Temp (min / max): -55°C / +200°C  
 Humidity (max): <=95% [at 60 deg C / 140 F]  
 Vibration: 15 g [10 Hz - 2000 Hz]  
 Shock Resistance: 100 g [ 6 ms]  
 Climatical Category: 50/175/21  
 Shielding (min): 95 dB (10 MHz)  
 Shielding (min): 80 dB (1 GHz)

## DRAWINGS



### Dimensions

	A	L	M	N	S1	S2
mm.	20	42	28	15	15	9
in.	0,79	1,65	1,10	0,59	0,59	0,35

## RECOMMENDED BY LEMO

### Tools

Spanner wrench: [DCD.1E.008.PA090](#)

Caps: [BFA.1E.100.NAS](#)

*LEMO products and services are provided "as is". LEMO makes no warranties or representations with regard to LEMO product & services or use of them, express, implied or statutory, including for accuracy, completeness, or security. The user is fully responsible for his products and applications using LEMO components.*

*LEMO products and services are provided "as is". LEMO makes no warranties or representations with regard to LEMO product & services or use of them, express, implied or statutory, including for accuracy, completeness, or security. The user is fully responsible for his products and applications using LEMO components.*