

SUMMARY

Wires

Low voltage 68



Image is for illustrative purpose only

Series	LM
Termination type	Female print PCB
IP rating	68
AWG wire size	30.00 - 22.00
Cable Ø	0.00 - 0.00 mm
Status	active
Matching parts	FGW.LM.368.CLCM

Download

- [Request a quote](#)
- [PCB Eagle Pattern](#)
- [PCB Altium Pattern](#)
- [PCB KiCad Pattern](#)
- [Catalog](#)

TECHNICAL DETAILS

Mechanics

Shell Style/Model	HE*: Fixed receptacle, nut fixing for printed circuit, watertight
Keying	5 keys (alpha=95, beta=115, gamma=35, delta=25, plug: male contacts, receptacle: female contacts)
Housing Material	Brass (chrome plated [SAE AMS 2460]) shell and collet nut, nickel plated [SAE AMS QQ N 290] brass latch sleeve and mid pieces
Variant	P : Watertight
Weight	29.32 g

Performance

Configuration	LM.368 : 68 (0.7 mm) Low Voltage
Insulator	L: PEEK
Rated Current	2.5 Amps

Specifications

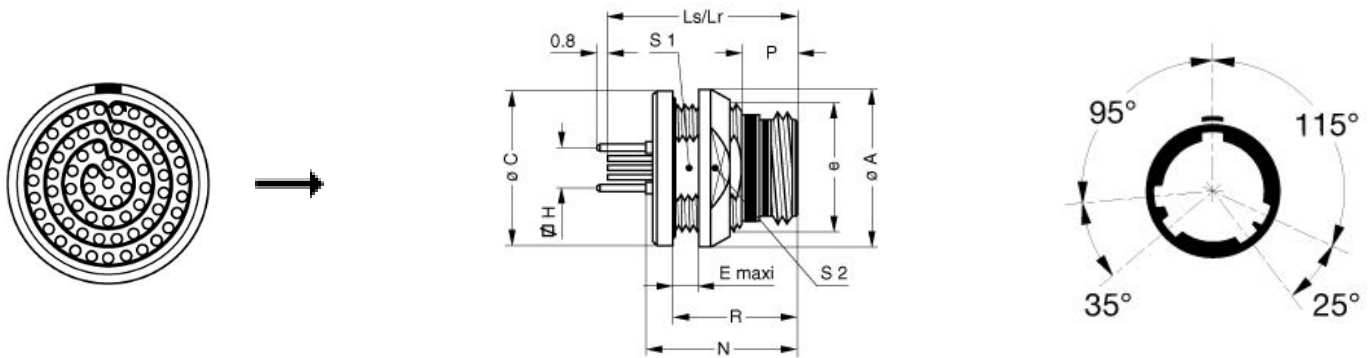
Contact Type: Print (straight)
Contact Dia.: 0.7 mm (0.028in)
R (max): 6.1 mOhm
Test voltage (kV rms) Contact-contact: 1.40
Test voltage (kV rms) Contact-shell: 1.65

LEMO products and services are provided "as is". LEMO makes no warranties or representations with regard to LEMO product & services or use of them, express, implied or statutory, including for accuracy, completeness, or security. The user is fully responsible for his products and applications using LEMO components.

Others

Endurance (Shell): 3000 mating cycles
 Temp (min / max): -20°C / +80°C
 Humidity (max): 21 days at 95%
 Gunfire vibration: 25 Hz - 2000 Hz, 3 axis (Apache helicopter)
 Vibration-Sine: 30 g, 3 axes, 12 hr [10 Hz - 2000 Hz]
 Vibration-Random: 37.8 g rms - 3 axes, 4 hr amb [50 Hz - 2000 Hz]
 Shock Resistance: 300 g [3 ms]
 Lighting strike EIA 364-75: 10K amps - 6 times
 Thermal shock: 5 cycles: -65°C to +150°C
 EMI Shielding EIA 364-66A: >= 80 dB (1 GHz), >=70 dB (3 GHz), >= 58 dB (6 GHz), >= 40 dB (10 GHz)
 Salt Spray Corrosion: >1000 hr

DRAWINGS



Dimensions

	A	C	E	H	Lr	Ls	N	P	R	S1	S2	e
mm.	33	31.8	4	16.51	24.6	24.6	19.9	7.9	16.9	26.5	29	M28x1.00
in.	1,30	1,25	0,16	0,65	0,97	0,97	0,78	0,31	0,67	1,04	1,14	

RECOMMENDED BY LEMO

Tools

LEMO products and services are provided "as is". LEMO makes no warranties or representations with regard to LEMO product & services or use of them, express, implied or statutory, including for accuracy, completeness, or security. The user is fully responsible for his products and applications using LEMO components.

Spanner wrench:

[DCM.65.040.8PA](#)

LEMO products and services are provided "as is". LEMO makes no warranties or representations with regard to LEMO product & services or use of them, express, implied or statutory, including for accuracy, completeness, or security. The user is fully responsible for his products and applications using LEMO components.