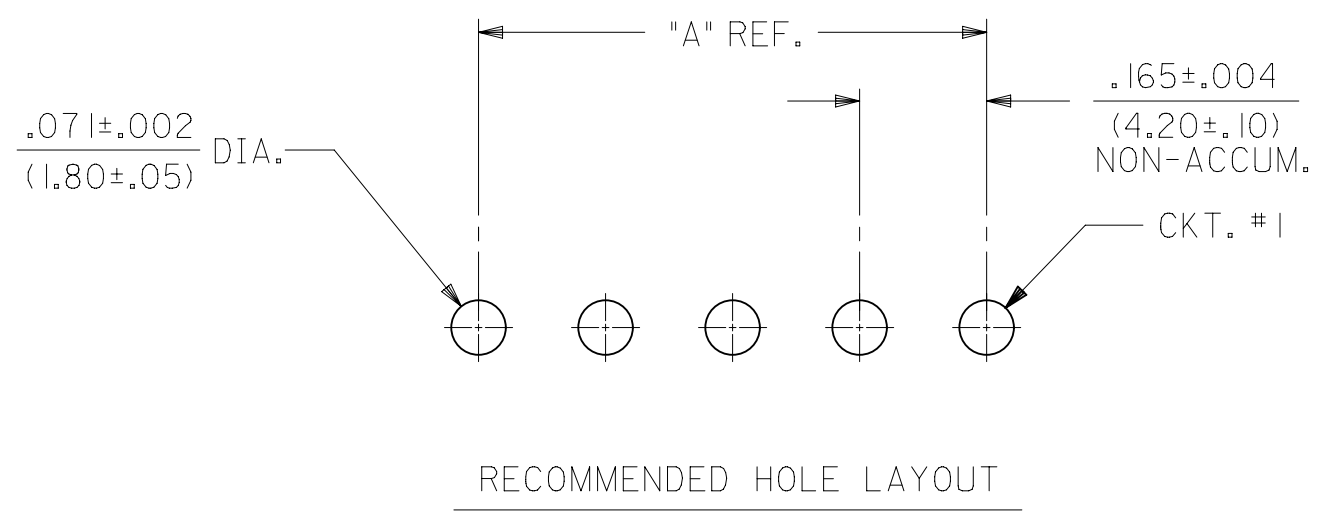
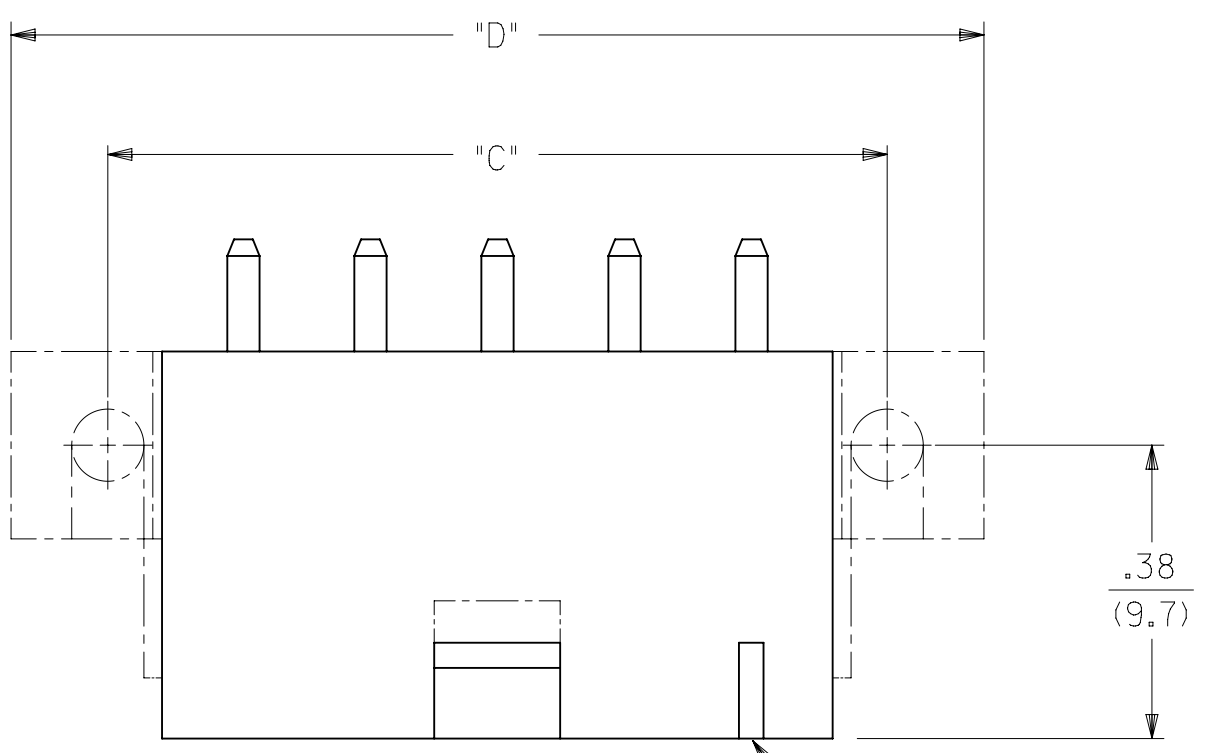
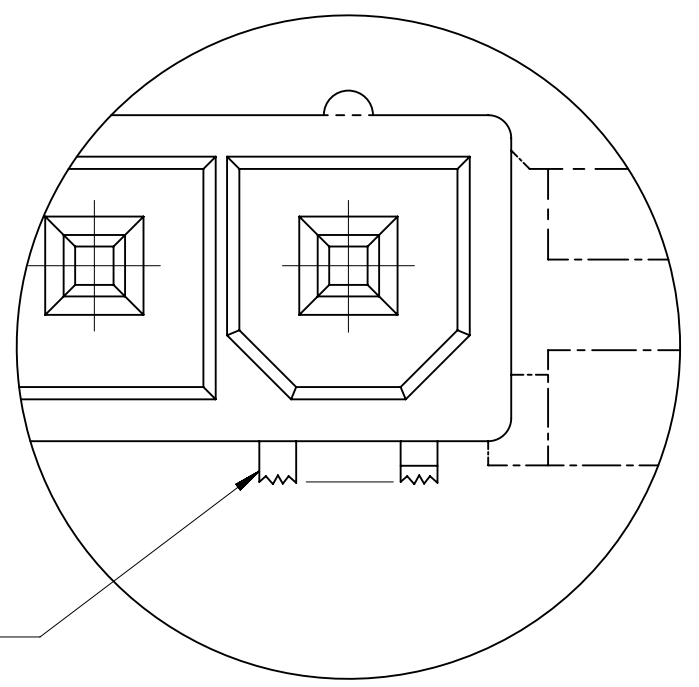
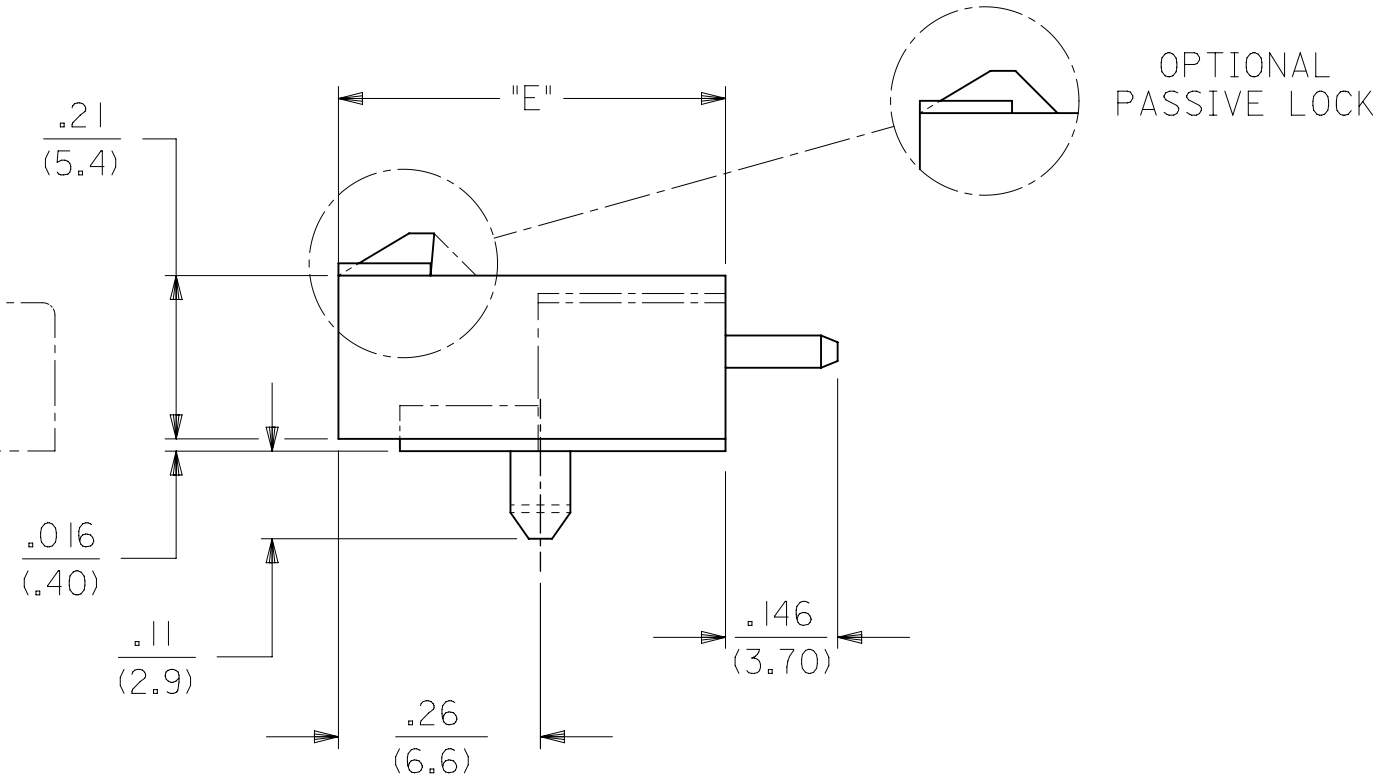
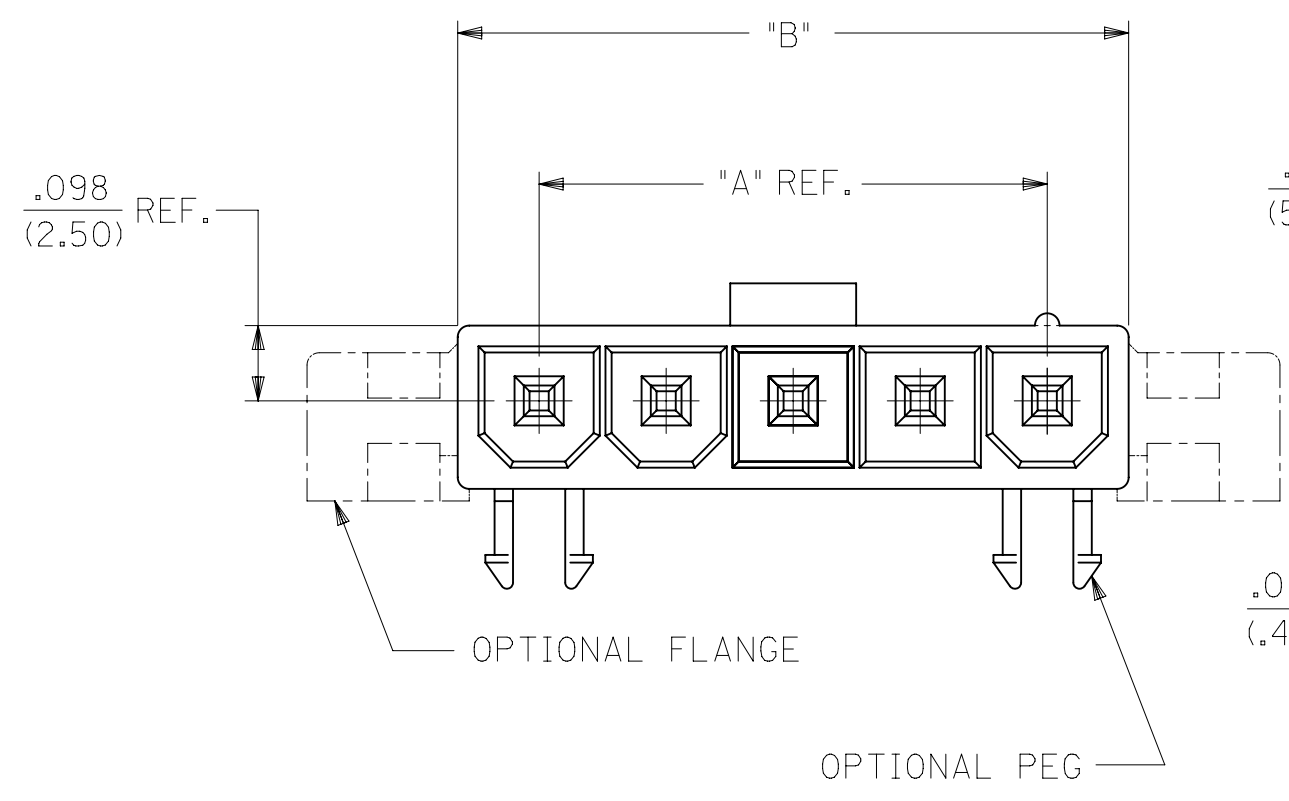


CIRCUIT SIZE	DIM. "A"	DIM. "B"	DIM. "C"	DIM. "D"	DIM. "E"
3	$\frac{.331}{(8.40)}$	$\frac{.543}{(13.80)}$	$\frac{.685}{(17.40)}$	$\frac{.937}{(23.80)}$	$\frac{.490}{(12.45)}$
4	$\frac{.496}{(12.60)}$	$\frac{.709}{(18.00)}$	$\frac{.850}{(21.60)}$	$\frac{1.102}{(28.00)}$	$\frac{.504}{(12.80)}$
5	$\frac{.661}{(16.80)}$	$\frac{.874}{(22.20)}$	$\frac{1.016}{(25.80)}$	$\frac{1.268}{(32.20)}$	$\frac{.504}{(12.80)}$
6	$\frac{.827}{(21.00)}$	$\frac{1.039}{(26.40)}$	$\frac{1.181}{(30.00)}$	$\frac{1.433}{(36.40)}$	$\frac{.504}{(12.80)}$
7	$\frac{.992}{(25.20)}$	$\frac{1.205}{(30.60)}$	$\frac{1.346}{(34.20)}$	$\frac{1.598}{(40.60)}$	$\frac{.504}{(12.80)}$
8	$\frac{1.157}{(29.40)}$	$\frac{1.370}{(34.80)}$	$\frac{1.512}{(38.40)}$	$\frac{1.764}{(44.80)}$	$\frac{.504}{(12.80)}$
9	$\frac{1.323}{(33.60)}$	$\frac{1.535}{(39.00)}$	$\frac{1.677}{(42.60)}$	$\frac{1.929}{(49.00)}$	$\frac{.504}{(12.80)}$
10	$\frac{1.488}{(37.80)}$	$\frac{1.701}{(43.20)}$	$\frac{1.843}{(46.80)}$	$\frac{2.094}{(53.20)}$	$\frac{.504}{(12.80)}$
11	$\frac{1.654}{(42.00)}$	$\frac{1.866}{(47.40)}$	$\frac{2.008}{(51.00)}$	$\frac{2.260}{(57.40)}$	$\frac{.504}{(12.80)}$
12	$\frac{1.819}{(46.20)}$	$\frac{2.031}{(51.60)}$	$\frac{2.173}{(55.20)}$	$\frac{2.425}{(61.60)}$	$\frac{.504}{(12.80)}$



RIB INDICATES CIRCUIT #1.



**DETAIL A**  
SHOWING PEG REMOVED OPTION (TYPICAL)

**NOTES:**

- HOUSING MATERIAL:
  - "A" - NYLON 6/6, U.L. 94V-2, COLOR: NATURAL.
  - "B" - NYLON 6/6, U.L. 94V-0, COLOR: NATURAL.
- TERMINAL MATERIAL: BRASS, ALLOY
- TERMINAL PLATING:
  - "A" - .000100/(0.00254) MIN. MATTE TIN OVER .000050/(0.00127) MIN. NICKEL
  - "B" - .000030/(0.00076) MIN. SELECT GOLD AND .000100/(0.00254) MIN. SELECT MATTE TIN OVER .000050/(0.00127) MIN. NICKEL OVERALL
- PRODUCT SPECIFICATION: PS-5556-001
- PACKAGING SPECIFICATION: 432420000-PK
- PART MATES WITH MINI-FIT JR. RECEPTACLE #5557.
- MOUNTING OPTIONS:
  - "1" - PEGS
  - "2" - FLANGES
  - "3" - PEGS REMOVED
- LOCK RAMP STYLES:
  - "1" - POSITIVE LOCK
  - "2" - PASSIVE LOCK
- ITEM NUMBERS PRECEDED BY AN "X" ARE NOT AVAILABLE.
- DISCOLORATION IN THE BANDOLIER CARRIER AREA OF THE PIN IS INHERENT TO THE PLATING PROCESS AND IS DUE TO THE MASKING EFFECT OF THE CARRIER. THIS DISCOLORATION IS IN A NON-FUNCTIONAL AREA OF THE PIN AND WILL NOT AFFECT THE PERFORMANCE OF THE HEADER ASSEMBLY.
- PART CONFORMS TO CLASS "B" REQUIREMENTS OF COSMETIC SPECIFICATION PS-45499-002.

SYMBOLS		THIS DRAWING CONTAINS INFORMATION THAT IS PROPRIETARY TO MOLEX ELECTRONIC TECHNOLOGIES, LLC AND SHOULD NOT BE USED WITHOUT WRITTEN PERMISSION	
▽ = 0	IN/MM	SCALE	CURRENT REV DESC: CHG PK IN NOTE 4
▽ = 0	4 PLACES ±	4:1	
▽ = 0	3 PLACES ±	GENERAL TOLERANCES (UNLESS SPECIFIED)	
▽ = 0	2 PLACES ±	MM	INCH
▽ = 0	1 PLACE ±	± 0.38	± 0.015
▽ = 0	0 PLACES ±	±	±
▽ = 0	ANGULAR TOL	± 0.5°	
▽ = 0	DRAFT WHERE APPLICABLE MUST REMAIN WITHIN DIMENSIONS	THIRD ANGLE PROJECTION	DRAWING SERIES
▽ = 0			C-SIZE 43242

EC NO: 167199	2018/02/09		
DRWN: AZAHIROVIC	2018/02/27		
CHK'D: JBELL	2018/03/09		
APPR: FSMITH	2018/03/09	SELECTIVELY LOADED SINGLE ROW VERT HDR ASSY MINI-FIT JR	
INITIAL REVISION:		PRODUCT CUSTOMER DRAWING	
DRWN: NNGUYEN	2012/01/24	DOCUMENT NUMBER	DOC TYPE   DOC PART   REVISION
APPR: FSMITH	2012/02/02	432420000-SD	PSD 000 A
MATERIAL NUMBER		CUSTOMER	SHEET NUMBER
SEE SHEET 2		GENERAL MARKET	1 OF 2

ITEM NO.	CKT. SIZE	CHARACTERISTIC DESCRIPTION	MOUNTING OPTION	PLATING	LETTER INDICATES PLATING AT EACH CKT., SEE NOTE 5											
					1	2	3	4	5	6	7	8	9	10	11	12
43242-0005	03	03B3A1	PEGS REMOVED	A	A	A	A	-	-	-	-	-	-	-	-	-
43242-0006	04	04B3A1	PEG REMOVED	A	A	A	A	A	-	-	-	-	-	-	-	-

CHARACTERISTICS LEGEND:

CIRCUIT SIZE (03-12) \*\*\*

HOUSING MATERIAL \*\*

"A" = NYLON 6/6, U.L. 94V-2, COLOR: NATURAL  
 "B" = NYLON 6/6, U.L. 94V-0, COLOR: NATURAL \*

MOUNTING OPTION \*

1 = PEGS  
 2 = FLANGES  
 3 = PEGS REMOVED

PLATING COMBINATION \*

"A" = MATTE TIN  
 "B" = SELECT GOLD

LOCK RAMP STYLE \*

1 = POSITIVE LOCK  
 2 = PASSIVE LOCK

SYMBOLS	THIS DRAWING CONTAINS INFORMATION THAT IS PROPRIETARY TO MOLEX ELECTRONIC TECHNOLOGIES, LLC AND SHOULD NOT BE USED WITHOUT WRITTEN PERMISSION											
	DIMENSION UNITS	SCALE		CURRENT REV DESC: CHG PK IN NOTE 4								
= 0	IN/MM	1:1		<b>molex</b> SELECTIVELY LOADED SINGLE ROW VERT HDR ASSY MINI-FIT JR PRODUCT CUSTOMER DRAWING								
= 0	GENERAL TOLERANCES (UNLESS SPECIFIED)											
= 0		MM	INCH	EC NO: 167199	DRWN: AZAHIROVIC 2018/02/09			2018/02/27				
= 0	4 PLACES	±	±	CHK'D: JBELL	APPR: FSMITH 2018/03/09			INITIAL REVISION:				
= 0	3 PLACES	±	± 0.015	DRWN: NNGUYEN 2012/01/24								
= 0	2 PLACES	± 0.38	±	APPR: FSMITH 2012/02/02								
= 0	1 PLACE	±	±	DOCUMENT NUMBER								
= 0	0 PLACES	±	±	432420000-SD			DOC TYPE	DOC PART	REVISION			
= 0	ANGULAR TOL	± 0.5°		MATERIAL NUMBER			CUSTOMER			SHEET NUMBER		
= 0	DRAFT WHERE APPLICABLE MUST REMAIN WITHIN DIMENSIONS			THIRD ANGLE PROJECTION	DRAWING	SERIES	GENERAL MARKET		2 OF 2			
= 0					C-SIZE	43242	SEE SHEET 2					