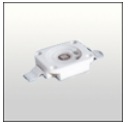
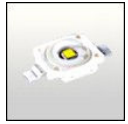


Platinum-4 lens series for Osram-os Platinum & Golden Dragon+



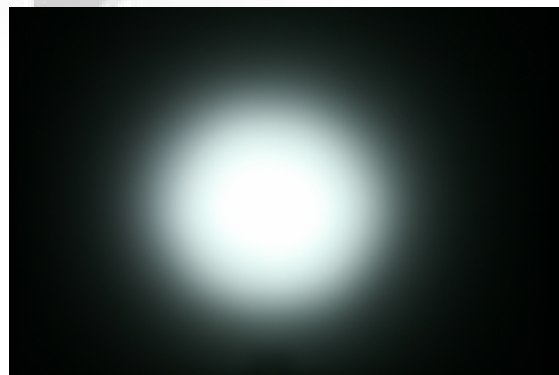
- Designed for Osram-os Golden Dragon+ LEDs, but works veru well with Platinum Dragon LED too
- Lens material optical grade PMMA with high UV and temperature resistance (105°C/220°F)
- High optical efficiency, >85%
- No lens holder. Fastening to heat sink with droplets of glue. NOTE: legs go into the PCB by 1.2 mm only, do not go thru a normal MCPCB
- Diameter 50 mm (MR16)
- Mechanical CAD models available upon request
- All 3 lens types have the same outer dimensions.

LENS TYPES

NAME	ORDERING CODE	FWHM Angle
Platinum-4 Spot	C10704_Platinum-4-OS	±6.4°
Platinum-4 Medium	C10703_Platinum-4-OM	±9.8°



PLATINUM-4-OS

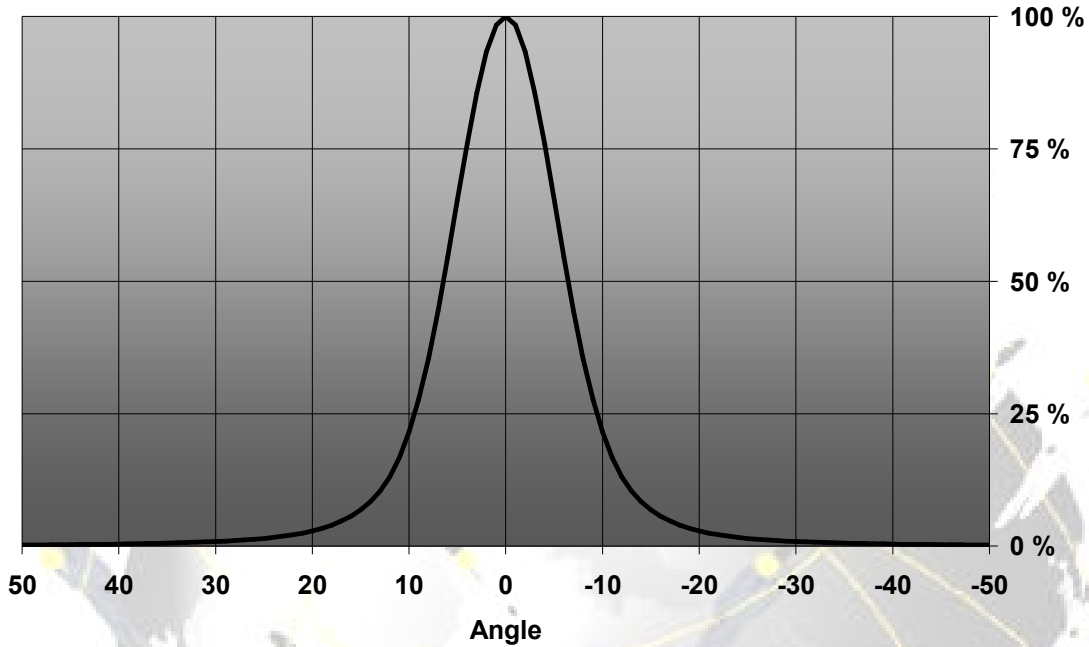


PLATINUM-4-OM

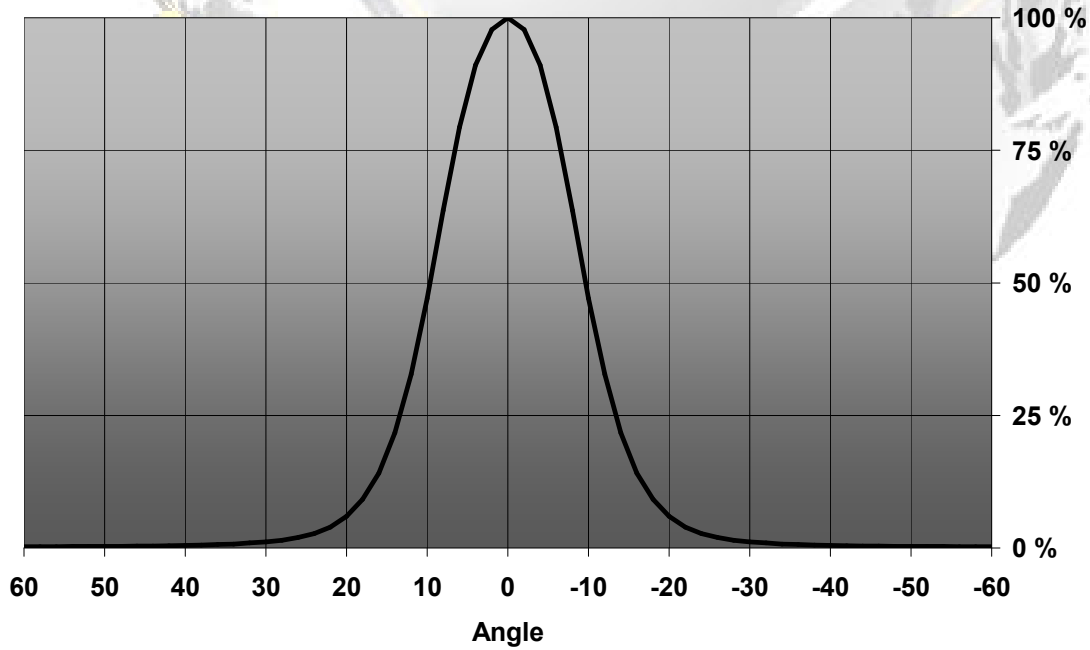
© Ledil Oy – PRELIMINARY - Subject to change without prior notice

MEASUREMENT DATA

Relative Intensity of Platinum-4-OS

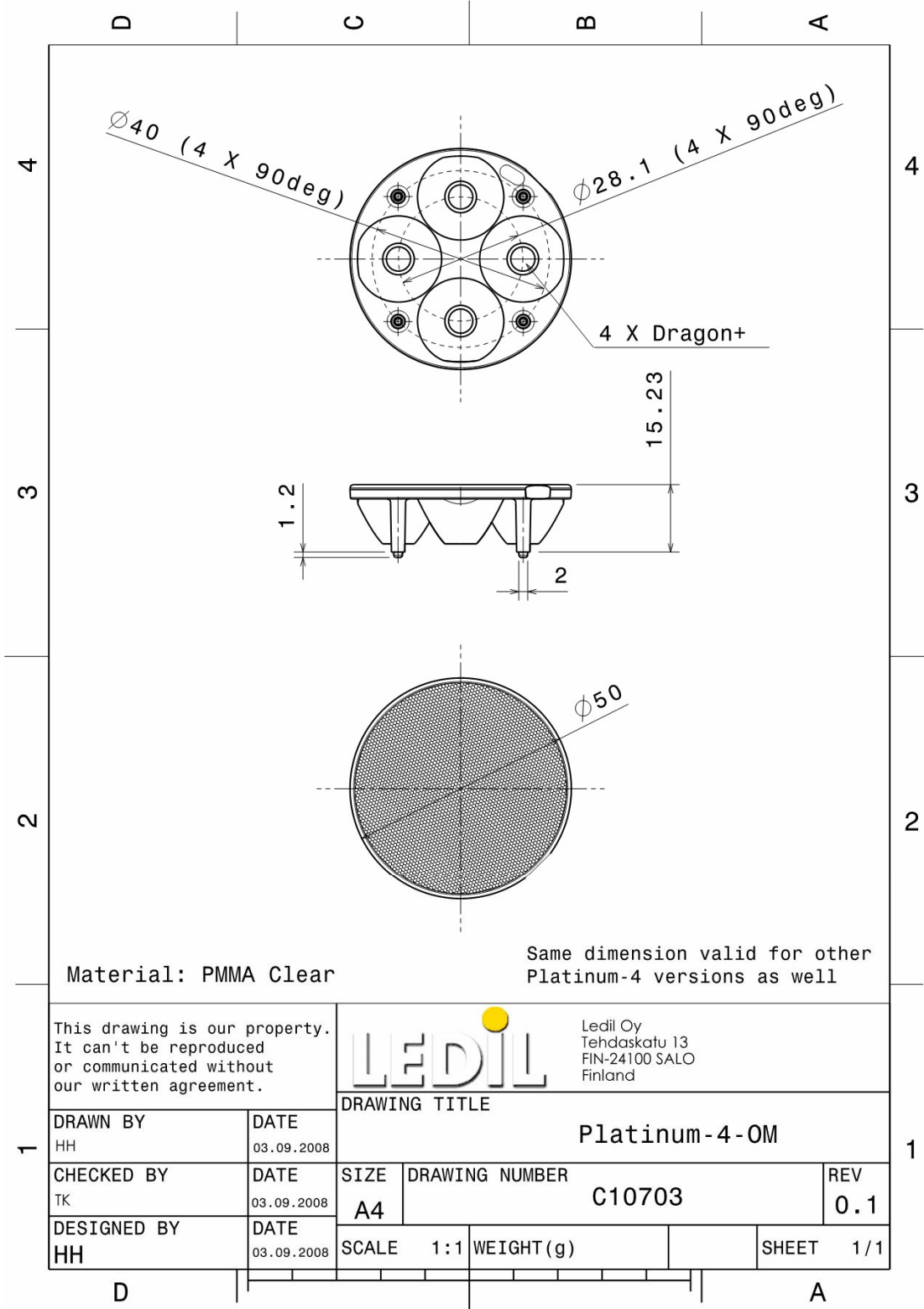


Relative Intensity of Platinum-4-OM



© Ledil Oy – PRELIMINARY - Subject to change without prior notice

DRAWINGS



© Ledil Oy – PRELIMINARY - Subject to change without prior notice