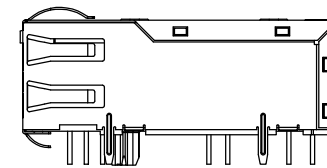
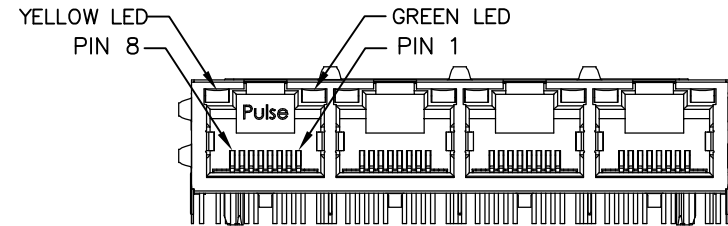
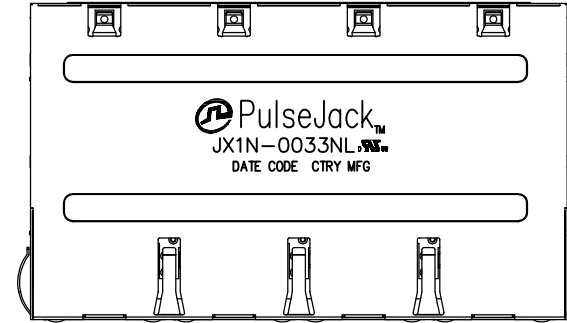


NOTES:

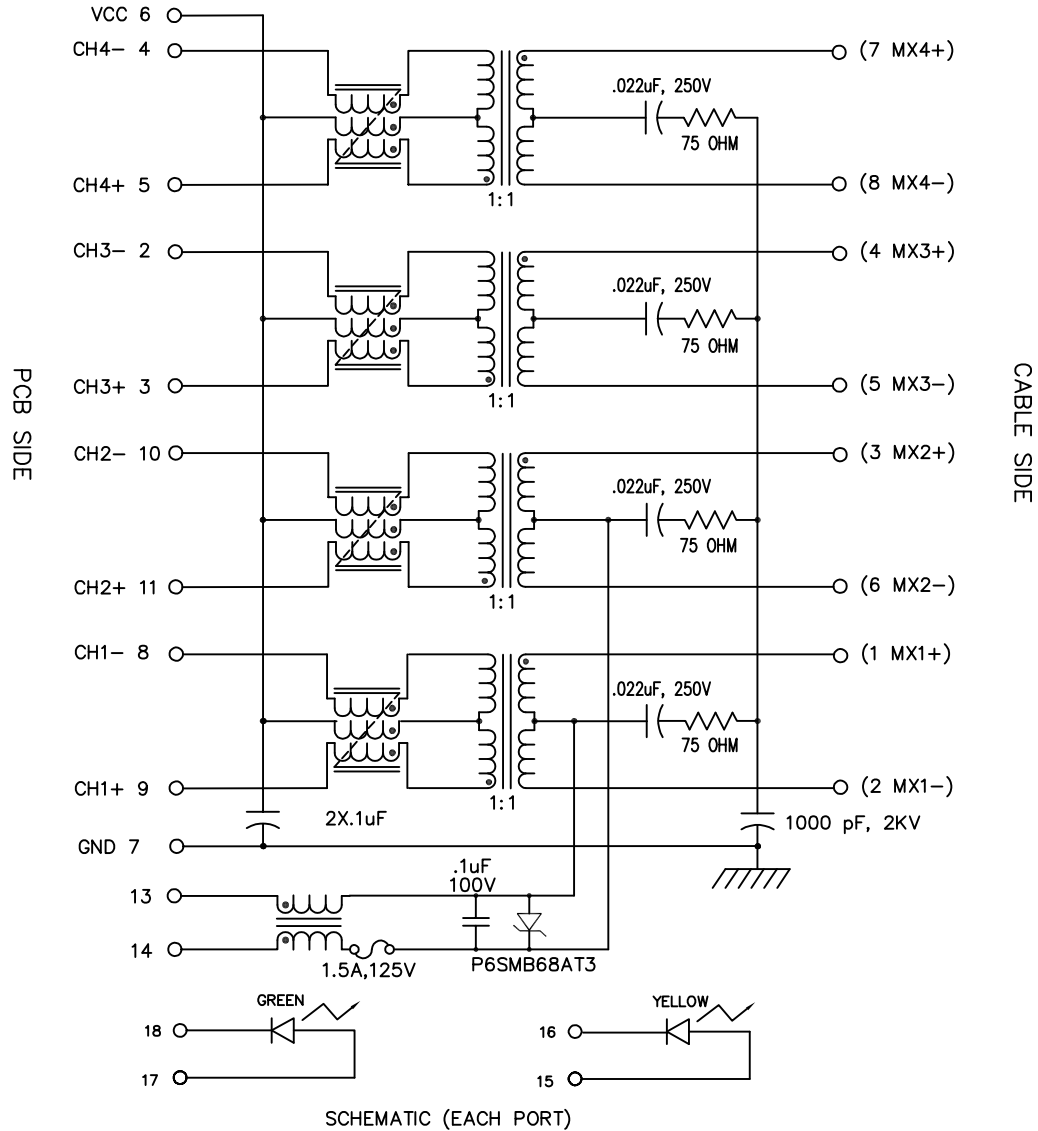
1. ROHS COMPLIANT
2. PLASTIC HOUSING: THERMOPLASTIC MATERIAL WITH FLAMMABILITY RATING UL 94V-0 OR BETTER.
3. CONTACTS PLATING: 50 MICRO-INCH GOLD PLATING.
4. CONTACTS BASE MATERIAL: PHOSPHOR BRONZE
5. UNDER PLATING: 30-50u INCHES NICKEL
6. SOLDER TAIL PLATING : 200-500 uINCHES 100% TIN, MATTE FINISH.
7. METAL SHIELD: NICKEL PLATING ON COPPER ALLOY.
8. JACK CAVITY CONFORMS TO FCC PART 68 SUBPART.
9. PCB PLATING: HASL
10. STORAGE TEMPERATURE: -50°C TO +125°C
11. COMPLIANCE TO J-STD:
 - A. J-STD-002: SOLDERABILITY AT 245°C DIP AND LOOK TEST
 - B. J-STD-020: LEVEL 1, NO MOISTURE SENSITIVE
 - C. J-STD-075: W2, 270°C MAXIMUM THROUGH WAVE SOLDER



FINAL OUTLINE

© Copyright, 2014. Pulse Electronics Corp. All rights reserved. Pulse confidential & proprietary. (11/11/14)

PRODUCT DESCRIPTION	TLA DRAWING	PS DRAWING	SHEET	PART NO.	DATASHEET REV.
CONN,RJ45,1X4,1GPP,1:1,TY	JX1N-0033NL-10	PS-2574.001-A	1 OF 5	JX1N-0033NL	A



ELECTRICAL CHARACTERISTICS AT +25°C UNLESS OTHER SPECIFIED
MEETS IEEE 802.3 SPECIFICATION

PARAMETER	SPECIFICATIONS		
OPERATING TEMP	-40°C TO +85 °C		
TURNS RATIO	1 : 1 ±2%		
POLARITY	PER SCHEMATIC		
INSERTION LOSS	100 KHz	1-100 MHz	125 MHz
	-1.2 dB MAX	-0.2-0.002*f ^{1.4} dB MAX	-3.0 dB MAX
RETURN LOSS (Z OUT = 100 OHM ±15%)	.1-40 MHz	40-100 MHz	
	-18 dB MIN	-10+20*LOG ₁₀ (f/80 MHz) dB MIN	
INDUCTANCE (OCL) (MEDIA SIDE, -40°C TO +85°C) @ 100 KHz, 100 mVRMS AND WITH	120 uH MIN,	@100KHz, 100mVRMS AND WITH 18.3mA DC BIAS FOR PAIRS (1-2) AND (3-6).	
	350 uH MIN,	@100KHz, 100mVRMS AND WITH 8mA DC BIAS FOR PAIRS (4-5) AND (7-8).	
CROSSTALK, ADJACENT CHANNELS	1 MHz	10-100 MHz	
	-45 dB MIN	-50+22*LOG ₁₀ (f/10) dB MIN	
COMMON MODE REJECTION RATIO	2 MHz	30-200 MHz	
	-50 dB MIN	-15+20*LOG ₁₀ (f/200) dB MIN	
DC RESISTANCE, 1/2 WINDING	.35 OHMS MAX		
DC RESISTANCE IMBALANCE	±.065 OHMS MAX (CENTER TAP SYMMETRY)		
DC CURRENT CARRYING CAPABILITY - ALL PINS	1 A MIN AT 70°C		
INPUT - OUTPUT ISOLATION	2250 VDC MINIMUM FOR 60 SECONDS		

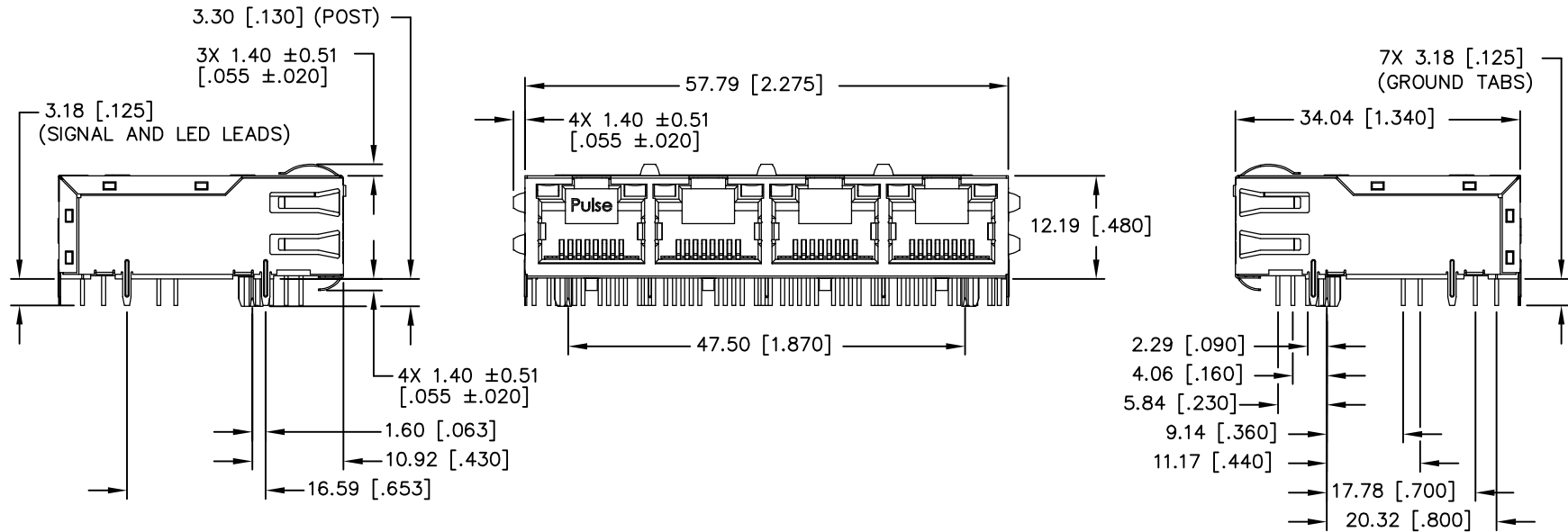
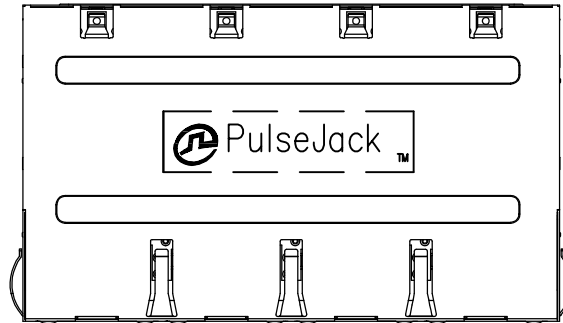
NOTE: f IS FREQUENCY IN MHz.

EMMITTED COLOR	YELLOW	GREEN
WAVELENGTH (nm)	588 nm	568 nm
BRIGHTNESS (mCD)	4.5 TYP @ 20 mA	12.5 TYP @ 20 mA
VIEWING ANGLE	130°	130°
POWER DISSIPATION (Pd)	55 mW MAX	55 mA MAX
PEAK FORWARD CURRENT (0.1 ms PULSE)	80 mA MAX	120 mA MAX
FORWARD VOLTAGE (Vf)	2.1 V TYP	2.1 V TYP

NOTE: PER VENDOR'S SPECIFICATIONS

© Copyright, 2014. Pulse Electronics Corp. All rights reserved. Pulse confidential & proprietary. (11/11/14)

PRODUCT DESCRIPTION	TLA DRAWING	PS DRAWING	SHEET	PART NO.	DATASHEET REV.
CONN,RJ45,1X4,1GPP,1:1,TY	JX1N-0033NL-10	PS-2574.001-A	2 OF 5	JX1N-0033NL	A

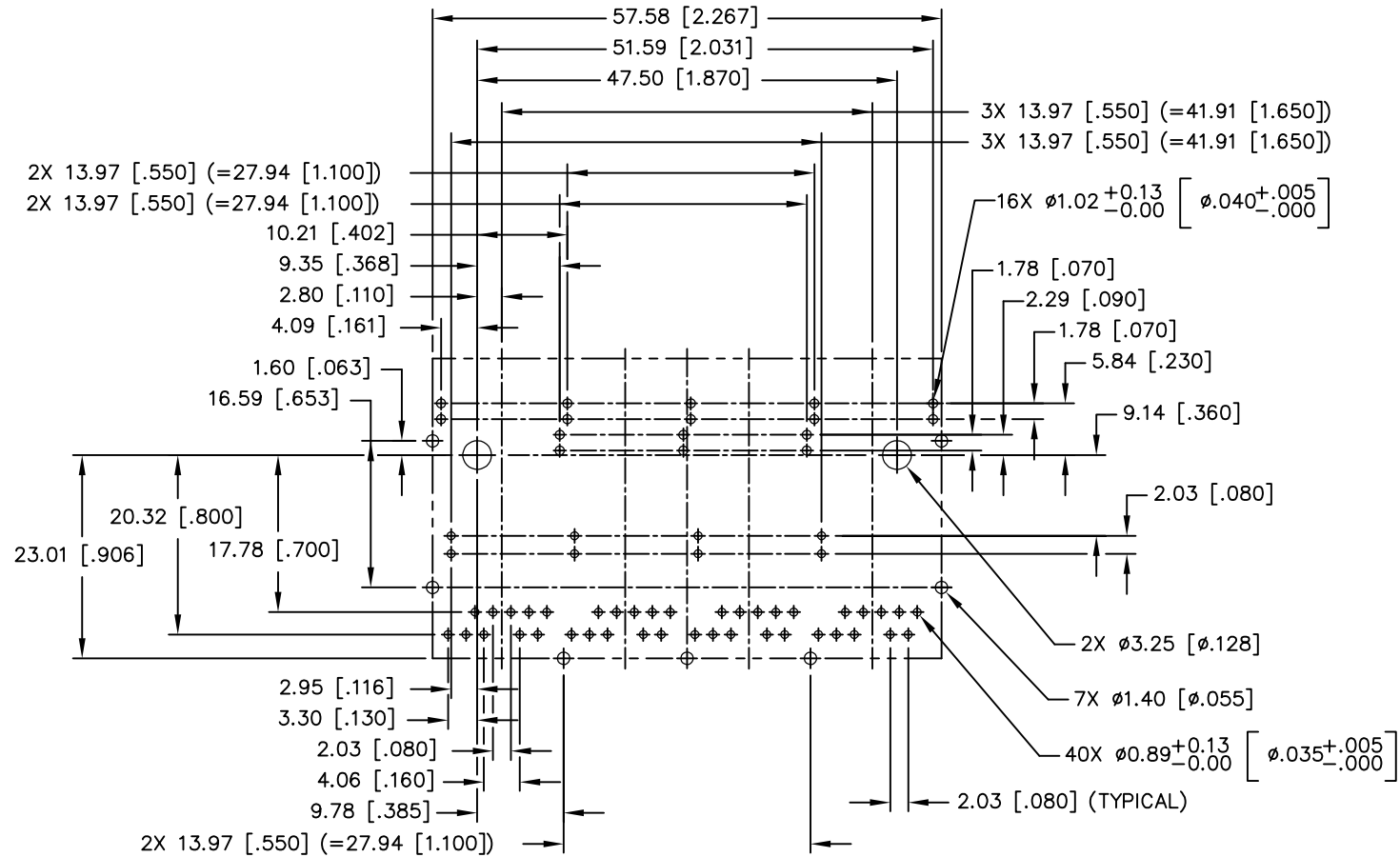


DIMENSIONS ARE IN MILLIMETERS [INCHES] WITH THE FOLLOWING TOLERANCES: [INCHES] ARE FOR REFERENCE ONLY.
X.XX [.XXX] = ±0.25 [±.010]

© Copyright, 2014. Pulse Electronics Corp. All rights reserved. Pulse confidential & proprietary. (11/11/14)

PRODUCT DESCRIPTION	TLA DRAWING	PS DRAWING	SHEET	PART NO.	DATASHEET REV.
CONN,RJ45,1X4,1GPP,1:1,TY	JX1N-0033NL-10	PS-2574.001-A	3 OF 5	JX1N-0033NL	A

FRONT OF CONNECTOR



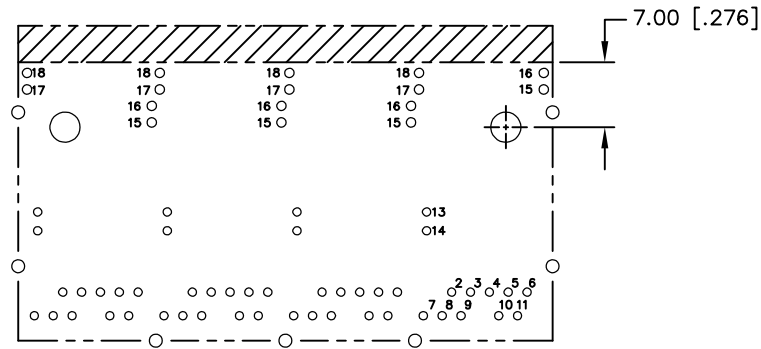
SUGGESTED FOOTPRINT (COMPONENT SIDE SHOWN)

DIMENSIONS ARE IN MILLIMETERS [INCHES] WITH THE FOLLOWING TOLERANCES: [INCHES] ARE FOR REFERENCE ONLY.
X.XX [.XXX] = ± 0.08 [± 0.003]

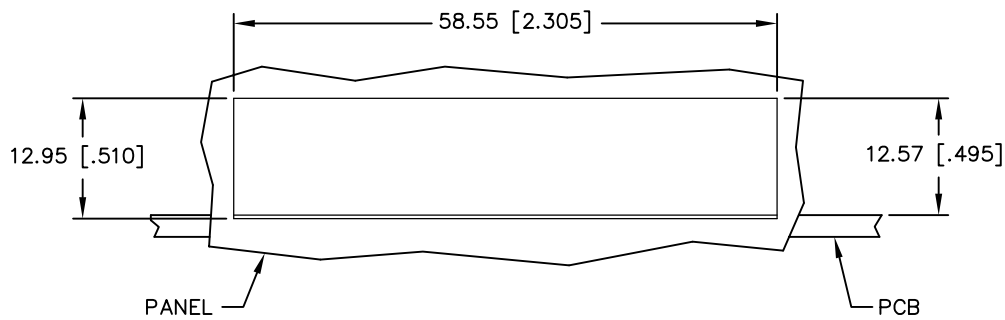
© Copyright, 2014. Pulse Electronics Corp. All rights reserved. Pulse confidential & proprietary. (11/11/14)

PRODUCT DESCRIPTION	TLA DRAWING	PS DRAWING	SHEET	PART NO.	DATASHEET REV.
CONN,RJ45,1X4,1GPP,1:1,TY	JX1N-0033NL-10	PS-2574.001-A	4 OF 5	JX1N-0033NL	A

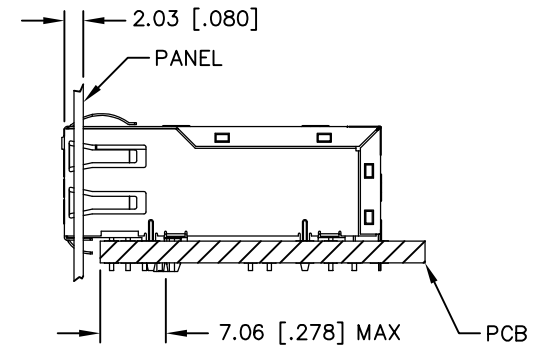
FRONT OF CONNECTOR



NO TRACE ZONE



SUGGESTED PANEL CUTOUT



DIMENSIONS ARE IN MILLIMETERS [INCHES] WITH THE FOLLOWING TOLERANCES: [INCHES] ARE FOR REFERENCE ONLY.
X.XX [.XXX] = ± 0.25 [± 0.010]

© Copyright, 2014. Pulse Electronics Corp. All rights reserved. Pulse confidential & proprietary. (11/11/14)

PRODUCT DESCRIPTION	TLA DRAWING	PS DRAWING	SHEET	PART NO.	DATASHEET REV.
CONN,RJ45,1X4,1GPP,1:1,TY	JX1N-0033NL-10	PS-2574.001-A	5 OF 5	JX1N-0033NL	A