

Qty Per:	TRAY	CARTON		
	12	72		
PART NUMBER	STATEMENT			
SFP0-3030-L	INNER/OUTER LIGHT PIPES			
No.	DESCRIPTION	Q'ty	MATERIAL	PLATING
01	SFP CAGE (Non-Logo)	1	COPPER ALLOY	
02	CONNECTOR	2	HIGH TEMP/COPPER ALLOY	GOLD
03	LIGHT PIPES	2	POLYCARBONITE	

DETACHED LISTS	MM (INCH)	RoHS Compliant		
	TOLERANCES EXCEPT AS NOTED	TITLE		
	MM .0 ± 0.25 ± .00 ± 0.2 ± .000 ± 0.10 ±	ANGLES ± 0.5	SFP 2 BY 2 CAGE+CONNECTOR_P	
	THIRD ANGLE PROJECTION	DFTD Jack DATE 6/09/10'	DRAWING NO. CSFP0-3030-L /PART NO. SFP0-3030-L	SIZE A3
SCALE : 2:1		DO NOT SCALE DRAWING	SHEET 1	OF 4

8

7

6

5

4

3

2

1

A

B

C

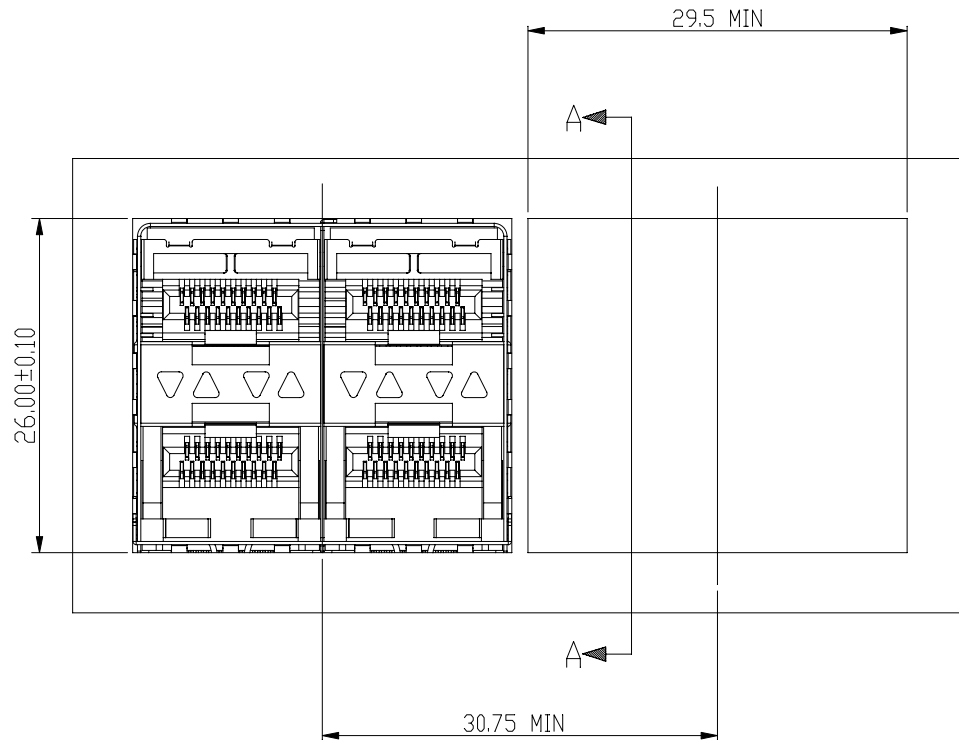
D

E

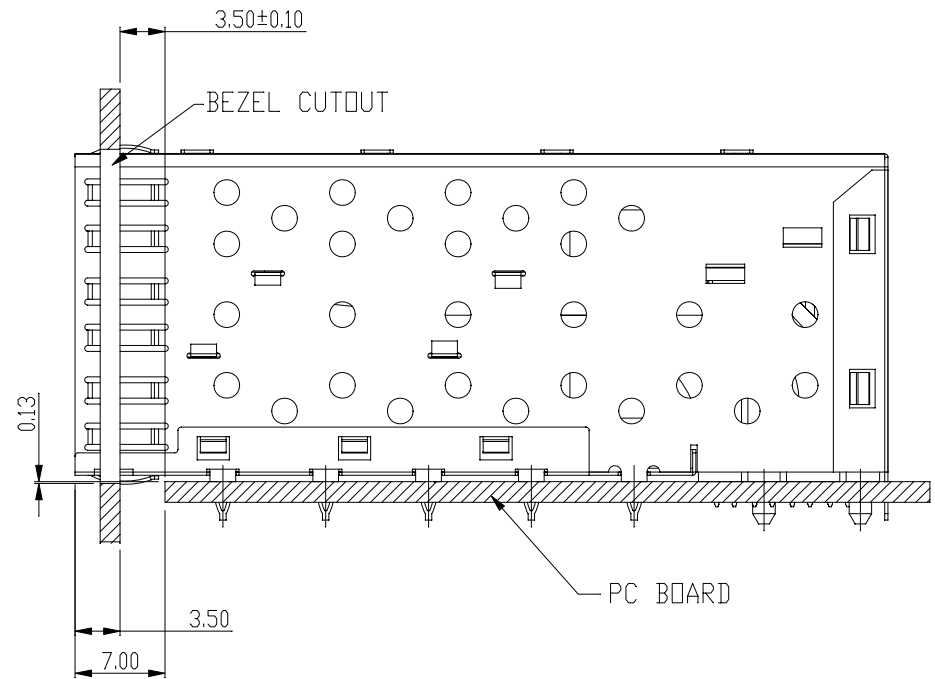
F

G

H



BEZEL CUT-OUT CENTER SPACING DETAIL
BEZEL THICKNESS:0.8-2.6



SECTION A-A

DETACHED LISTS	← MM (INCH) →	RoHS Compliant					
	TOLERANCES EXCEPT AS NOTED				TITLE SFP 2 BY 2 CAGE+CONNECTOR_P W/LIGHT PIPES		
	MM	±	DFTD Jack	DRAWING NO. CSFP0-3030-L		SIZE	REV
	.0 ± 0.25	±	DATE 6/09/10'	/PART NO. SFP0-3030-L	A3	2	
.00 ± 0.2	±	SCALE : 2:1		DO NOT SCALE DRAWING		SHEET 2	OF 4
.000 ± 0.10	±						
ANGLES ± 0.5							
THIRD ANGLE PROJECTION							

8

7

6

5

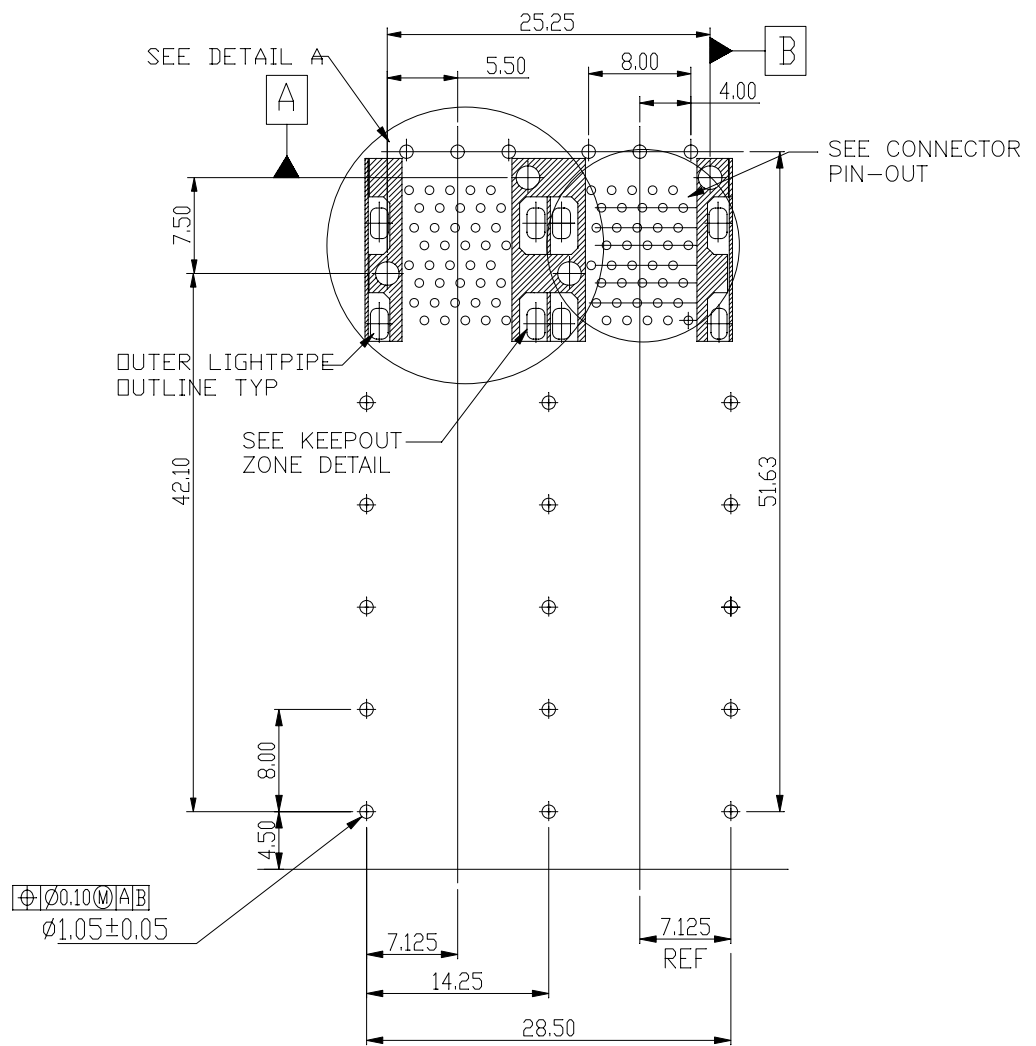
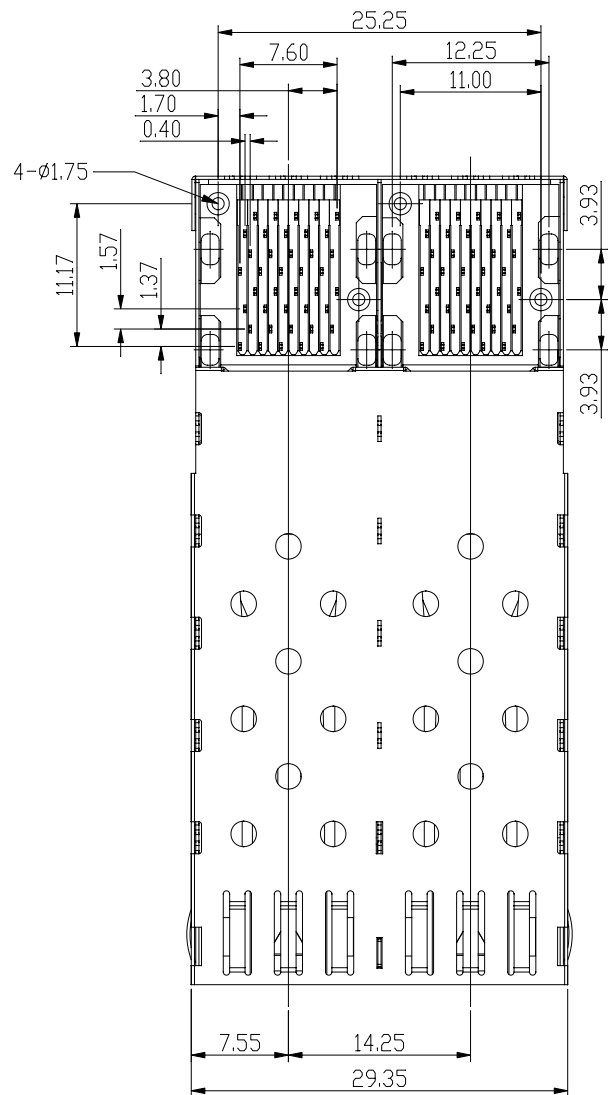
4

3

2

1

H
G
F
E
D
C
B
A



8

7

6

5

4

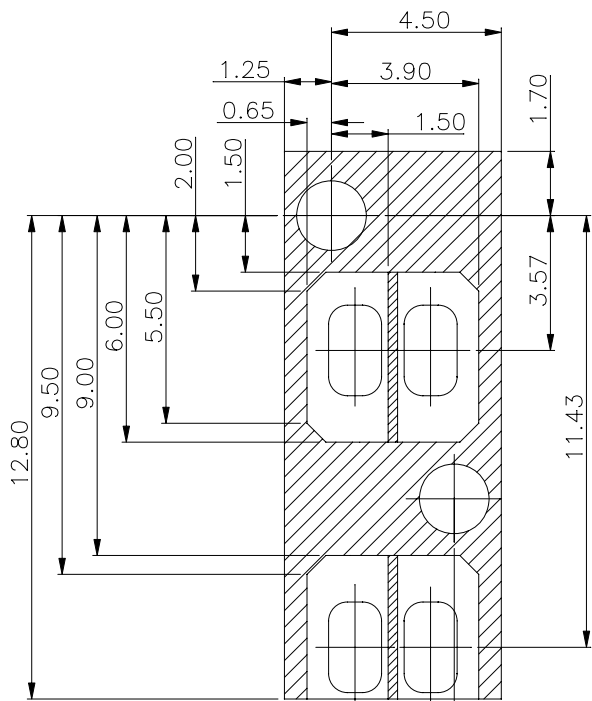
3

2

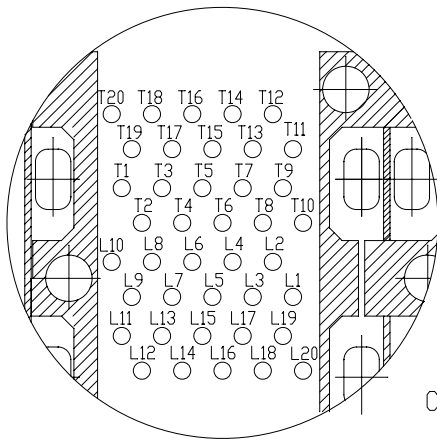
1

← MM (INCH) → <small>TOLERANCES EXCEPT AS NOTED</small>		RoHS Compliant			
DETACHED LISTS	MM	±	TITLE SFP 2 BY 2 CAGE+CONNECTOR_P W/LIGHT PIPES		
	.0	± 0.25			
	.00	± 0.2	±	DFTO Jack DATE 6/09/10'	
.000	± 0.10	±	DRAWING NO. CSFP0-3030-L /PART NO. SFPO-3030-L		
ANGLES ± 0.5			DO NOT SCALE DRAWING		SIZE A3
 THIRD ANGLE PROJECTION			SCALE : 2:1		REV 2
			SHEET 3 OF 4		

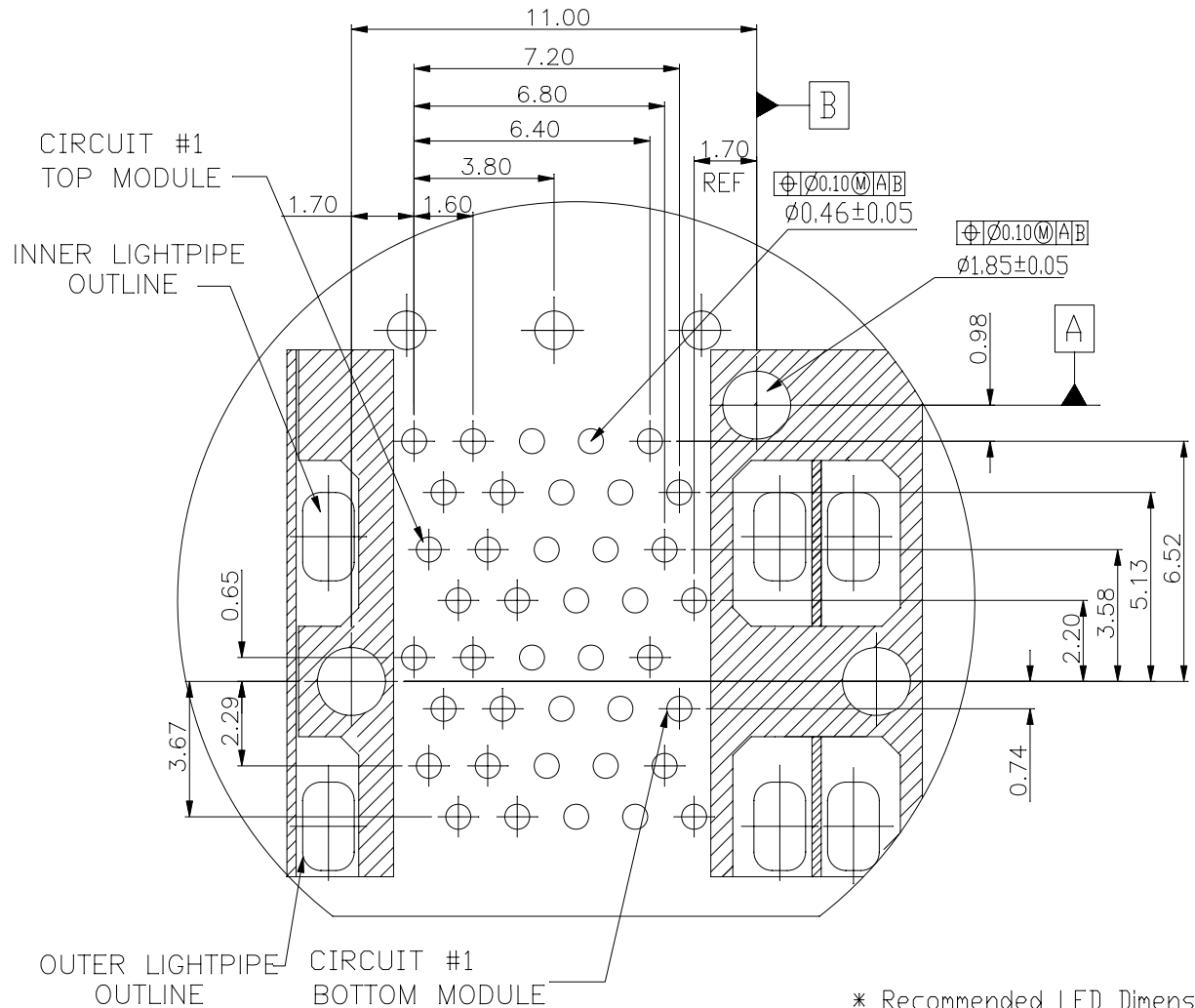
H
G
F
E
D
C
B
A



KEEPOUT ZONE DETAIL
SCALE 6:1



CONNECTOR PIN-OUT
COMPONENT SIDE OF BOARD



DETAIL A
SCALE 6:1

- * Recommended LED Dimensions
Dimensions(WxLxH):
- 0.5x1.0x0.5 mm
- 0.8x1.6x0.5 mm
- 1.25x2.0x0.8 mm
- 1.25x1.6x0.65 mm

DETACHED LISTS TOLERANCES EXCEPT AS NOTED MM .0 ± 0.25 ± .00 ± 0.2 ± .000 ± 0.10 ± ANGLES ± 0.5 THIRD ANGLE PROJECTION	RoHS Compliant		
	TITLE SFP 2 BY 2 CAGE+CONNECTOR_P		W/LIGHT PIPES
	DFTD Jack DATE 6/09/10'	DRAWING NO. CSFP0-3030-L /PART NO. SFP0-3030-L	SIZE A3
SCALE : 2:1		DO NOT SCALE DRAWING	SHEET 4 OF 4

8

7

6

5

4

3

2

1

H
G
F
E
D
C
B
A