

**Description:** LTE SNAP-ON ANTENNA

698-960MHz, 1427.9-1660.5MHz, 1695-2200MHz, 2300-2700MHz

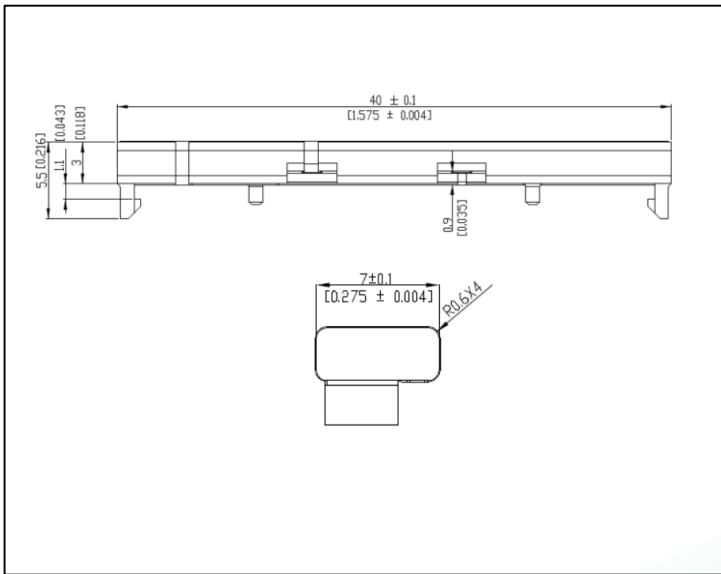
**Series:** Embedded Antenna

**PART NUMBER:** CLA-W3796P



**Features:**

- 698-2700MHz
- Easy snap-on mounting onto radio PCB
- Transparent plastic carrier
- C-clip contacts on radio board



**Applications:**

- 2G, 3G, 4G LTE
- M2M, IoT
- High speed data devices
- Security, Transportation
- Gateways, Set top boxes

All dimensions are in mm / inches

Issue: 1611

In the effort to improve our products, we reserve the right to make changes judged to be necessary.

CONFIDENTIAL AND PROPRIETARY INFORMATION

This document contains confidential and proprietary information of Pulse Electronics, Inc. (Pulse) and is protected by copyright, trade secret and other state and federal laws. Its receipt or possession does not convey any rights to reproduce, disclose its contents, or to manufacture, use or sell anything it may describe. Reproduction, disclosure or use without specific written authorization of Pulse is strictly forbidden.

For more information:

Pulse Worldwide Headquarters  
12220 World Trade Drive  
San Diego, CA 92128  
USA  
Tel: 1-858-674-8100

Pulse/Larsen Antennas  
3611 NE 112<sup>th</sup> Ave  
Vancouver, WA 98682  
USA  
Tel: 1-360-944-7551

Europe Headquarters  
Pulse GmbH & Do, KG  
Zeppelinstrasse 15  
Herrenberg, Germany  
Tel: 49 7032 7806 0

Pulse (Suzhou) Wireless Products Co, Inc.  
99 Huo Ju Road(#29 Bldg, 4<sup>th</sup> Phase  
Suzhou New District  
Jiangsu Province, Suzhou 215009 PR China  
Tel: 86 512 6807 9998



**Description:** LTE SNAP-ON ANTENNA

698-960MHz, 1427.9-1660.5MHz, 1695-2200MHz, 2300-2700MHz

**Series:** Embedded Antenna

**PART NUMBER:** CLA-W3796P

### ELECTRICAL SPECIFICATIONS

Frequency	698-960 / 1427.9-1660.5/ 1695-2200 / 2300-2700MHz
Nominal Impedance	50 Ω
VSWR	3.5:1 @ 1427.9-1660.5MHz 3:1 @ the others band
Return Loss	-5dB @ 1427.9-1660.5MHz -6dB @ the others band
Average Total Efficiency (698-960MHz)	60%
Average Total Efficiency (1427.9-1660.5MHz)	45%
Average Total Efficiency (1695-2200MHz)	70%
Average Total Efficiency (2300-2700MHz)	70%
Average Peak Gain (698-960MHz)	0.4 dBi
Average Peak Gain (1427.9-1660.5MHz)	1.5 dBi
Average Peak Gain (1695-2200MHz)	3.0 dBi
Average Peak Gain (2300-2700MHz)	5.2 dBi
Average Gain (698-960MHz)	-2.0 dBi
Average Gain (1427.9-1660.5MHz)	-3.1 dBi
Average Gain (1695-2200MHz)	-1.5 dBi
Average Gain (2300-2700MHz)	-1.5 dBi
Maximum power input	5W

(\*) All RF parameters measured on Pulse reference test PCB

Issue: 1611

In the effort to improve our products, we reserve the right to make changes judged to be necessary.

CONFIDENTIAL AND PROPRIETARY INFORMATION

This document contains confidential and proprietary information of Pulse Electronics, Inc. (Pulse) and is protected by copyright, trade secret and other state and federal laws. Its receipt or possession does not convey any rights to reproduce, disclose its contents, or to manufacture, use or sell anything it may describe. Reproduction, disclosure or use without specific written authorization of Pulse is strictly forbidden.

**Description:** LTE SNAP-ON ANTENNA

698-960MHz, 1427.9-1660.5MHz, 1695-2200MHz, 2300-2700MHz

**Series:** Embedded Antenna

**PART NUMBER:** CLA-W3796P

### MECHANICAL SPECIFICATIONS

Plastic	PC
Color	Clarity
Weight	2 g
Fixing system	2 snaps

### ENVIRONMENTAL SPECIFICATIONS

Operating temperature	-40 ~ +85° C
-----------------------	--------------

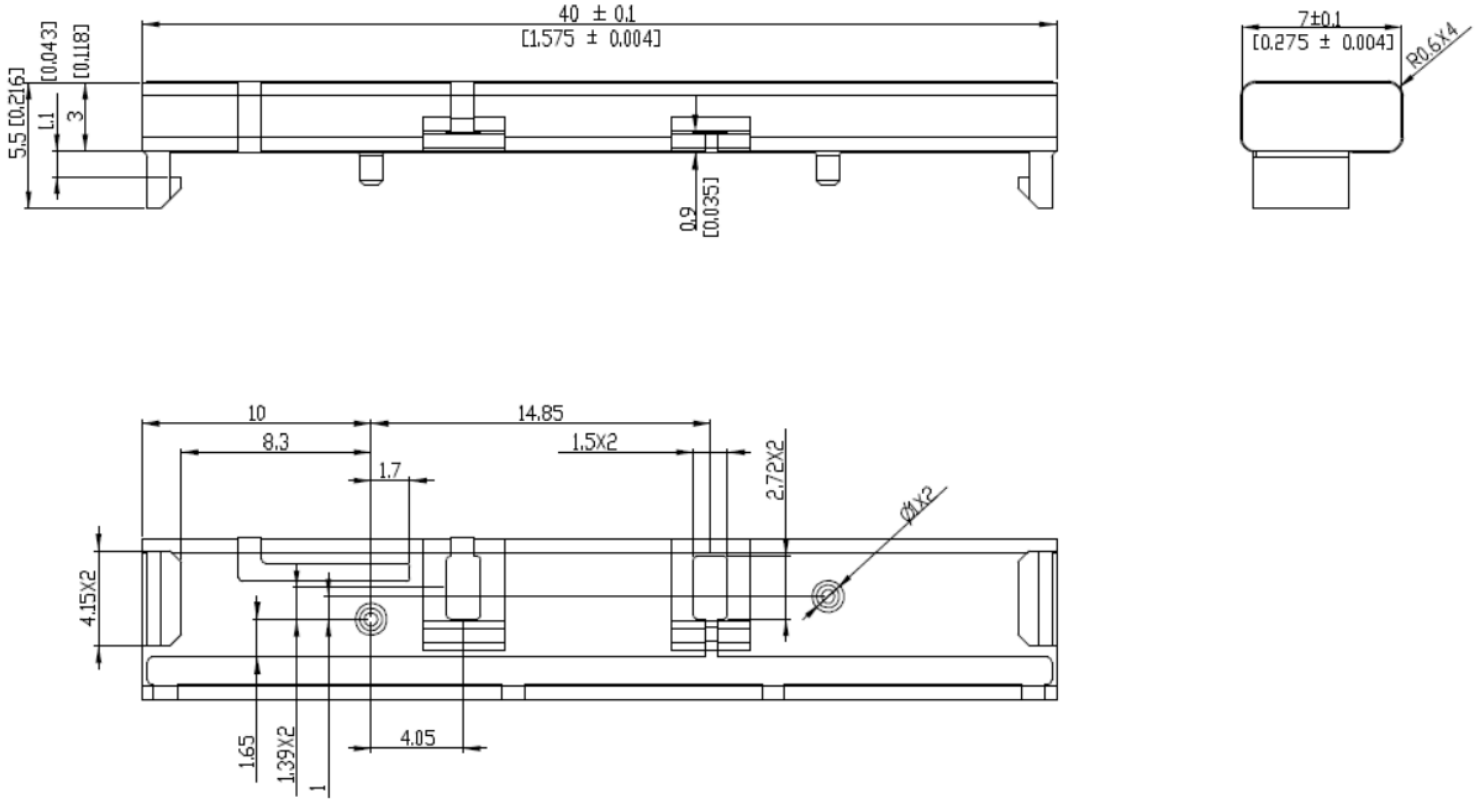
**Description:** LTE SNAP-ON ANTENNA

698-960MHz, 1427.9-1660.5MHz, 1695-2200MHz, 2300-2700MHz

**Series:** Embedded Antenna

**PART NUMBER:** CLA-W3796P

**MECHANICAL DRAWING**



Issue: 1611

In the effort to improve our products, we reserve the right to make changes judged to be necessary.

CONFIDENTIAL AND PROPRIETARY INFORMATION

This document contains confidential and proprietary information of Pulse Electronics, Inc. (Pulse) and is protected by copyright, trade secret and other state and federal laws. Its receipt or possession does not convey any rights to reproduce, disclose its contents, or to manufacture, use or sell anything it may describe. Reproduction, disclosure or use without specific written authorization of Pulse is strictly forbidden.

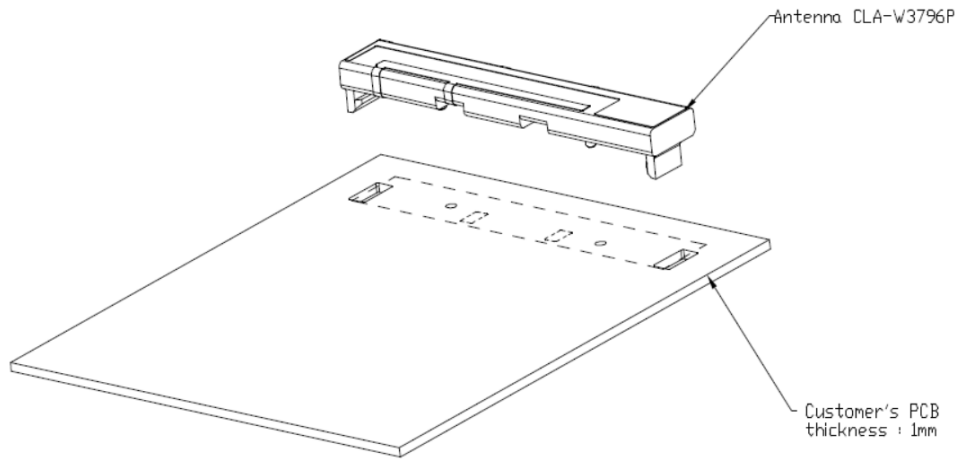
**Description:** LTE SNAP-ON ANTENNA

698-960MHz, 1427.9-1660.5MHz, 1695-2200MHz, 2300-2700MHz

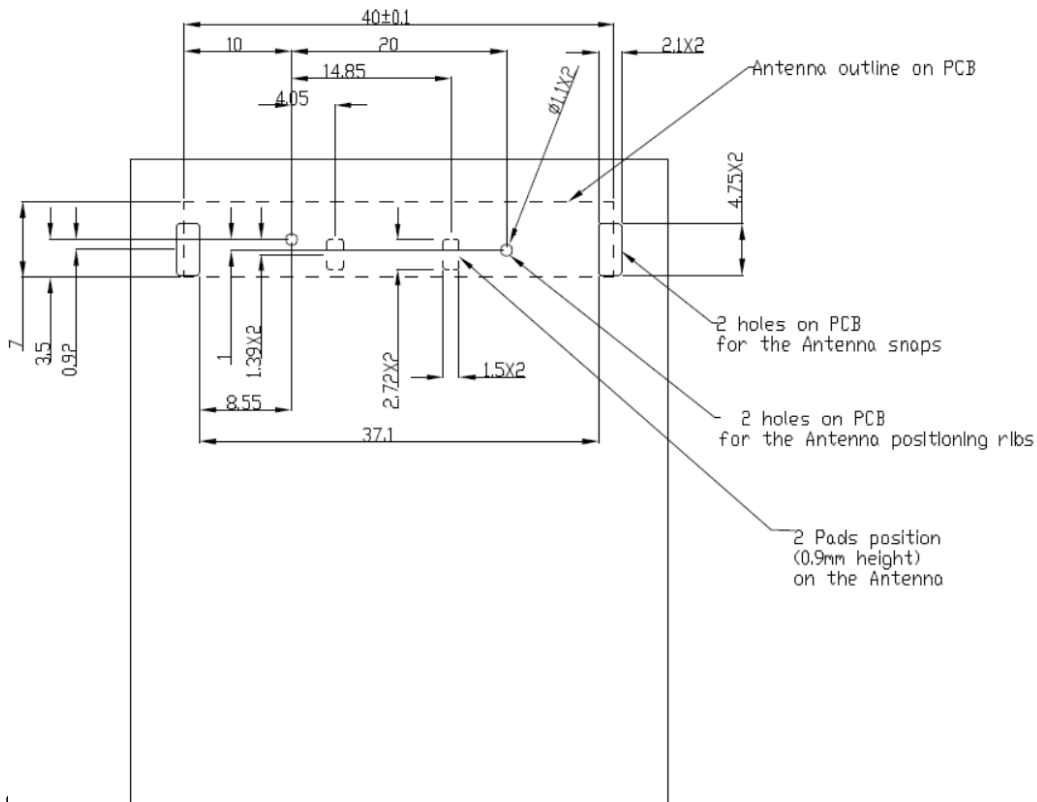
**Series:** Embedded Antenna

**PART NUMBER:** CLA-W3796P

**OTHER SPECIFICATIONS**



Antenna CLA-W3796P  
Mounting on customer's PCB by 2 snaps.



Issue: 1611

In the effort to improve  
CONFIDENTIAL AND PROPRIETARY INFORMATION

This document contains confidential and proprietary information of Pulse Electronics, Inc. (Pulse) and is protected by copyright, trade secret and other state and federal laws. Its receipt or possession does not convey any rights to reproduce, disclose its contents, or to manufacture, use or sell anything it may describe. Reproduction, disclosure or use without specific written authorization of Pulse is strictly forbidden.

**Description:** LTE SNAP-ON ANTENNA

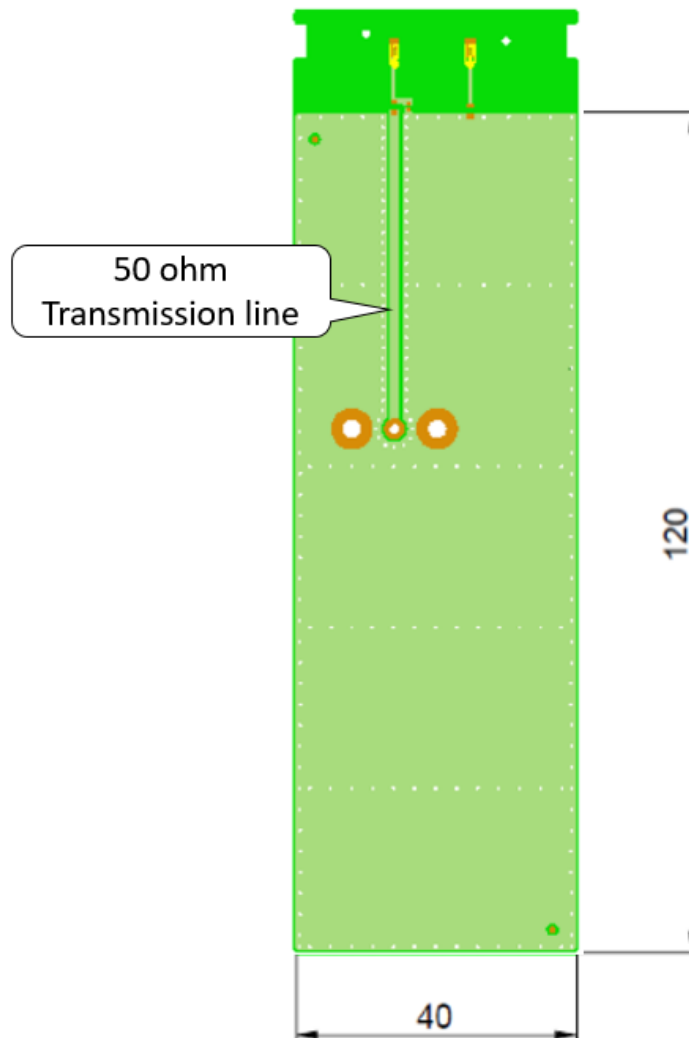
698-960MHz, 1427.9-1660.5MHz, 1695-2200MHz, 2300-2700MHz

**Series:** Embedded Antenna

**PART NUMBER:** CLA-W3796P

### OTHER SPECIFICATIONS

Pulse reference test PCB for W3796 antenna



Ground plane dimensions

Issue: 1611

In the effort to improve our products, we reserve the right to make changes judged to be necessary.

CONFIDENTIAL AND PROPRIETARY INFORMATION

This document contains confidential and proprietary information of Pulse Electronics, Inc. (Pulse) and is protected by copyright, trade secret and other state and federal laws. Its receipt or possession does not convey any rights to reproduce, disclose its contents, or to manufacture, use or sell anything it may describe. Reproduction, disclosure or use without specific written authorization of Pulse is strictly forbidden.

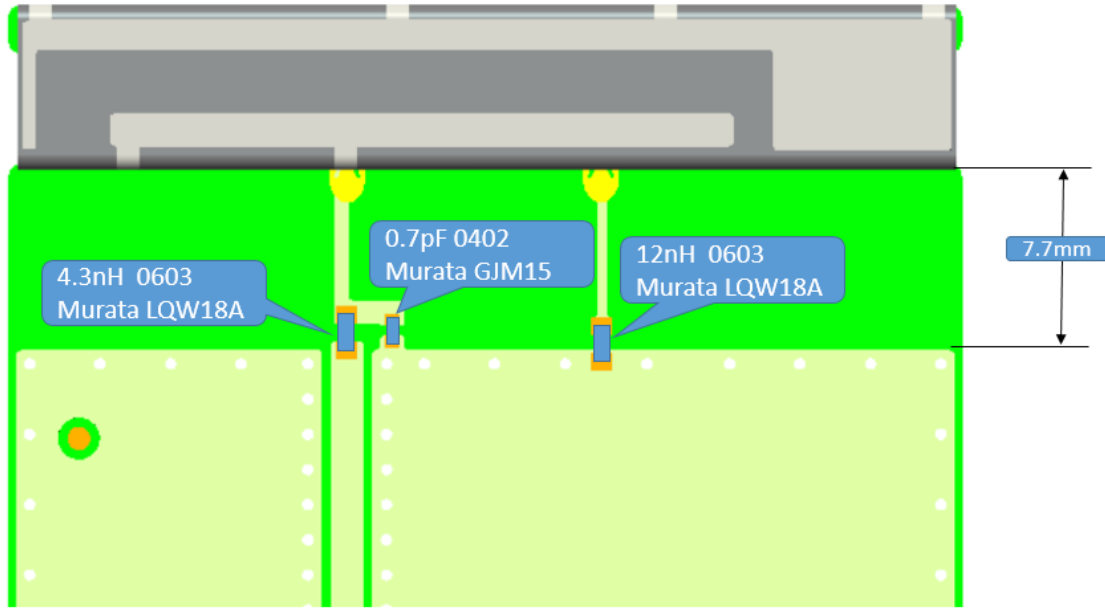
**Description:** LTE SNAP-ON ANTENNA

698-960MHz, 1427.9-1660.5MHz, 1695-2200MHz, 2300-2700MHz

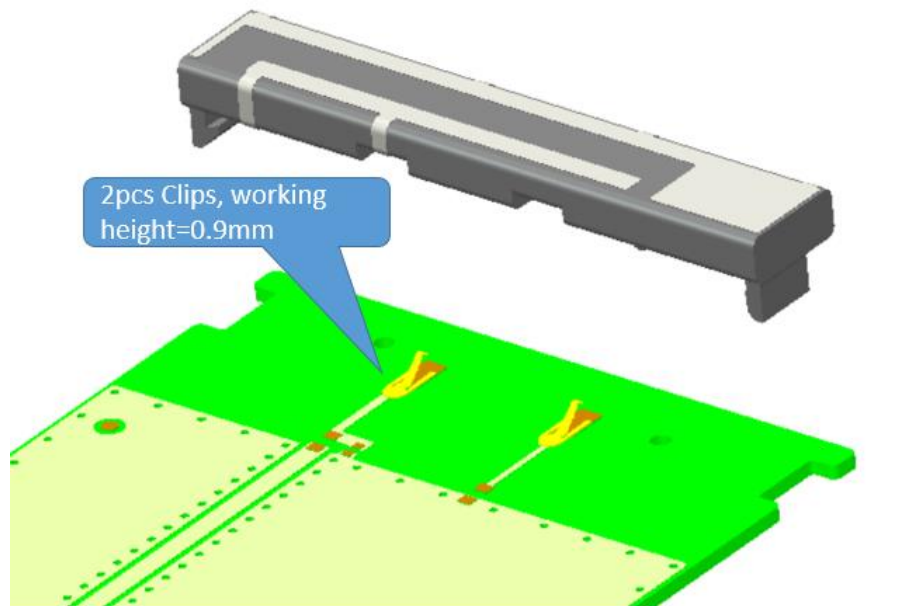
**Series:** Embedded Antenna

**PART NUMBER:** CLA-W3796P

**OTHER SPECIFICATIONS**



Ground clearance dimensions (mm) and matching component values



2 clips SMT on PCB to contact the pads on the antenna.

Issue: 1611

In the effort to improve our products, we reserve the right to make changes judged to be necessary.

CONFIDENTIAL AND PROPRIETARY INFORMATION

This document contains confidential and proprietary information of Pulse Electronics, Inc. (Pulse) and is protected by copyright, trade secret and other state and federal laws. Its receipt or possession does not convey any rights to reproduce, disclose its contents, or to manufacture, use or sell anything it may describe. Reproduction, disclosure or use without specific written authorization of Pulse is strictly forbidden.

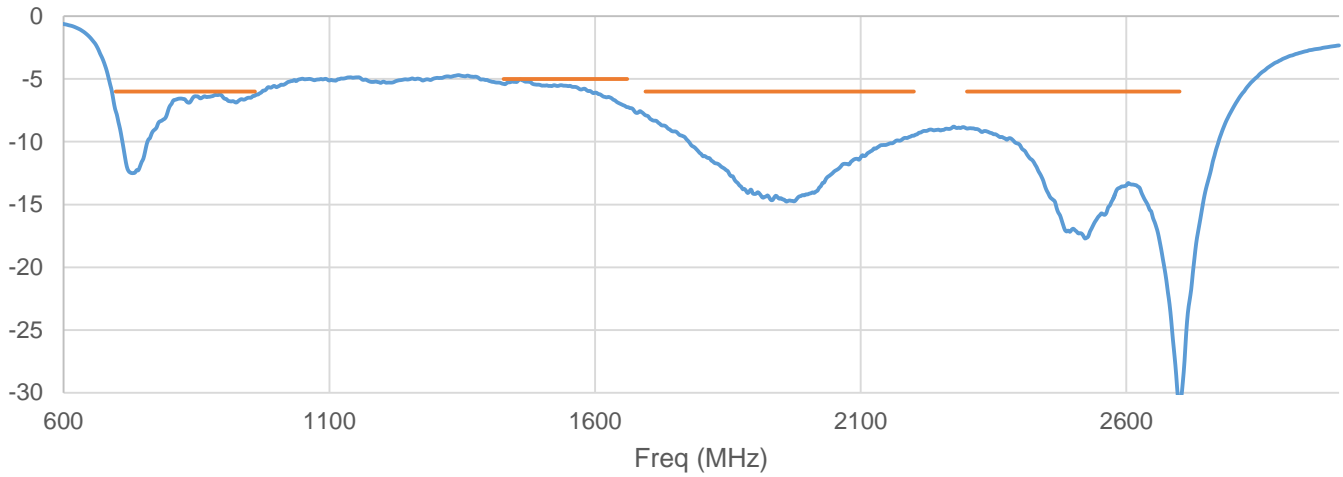
**Description:** LTE SNAP-ON ANTENNA  
 698-960MHz, 1427.9-1660.5MHz, 1695-2200MHz, 2300-2700MHz

**Series:** Embedded Antenna

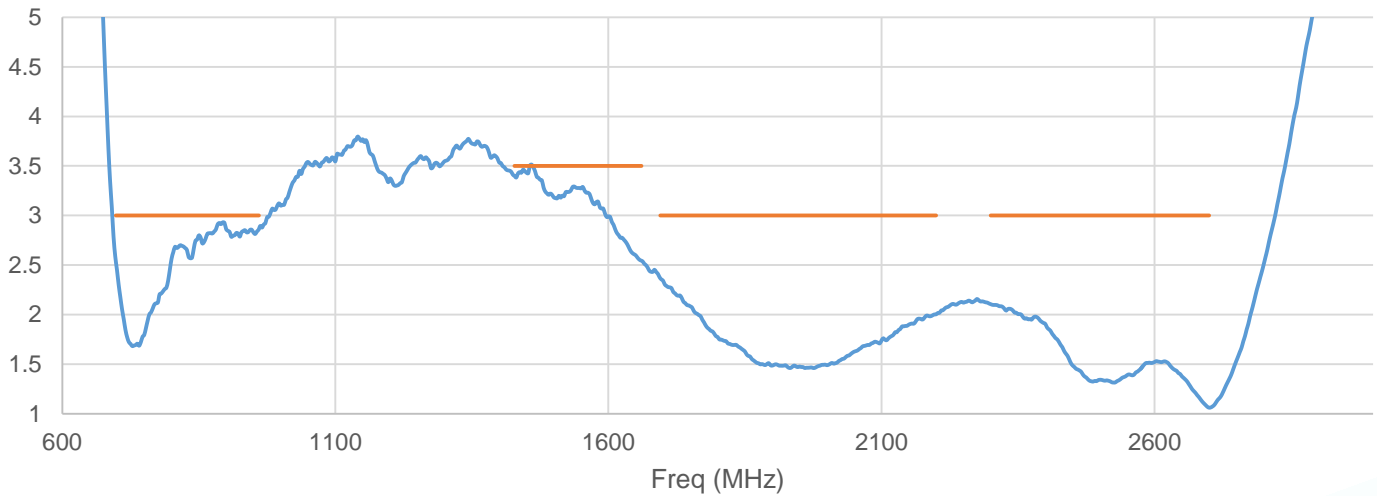
**PART NUMBER:** CLA-W3796P

**CHARTS**

Return Loss in free space



VSWR in free space



(\*) All RF parameters measured on Pulse reference test PCB

Issue: 1611

In the effort to improve our products, we reserve the right to make changes judged to be necessary.

CONFIDENTIAL AND PROPRIETARY INFORMATION

This document contains confidential and proprietary information of Pulse Electronics, Inc. (Pulse) and is protected by copyright, trade secret and other state and federal laws. Its receipt or possession does not convey any rights to reproduce, disclose its contents, or to manufacture, use or sell anything it may describe. Reproduction, disclosure or use without specific written authorization of Pulse is strictly forbidden.





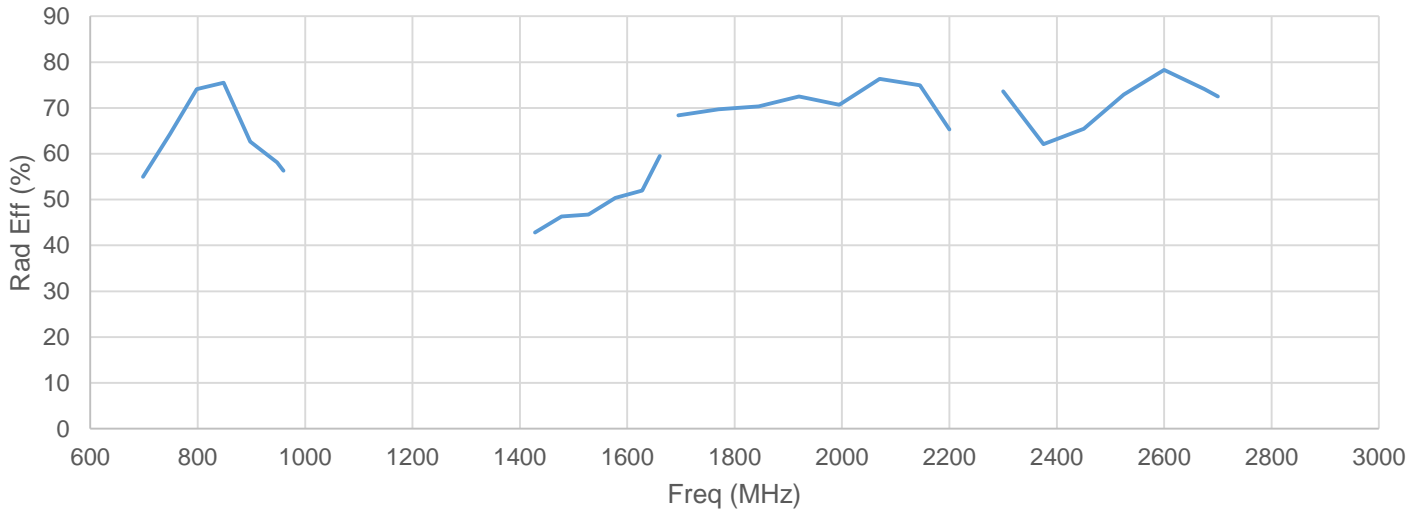
**Description:** LTE SNAP-ON ANTENNA  
 698-960MHz, 1427.9-1660.5MHz, 1695-2200MHz, 2300-2700MHz

**Series:** Embedded Antenna

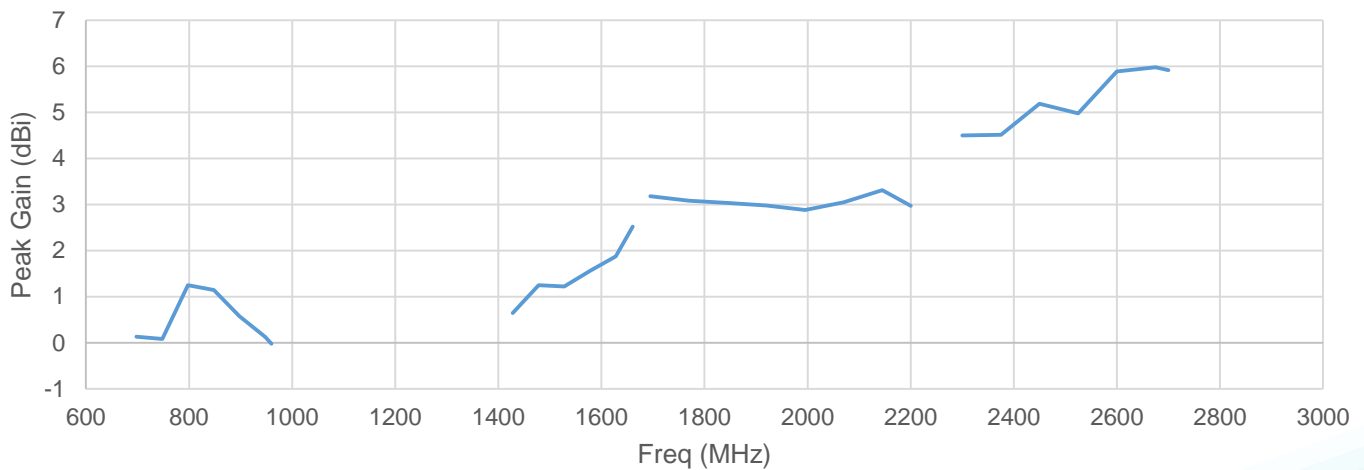
**PART NUMBER:** CLA-W3796P

**CHARTS**

Efficiency in free space



Peak Gain in free space



(\*) All RF parameters measured on Pulse reference test PCB

Issue: 1611

In the effort to improve our products, we reserve the right to make changes judged to be necessary.

CONFIDENTIAL AND PROPRIETARY INFORMATION

This document contains confidential and proprietary information of Pulse Electronics, Inc. (Pulse) and is protected by copyright, trade secret and other state and federal laws. Its receipt or possession does not convey any rights to reproduce, disclose its contents, or to manufacture, use or sell anything it may describe. Reproduction, disclosure or use without specific written authorization of Pulse is strictly forbidden.



**Description:** LTE SNAP-ON ANTENNA

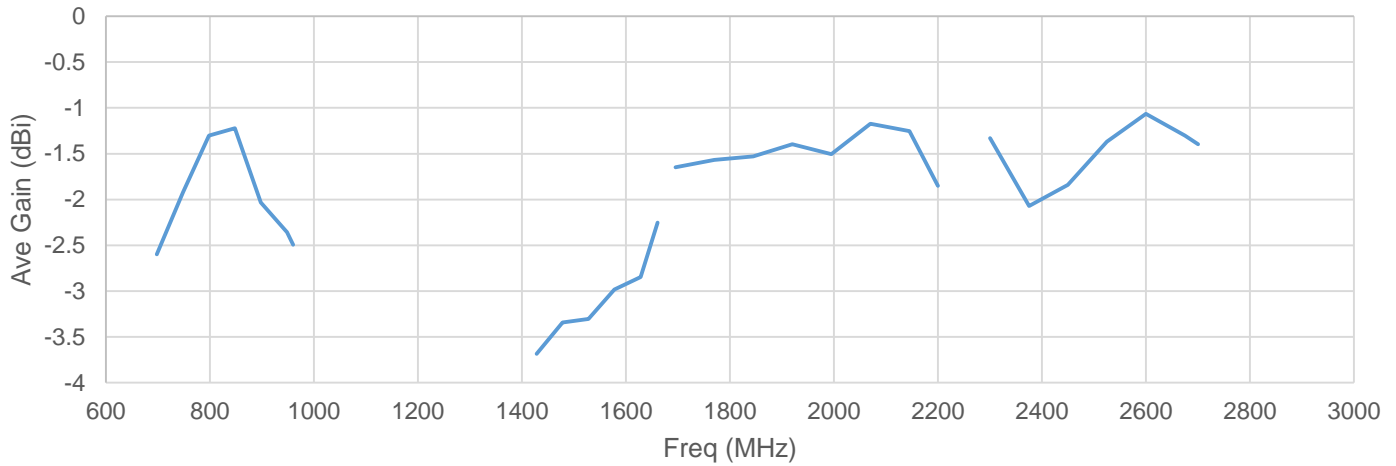
698-960MHz, 1427.9-1660.5MHz, 1695-2200MHz, 2300-2700MHz

**Series:** Embedded Antenna

**PART NUMBER:** CLA-W3796P

**CHARTS**

Average Gain in free space



(\*) All RF parameters measured on Pulse reference test PCB

Issue: 1611

In the effort to improve our products, we reserve the right to make changes judged to be necessary.

CONFIDENTIAL AND PROPRIETARY INFORMATION

This document contains confidential and proprietary information of Pulse Electronics, Inc. (Pulse) and is protected by copyright, trade secret and other state and federal laws. Its receipt or possession does not convey any rights to reproduce, disclose its contents, or to manufacture, use or sell anything it may describe. Reproduction, disclosure or use without specific written authorization of Pulse is strictly forbidden.

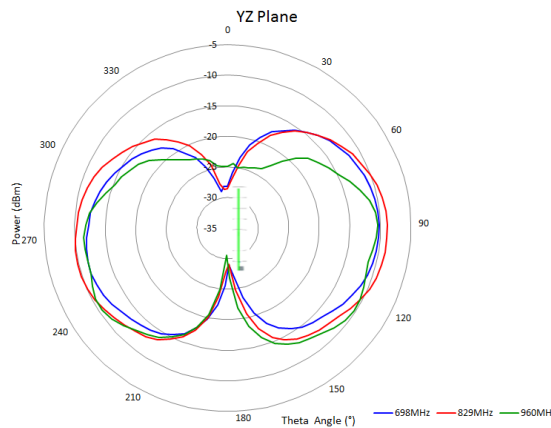
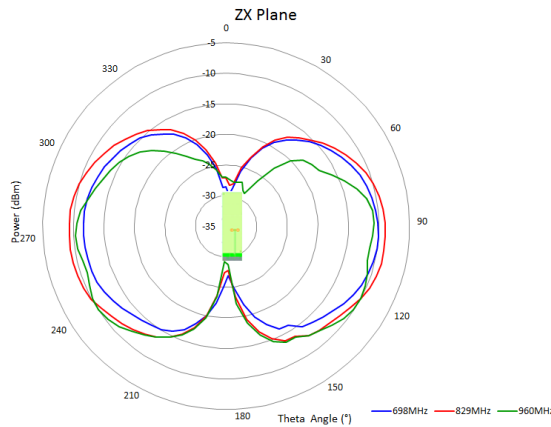
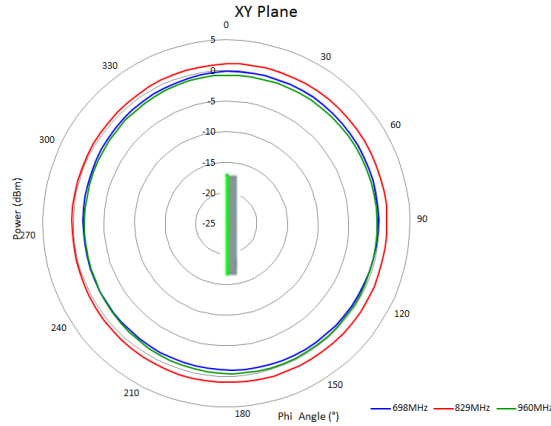
**Description:** LTE SNAP-ON ANTENNA  
 698-960MHz, 1427.9-1660.5MHz, 1695-2200MHz, 2300-2700MHz

**Series:** Embedded Antenna

**PART NUMBER:** CLA-W3796P

## CHARTS

698-960MHz



(\*) All RF parameters measured on Pulse reference test PCB

Issue: 1611

In the effort to improve our products, we reserve the right to make changes judged to be necessary.

CONFIDENTIAL AND PROPRIETARY INFORMATION

This document contains confidential and proprietary information of Pulse Electronics, Inc. (Pulse) and is protected by copyright, trade secret and other state and federal laws. Its receipt or possession does not convey any rights to reproduce, disclose its contents, or to manufacture, use or sell anything it may describe. Reproduction, disclosure or use without specific written authorization of Pulse is strictly forbidden.

**Description:** LTE SNAP-ON ANTENNA

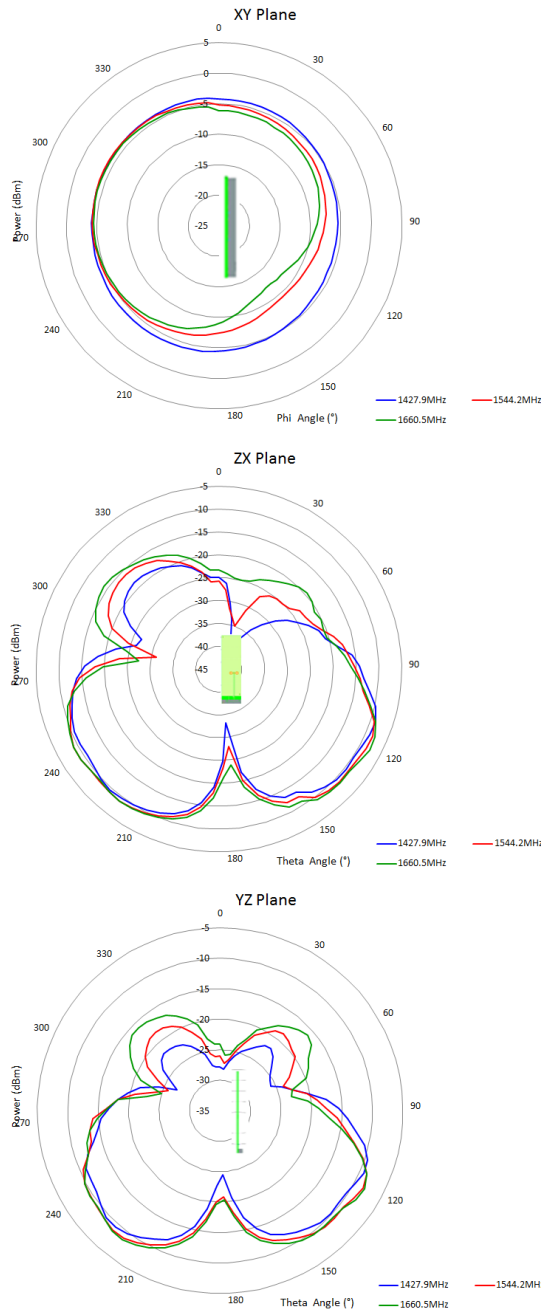
698-960MHz, 1427.9-1660.5MHz, 1695-2200MHz, 2300-2700MHz

**Series:** Embedded Antenna

**PART NUMBER:** CLA-W3796P

## CHARTS

1427.9-1660.5MHz



(\*) All RF parameters measured on Pulse reference test PCB

Issue: 1611

In the effort to improve our products, we reserve the right to make changes judged to be necessary.

CONFIDENTIAL AND PROPRIETARY INFORMATION

This document contains confidential and proprietary information of Pulse Electronics, Inc. (Pulse) and is protected by copyright, trade secret and other state and federal laws. Its receipt or possession does not convey any rights to reproduce, disclose its contents, or to manufacture, use or sell anything it may describe. Reproduction, disclosure or use without specific written authorization of Pulse is strictly forbidden.

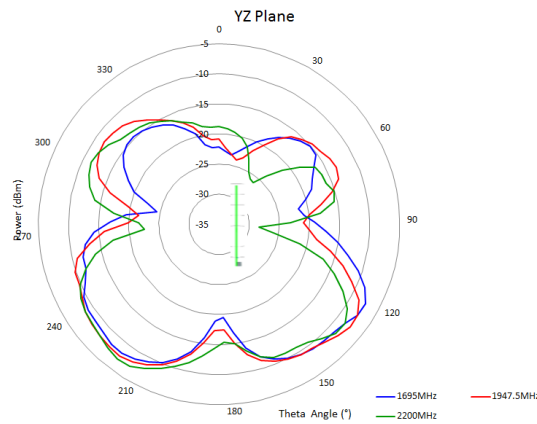
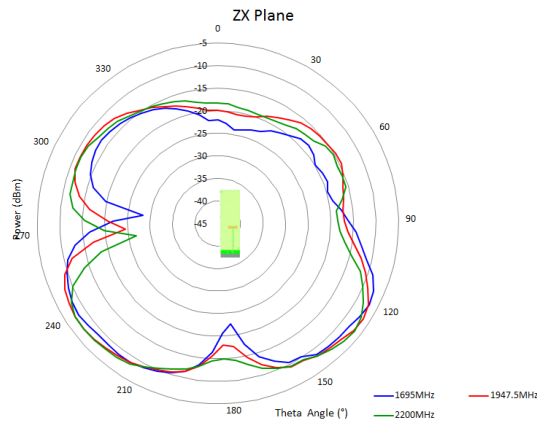
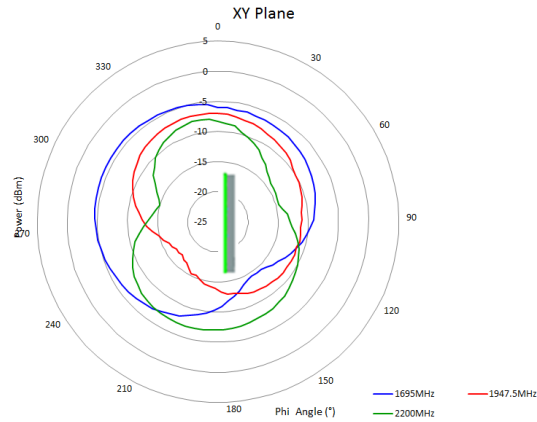
**Description:** LTE SNAP-ON ANTENNA  
698-960MHz, 1427.9-1660.5MHz, 1695-2200MHz, 2300-2700MHz

**Series:** Embedded Antenna

**PART NUMBER:** CLA-W3796P

**CHARTS**

1695-2200MHz



(\*) All RF parameters measured on Pulse reference test PCB

Issue: 1611

In the effort to improve our products, we reserve the right to make changes judged to be necessary.  
CONFIDENTIAL AND PROPRIETARY INFORMATION

This document contains confidential and proprietary information of Pulse Electronics, Inc. (Pulse) and is protected by copyright, trade secret and other state and federal laws. Its receipt or possession does not convey any rights to reproduce, disclose its contents, or to manufacture, use or sell anything it may describe. Reproduction, disclosure or use without specific written authorization of Pulse is strictly forbidden.

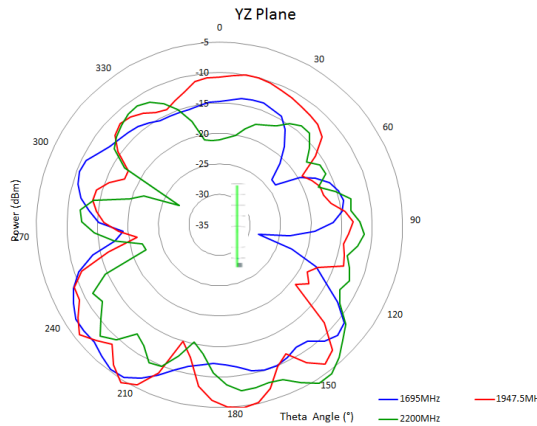
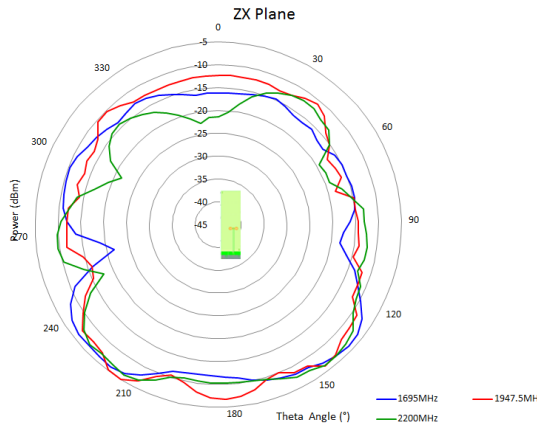
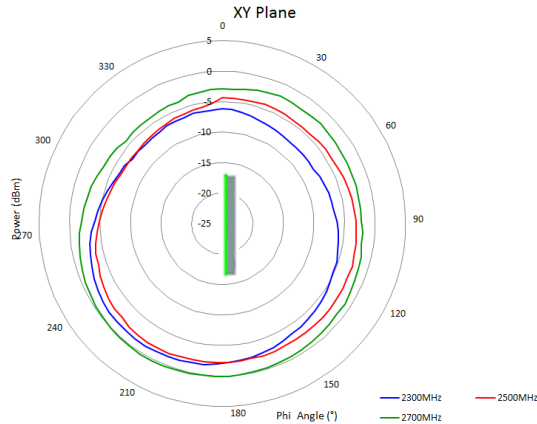
**Description:** LTE SNAP-ON ANTENNA  
698-960MHz, 1427.9-1660.5MHz, 1695-2200MHz, 2300-2700MHz

**Series:** Embedded Antenna

**PART NUMBER:** CLA-W3796P

## CHARTS

2300-2700MHz



(\* ) All RF parameters measured on Pulse reference test PCB

Issue: 1611

In the effort to improve our products, we reserve the right to make changes judged to be necessary.  
CONFIDENTIAL AND PROPRIETARY INFORMATION

This document contains confidential and proprietary information of Pulse Electronics, Inc. (Pulse) and is protected by copyright, trade secret and other state and federal laws. Its receipt or possession does not convey any rights to reproduce, disclose its contents, or to manufacture, use or sell anything it may describe. Reproduction, disclosure or use without specific written authorization of Pulse is strictly forbidden.

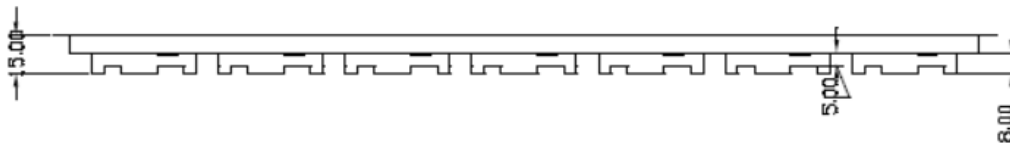
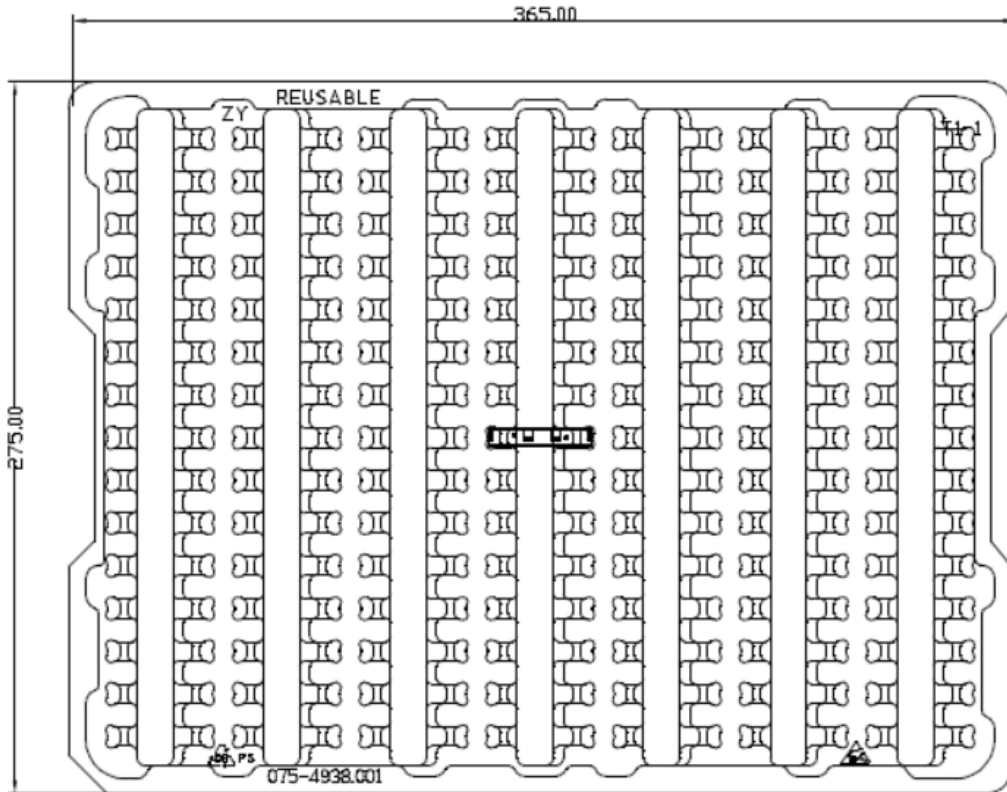
**Description:** LTE SNAP-ON ANTENNA

698-960MHz, 1427.9-1660.5MHz, 1695-2200MHz, 2300-2700MHz

**Series:** Embedded Antenna

**PART NUMBER:** CLA-W3796P

## PACKAGING



105pcs/tray

**1 tray = 105 pcs Antennas**

**1 carton = 40 trays = 4200 pcs Antennas**

(\* ) All RF parameters measured on Pulse reference test PCB

Issue: 1611

In the effort to improve our products, we reserve the right to make changes judged to be necessary.

CONFIDENTIAL AND PROPRIETARY INFORMATION

This document contains confidential and proprietary information of Pulse Electronics, Inc. (Pulse) and is protected by copyright, trade secret and other state and federal laws. Its receipt or possession does not convey any rights to reproduce, disclose its contents, or to manufacture, use or sell anything it may describe. Reproduction, disclosure or use without specific written authorization of Pulse is strictly forbidden.