

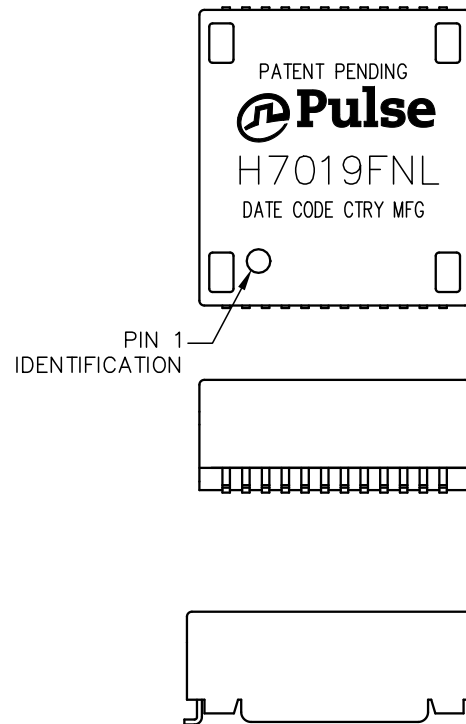


NOTES:

1. ROHS COMPLIANT
2. HEADER: THERMOSET PLASTIC MATERIAL WITH FLAMMABILITY RATING UL 94V-0 OR BETTER.
3. STORAGE TEMPERATURE: -20°C TO +125°C
4. COMPLIANCE TO J-STD:
  - A. J-STD-002: SOLDERABILITY AT 245°C REFLOW PROFILE
  - B. J-STD-020: LEVEL 1, NO MOISTURE SENSITIVE
  - C. J-STD-075: R7, 245°C MAXIMUM THROUGH REFLOW SOLDER
5. TO ORDER TAPE & REEL PACKAGING ADD A "T" SUFFIX TO THE PART NUMBER(i.e H7019FNL BECOMES H7019FNLT).

H7019FNL TUBE,SIZE: 35EA 2100/PER BOX

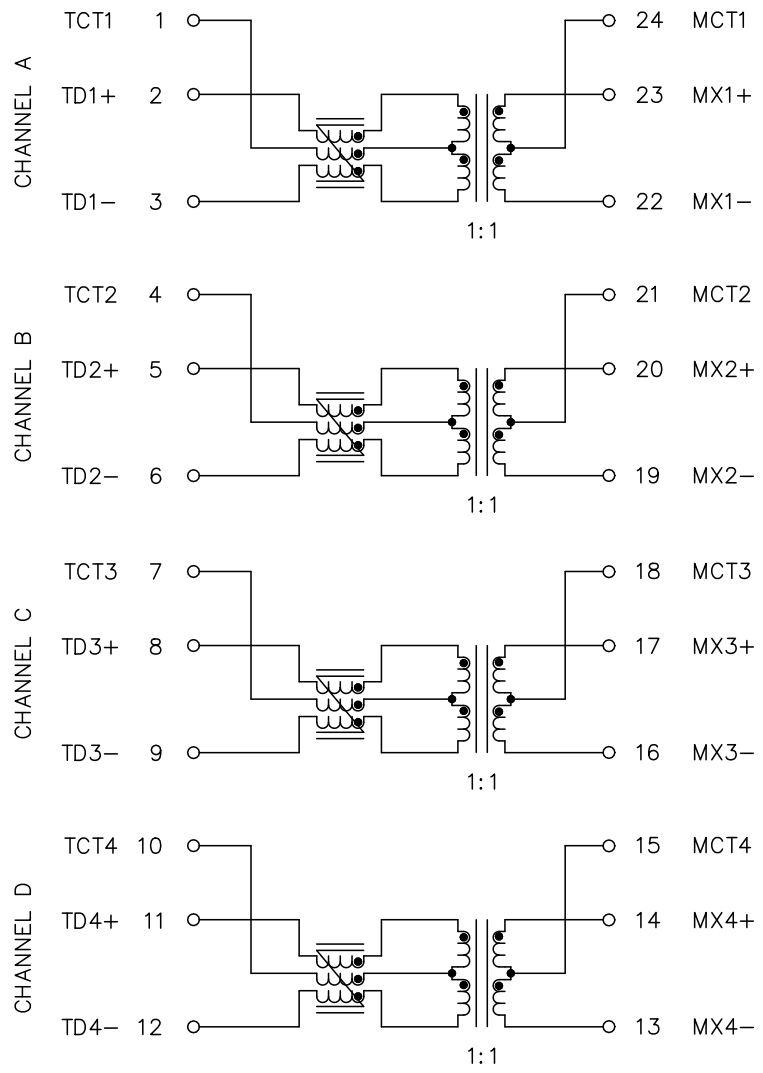
H7019FNLT TAPE AND REEL SIZE: 300EA 1800/PER BOX



FINAL OUTLINE

© Copyright, 2020. Pulse Electronics Corp. All rights reserved. Pulse confidential & proprietary. (03/19/20)

PRODUCT DESCRIPTION	TLA DRAWING	PS DRAWING	SHEET	PART NO.	DATASHEET REV.
MDL,SIN,10G,1:1,SM,TU	H7019FNL-15	PS-2746.001-A	1 OF 4	H7019FNL	A



SCHEMATIC

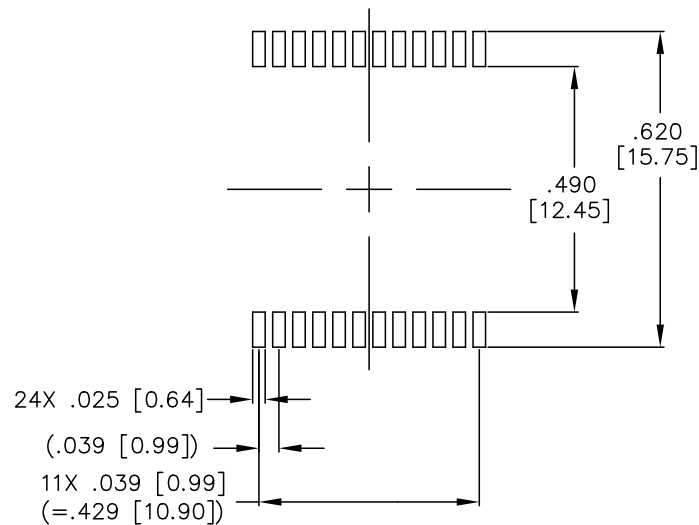
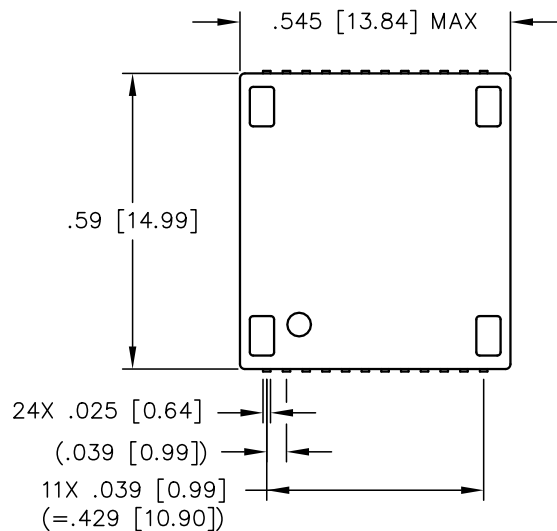
ELECTRICAL CHARACTERISTICS AT +25°C UNLESS OTHER SPECIFIED  
(FOR REFERENCE ONLY. USED FOR CUSTOMER INFORMATION.)

PARAMETER	SPECIFICATIONS		
OPERATING TEMP	0°C TO +70°C		
TURNS RATIO	1.00 ± 2%		
POLARITY	PER SCHEMATIC		
INSERTION LOSS	100 KHz	1-500 MHz	
	-3.0 dB MAX	-1.0 dB MAX (-.6 dB TYP)	
PHY-SIDE RETURN LOSS (Z OUT = 100 OHM ± 1%)	1MHz	2 MHz-100 MHz	100 MHz-200 MHz
	-22 dB MIN	-25 dB MIN	$-25 + 3 * (\frac{f - 100}{100})$ dB MIN
	$-22 + 11 * (\frac{f - 200}{200})$ dB MIN		$-11 + 3 * (\frac{f - 400}{100})$ dB MIN
INDUCTANCE (OCL)	100 uH MIN @ 100 kHz, 100 mV		
CROSSTALK, ADJACENT CHANNELS	1-100 MHz	100-500 MHz	
	-40 dB MIN	-30 dB MIN	
COMMON MODE REJECTION RATIO	1-100 MHz	100-300 MHz	300-500 MHz
	-35 dB MIN	-30 dB MIN	-25 dB MIN
	1-250 MHz		250-500 MHz
COMMON TO DIFFERENTIAL MODE REJECTION (CDMR)	-30 dB MIN		-22 dB MIN
	INPUT - OUTPUT ISOLATION		
1500 VRMS MIN @ 60 SECONDS			

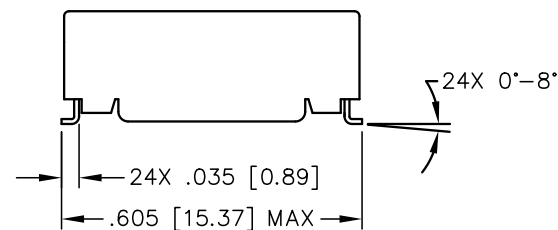
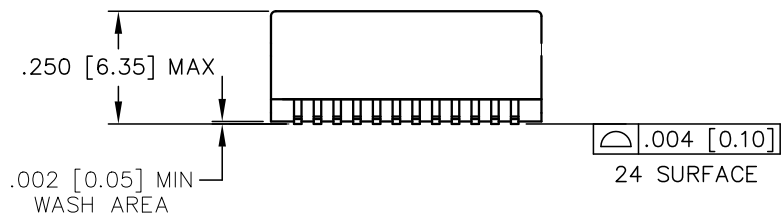
NOTE: f IS FREQUENCY IN MHz.

© Copyright, 2020. Pulse Electronics Corp. All rights reserved. Pulse confidential & proprietary. (03/19/20)

PRODUCT DESCRIPTION	TLA DRAWING	PS DRAWING	SHEET	PART NO.	DATASHEET REV.
MDL,SIN,10G,1:1,SM,TU	H7019FNL-15	PS-2746.001-A	2 OF 4	H7019FNL	A



SUGGESTED LAND PATTERN



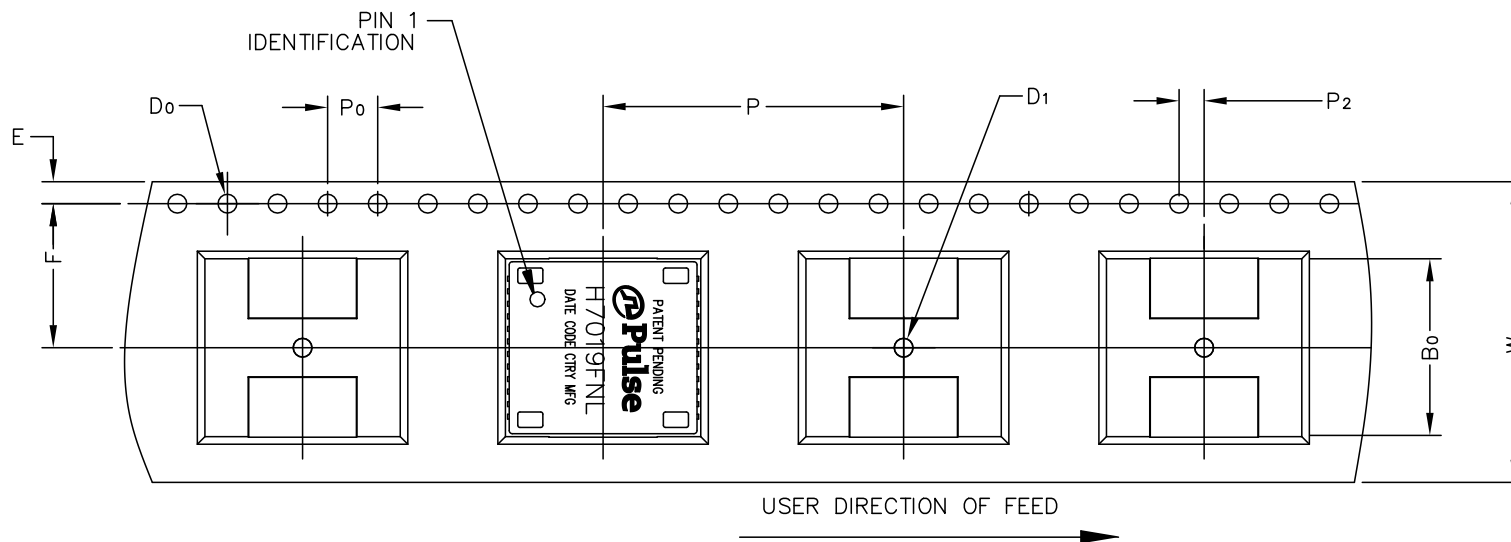
DIMENSIONS ARE IN INCHES [MILLIMETERS] WITH THE FOLLOWING TOLERANCES: [MILLIMETERS] ARE FOR REFERENCE ONLY.  
.XX= ±.02 [±0.50]  
.XXX= ±.010 [±0.25]

© Copyright, 2020. Pulse Electronics Corp. All rights reserved. Pulse confidential & proprietary. (03/19/20)

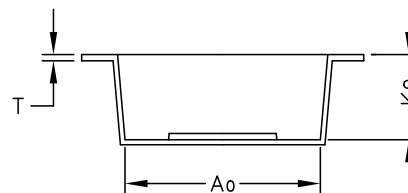
PRODUCT DESCRIPTION	TLA DRAWING	PS DRAWING	SHEET	PART NO.	DATASHEET REV.
MDL,SIN,10G,1:1,SM,TU	H7019FNL-15	PS-2746.001-A	3 OF 4	H7019FNL	A



NOTE: PACK 300 PIECES PER REEL



ITEM	W	A0	B0	K0	K1	P	F	E	DO	D1	P0	P2	T
DIM	24.00 <sup>+0.30</sup>	15.6 <sup>+0.10</sup>	14.2 <sup>+0.10</sup>	6.80 <sup>+0.10</sup>	24.0 <sup>+0.10</sup>	11.50 <sup>+0.10</sup>	1.75 <sup>+0.10</sup>	1.50 <sup>+0.10</sup>	1.50 <sup>+0.10</sup>	4.00 <sup>+0.10</sup>	2.00 <sup>+0.10</sup>	0.40 <sup>+0.05</sup>	



ALL DIMENSIONS ARE IN MM, UNLESS OTHERWISE SPECIFIED,  
ALL RADII MUST BE R0.2~0.3 MM.  
TOLERANCES ARE ±0.10

© Copyright, 2020. Pulse Electronics Corp. All rights reserved. Pulse confidential & proprietary. (03/19/20)

PRODUCT DESCRIPTION	TLA DRAWING	PS DRAWING	SHEET	PART NO.	DATASHEET REV.
MDL,SIN,10G,1:1,SM,TU	H7019FNL-15	PS-2746.001-A	4 OF 4	H7019FNL	A