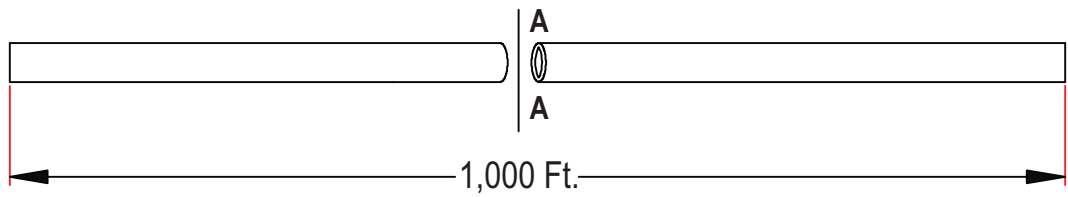


1 2 3 4 5 6 7

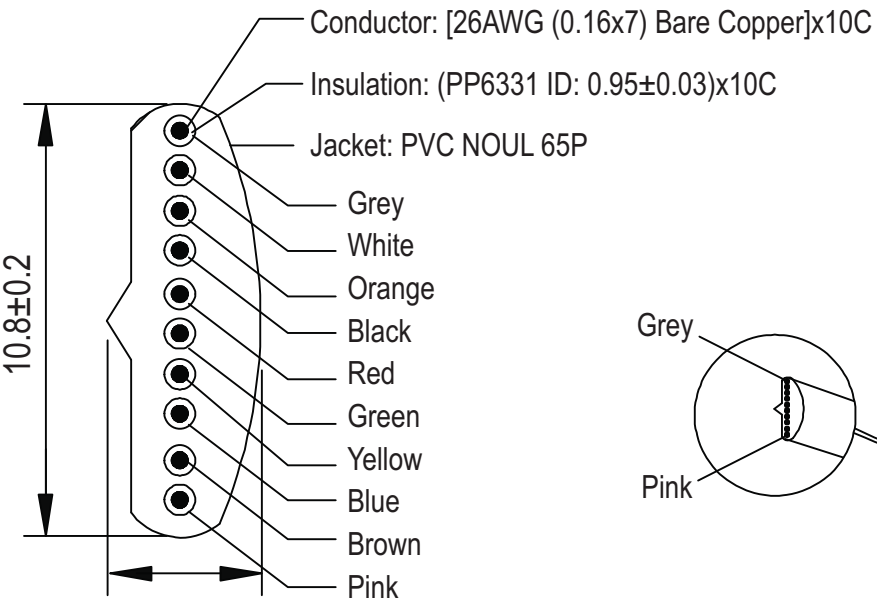
A

A



B

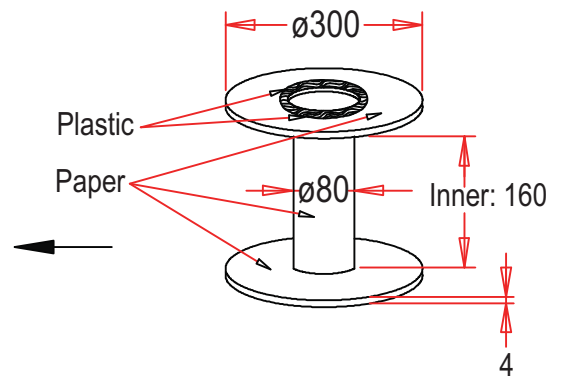
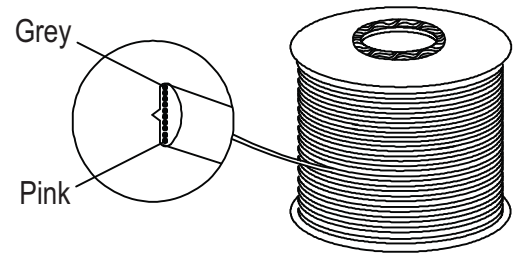
B



10.8±0.2

2.4±0.2

Sec: A - A



1,000Ft/R. "PE" Foam Wrapped

Unit: MM

G

G

| | | | | | | | |
|--------------|-------|--|--|------|------|----------|----------|
| Scale | 1:1 | | | | | | Name |
| TOLERANCE | | | | | | Drawn | 12.19.11 |
| X.X | ±0.40 | | | | | Approved | Chappell |
| X.XX | ±0.25 | | | | | | |
| X.XXX | ±0.15 | | | | | | |
| Angle | ±3° | | | | | | |
| Modification | | | | Date | Name | | |

| | |
|-------------|----------------------------|
| Item No. | AT-K-26-10-S/1000-R |
| Title | |
| Drawing No. | |
| Replace | rev00 |
| Sheet | |

H

H



1 2 3 4 5 6 7