

1

2

3

4

5

6

7

A

B

C

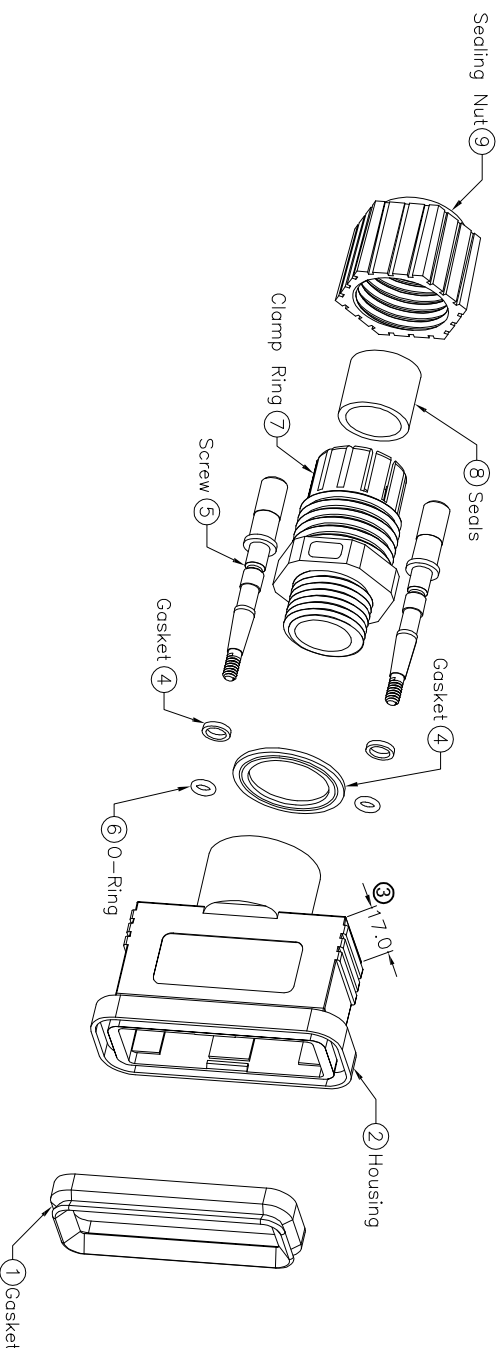
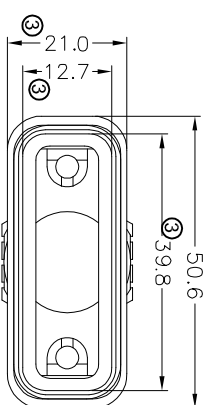
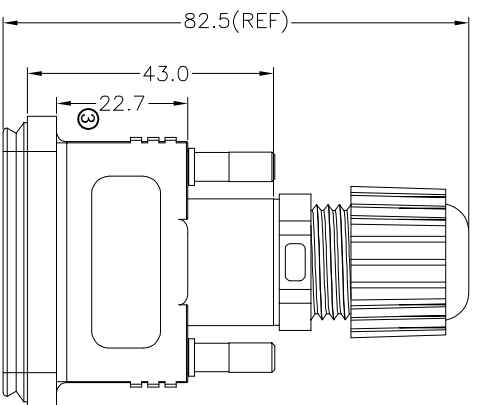
D

E

F

G

H



NOTES:

1. Waterproof rate: IP67
2. Gasket: EPDM Black
3. Housing: ABS Black
4. Screw: Brass
5. O-ring: Silicone Clear
6. Body: Nylon Black
7. Sealing Nut: Nylon Black
8. Seals for Cable OD: $\phi 6.0\text{mm} - \phi 10.0\text{mm}$
9. One Set Unassembled in One Zipper Bag(#4)

ROHS compliant
Unit: mm

Scale	Free	Customer-No.	
TOLERANCE		Drawn	08.01.2009
		Approved	03.04.2018
UNIT	± 0.5		
DIM	TOL		
Angle	TOL		

Id.	Modification	Date	Name
①	Drawn	08.01.2009	JACK
②	Modify drawing	25.12.2009	Dean
③	Correct dimensions and add "A" logo	27.07.2017	Amy
④	Cancel "A" logo	03.04.2018	Tom

Date	Name	Customer-No.
08.01.2009	JACK	ASSMANN WSW-No.
03.04.2018	Amy	A-HOOD-15/26

Drawing-No.	Replace	Sheet
ASS 3304 CO	Replace	rev04

1

2

3

4

5

6

7

A

B

C

D

E

F

G

H