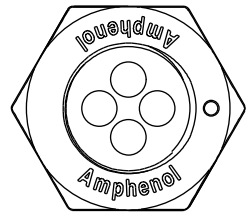


THIS DOCUMENT IS SUBJECT TO CHANGE WITHOUT NOTICE. IT IS CONFIDENTIAL AND A PROPERTY OF Amphenol LTW. DISCLOSURE TO THIRD PARTY HAS TO BE AUTHORIZED BY Amphenol LTW.

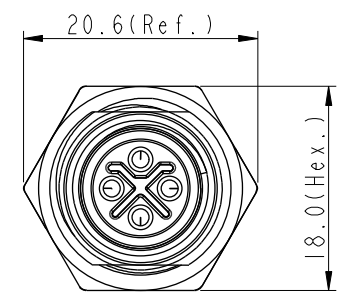
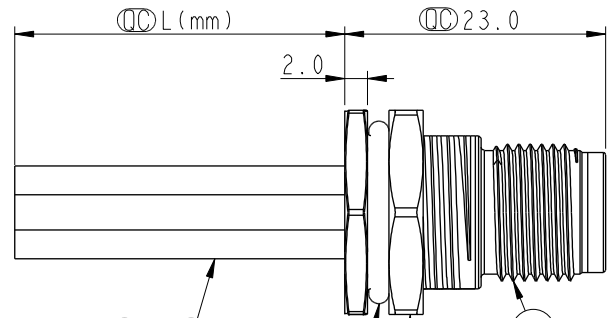
A L T W  
CONFIDENTIAL  
2019-09-19  
R&D DEPT.

REV.	ECN NO.	DATE	SIGN	DESCRIPTION
A	Initial Release	2015/09/07	Cary	Change Rev. 01 to Rev.A
B	LE317A0005	2017/10/09	Feng_Li	Update The Note
C	CI91643	2019/09/19	Vicky	Update Wire Tolerance

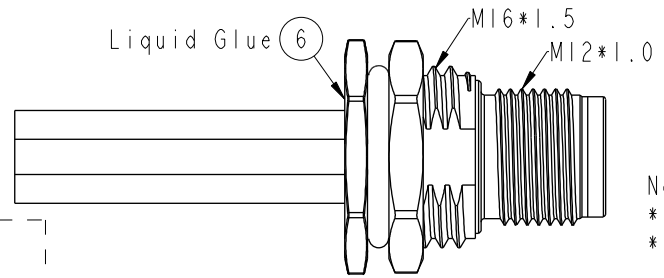


M12S-04PMMS-SF8CXX  $\triangle C$

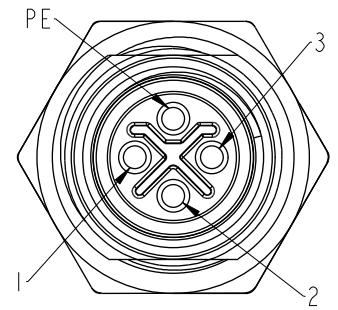
15:150mm  
20:200mm  
95:950mm  
Cable Pitch Unit:50mm  
A0:1000mm  
A5:1500mm  
Cable Pitch Unit:100mm  
Wire Length(L):150~1500mm



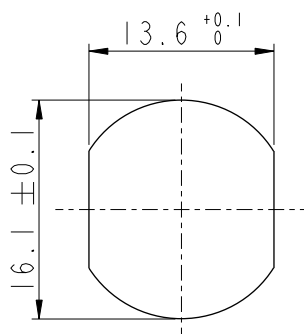
Wire Harness (10)~(7)  
O-Ring (4)  
Screw Nut (5)  
Connector (1)  
Male Pin (2)  
Shield (3)



Note:  
 \*  $\circ$  Important Dimension.  
 \* Waterproof Rate:IP68.  
 IP68:1M Depth Of Water In 24hours.  
 $\triangle B$  \* Housing:Nylon+GF,UL94V-0,Black.  
 \* Male Pin:Copper Alloy,Gold Plated.  
 \* Shield:Zinc Alloy,Nickel Plated.  
 \* Panel Nut:Zinc Alloy,Nickel Plated.  
 \* O-Ring: Viton,Black.  
 \* Wire Harness: UL1015 16AWG(1.5mm<sup>2</sup>).  
 \* Rated Voltage: 630V AC  
 \* Rated Current at 40°C: 12A  
 \* Operation Temperature: -40~85°C.  
 \* For Panel Thickness Max 4.5mm.  
 \* Nut Torque:4-6 Kgf.cm(0.4~0.6N.m).  
 \* Wire harness Tolerance: 150~300  $\pm$ 15mm  
 301~1000  $\pm$ 20mm  
 $\triangle C$  Over1000 +50/-0mm



Pin Assignment  
Front View



Recommended  
Panel Cut-Out

PE	Black	黑
3	Blue	藍
2	White	白
1	Brown	棕
Conn.	Wire Color	
	Pin Out	

UNIT:mm		
TOLERANCE	.X $\pm$ 0.25	
	.XX $\pm$ 0.1	
	.XXX $\pm$ 0.05	
ANGLES	$\pm$ 1°	

TITLE M12 S-Code 4Pin Male Type			
SCALE 1:1	SIZE A4	SHEET 1 OF 1	
REV. C	WC-REV. A.2	$\circ$ Inspection item	

**Amphenol LTW**  
安費諾亮泰企業股份有限公司

ITEM NO	DRAWN BY Vicky	DATE 2019-09-19
DWG NO M12S-04PMMS-SF8CXX	CHECKED BY Rita	DATE 2019-09-19
CUSTOMER ALTW	APPROVED BY Max	DATE 2019-09-19