

## Type 2 surge protection plug - VAL-US 277 ST - 2800741

Please be informed that the data shown in this PDF Document is generated from our Online Catalog. Please find the complete data in the user's documentation. Our General Terms of Use for Downloads are valid (<http://phoenixcontact.com/download>)



Surge protection connector type 2 with high-capacity varistor for VAL-MS base element, thermal monitoring, visual fault warning. Design: 277 V AC

The figure shows the VAL-US 347 ST version



### Key commercial data

|                                      |          |
|--------------------------------------|----------|
| Packing unit                         | 1 pc     |
| Weight per Piece (excluding packing) | 50.0 GRM |
| Custom tariff number                 | 85363090 |
| Country of origin                    | Germany  |

### Technical data

#### Dimensions

|        |         |
|--------|---------|
| Height | 52.4 mm |
| Width  | 17.5 mm |
| Depth  | 55.3 mm |

#### Ambient conditions

|   |  |
|---|--|
| Degree of protection                    | IP20                                   |
| Ambient temperature (operation)         | -40 °C ... 80 °C                       |
| Ambient temperature (storage/transport) | -40 °C ... 80 °C                       |
| Altitude                                | ≤ 2000 m (amsl (above mean sea level)) |
| Permissible humidity (operation)        | 5 % ... 95 %                           |
| Shock (operation)                       | 25g                                    |
| Vibration (operation)                   | 5g                                     |

#### General

## Type 2 surge protection plug - VAL-US 277 ST - 2800741

### Technical data

#### General

|  |                       |
|--|-----------------------|
| Standards/specifications                                       | IEC 61643-11 2011     |
|  | EN 61643-11 2012      |
| IEC test classification  | II                    |
|  | T2                    |
| EN type  | T2                    |
| SPD design   | Voltage-limiting type |
| Mode of protection   | L-PEN                 |
|  | L-N                   |
| Mounting type  | On base element       |
| Color  | black                 |
| Housing material   | PA 6.6                |
| Pollution degree   | 2                     |
| Inflammability class according to UL 94                        | V-0                   |
| Type   | Male                  |
| Number of positions  | 1                     |
| Arrester can be tested with CHECKMASTER from software version: | From SW rev. 1.10     |
| Surge protection fault message                                 | Optical               |

#### Protective circuit

|  |                                     |
|--|-------------------------------------|
| Nominal voltage $U_N$                              | 240/415 V AC (TN)                   |
|  | 240/415 V AC (TT)                   |
| Nominal frequency $f_N$                            | 60 Hz (50 Hz)                       |
| Maximum continuous operating voltage $U_C$         | 385 V AC                            |
| Residual current $I_{PE}$                          | $\leq 0.45$ mA                      |
| Standby power consumption $P_C$                    | $\leq 175$ mVA                      |
| Nominal discharge current $I_n$ (8/20) $\mu$ s     | 20 kA                               |
| Maximum discharge current $I_{max}$ (8/20) $\mu$ s | 40 kA                               |
| Short-circuit current rating $I_{SCCR}$            | 25 kA                               |
| Voltage protection level $U_p$                     | $\leq 1.8$ kV                       |
| Residual voltage $U_{res}$                         | $\leq 1.8$ kV (at $I_n$ )           |
|  | $\leq 1.6$ kV (at 10 kA)            |
|  | $\leq 1.4$ kV (at 5 kA)             |
|  | $\leq 1.3$ kV (at 3 kA)             |
| TOV behavior at $U_T$                              | 415 V AC (5 s / withstand mode)     |
|  | 440 V AC (120 min / withstand mode) |
| Response time $t_A$                                | $\leq 25$ ns                        |
| Max. backup fuse with branch wiring                | 125 A AC (gG)                       |

# Type 2 surge protection plug - VAL-US 277 ST - 2800741

## Technical data

### NEMA/UL protective circuit

|   |                                    |
|---|------------------------------------|
| UL class  | Type 4 SPD for Type 2 applications |
| Maximum continuous operating voltage MCOV (L-N) | 385 V AC                           |
| Nominal voltage $U_N$                           | 277 V AC                           |
| Mode of protection                              | L-N                                |
| Power distribution system                       | 1                                  |
| Nominal frequency                               | 50/60 Hz                           |
| Voltage protection rating VPR (L-N)             | 1.5 kV                             |
| Nominal discharge current $I_n$ (L-N)           | 20 kA                              |

## Classifications

### eCl@ss

|            |          |
|------------|----------|
| eCl@ss 4.0 | 27140201 |
| eCl@ss 4.1 | 27130801 |
| eCl@ss 5.0 | 27130801 |
| eCl@ss 5.1 | 27130801 |
| eCl@ss 6.0 | 27130803 |
| eCl@ss 7.0 | 27130803 |
| eCl@ss 8.0 | 27130803 |

### ETIM

|          |          |
|----------|----------|
| ETIM 3.0 | EC000472 |
| ETIM 4.0 | EC000472 |
| ETIM 5.0 | EC000472 |

### UNSPSC

|               |          |
|---------------|----------|
| UNSPSC 6.01   | 30212010 |
| UNSPSC 7.0901 | 39121610 |
| UNSPSC 11     | 39121610 |
| UNSPSC 12.01  | 39121610 |
| UNSPSC 13.2   | 39121620 |

## Approvals

### Approvals

---

Approvals

UL Recognized / cUL Recognized / CSA / cULus Recognized

# Type 2 surge protection plug - VAL-US 277 ST - 2800741

## Approvals

Ex Approvals

Approvals submitted

## Approval details

UL Recognized

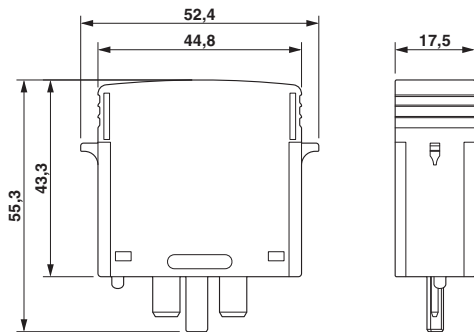
cUL Recognized

CSA

cULus Recognized

## Drawings

Dimensioned drawing



Circuit diagram

