

**Sales Outline Drawing**

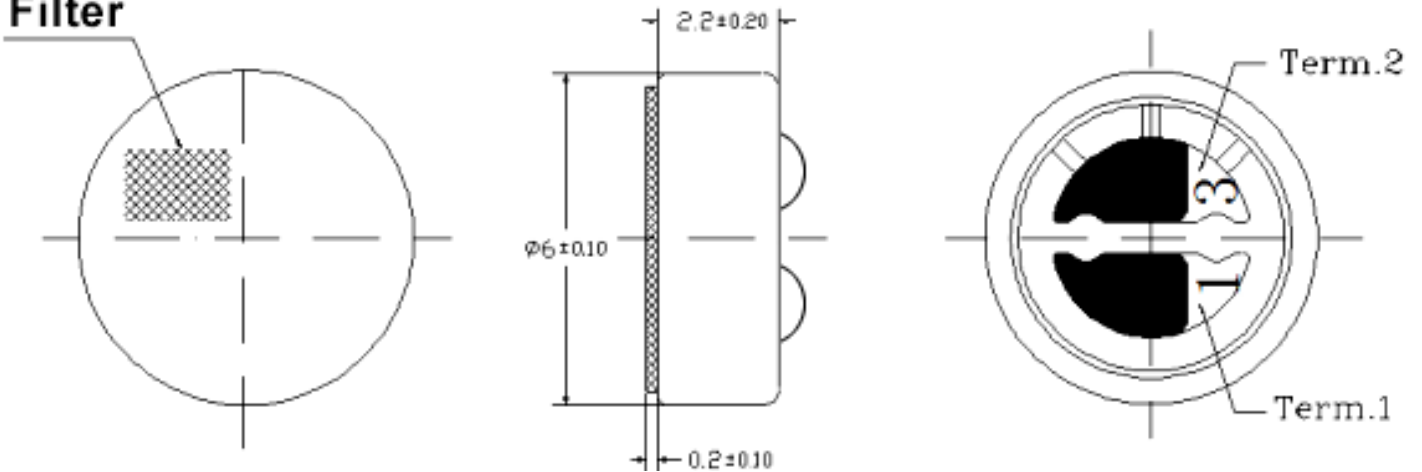
**Specifications:**

Sensitivity Range	-42 ± 3 dB $R_L = 2.2\text{ k}\Omega$ $V_{cc} = 2.0\text{v}$ (1 kHz 0 dB = 1 v/Pa)
Impedance	Max. 2.2k $\Omega$ 1 kHz ( $R_L = 2.2\text{ k}\Omega$ )
Frequency	20 - 16000 Hz
Current Consumption	Max 0.5 mA
Operating Voltage Range	1.0 – 10 V
Max SPL (dB)	120 dB
S/N Ration	More than 58 dB
Sensitivity Reduction	2.0 –1.5V Variation less than 3 dB
Storage Condition	-45 ~ +75°C; R.H. < 90%
Operating Condition	-10 ~ +45°C; R.H. < 90%
Weight (g)	0.3
Options	For other options contact factory

**Dimensions:** (units: mm)

ROHS Compliant

**Filter**



**Schematic Diagram:**

