

**Sales Outline Drawing**

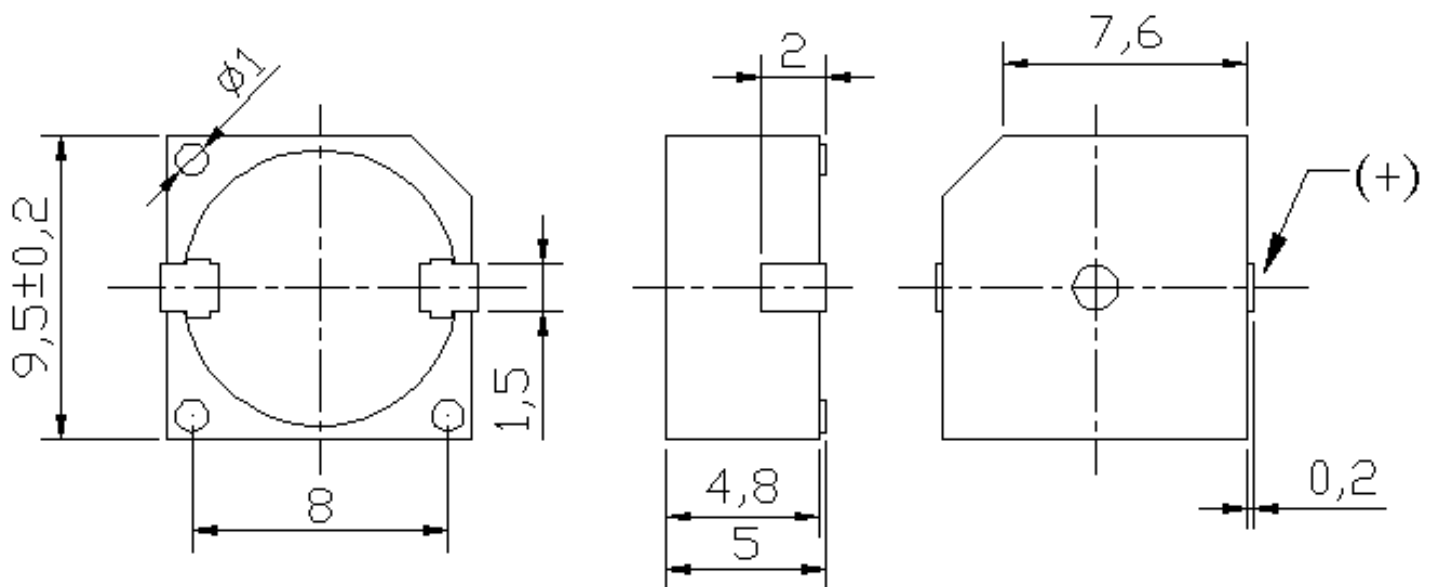
**May not be suitable for all medical and aerospace applications.**

**Specifications: Contact Mallory Sonalert to discuss your application.**

Oscillation Frequency (Hz)	2700 ± 300
Operating Voltage (Vdc)	3.0 ~ 7.0
Rated Voltage (Vdc)	5.0
Current Consumption Max. (mA)	30 at Rated Voltage
Sound Pressure Level (dB/min)	80 at 10cm at Rated Voltage
Tone/Pulse Rate	Constant
Operating Temperature (°C)	-20 ~ +70
Storage Temperature (°C)	-30 ~ +80
Lead Pin	SMD
Housing	PPS Plastic Resin (Black)
Condition by reflow soldering (°C)	250 ± 5 / within 5 sec
Condition by hand soldering (°C)	350 ± 20 / within 5 sec
Weight (Grams)	2.5
Options	For other options contact factory

**Dimensions:** (units: mm)

**ROHS Compliant**

**Packaging:**

Parts are supplied on Cut-Tape.

Units do not come with wash label and are not appropriate for aqueous wash.