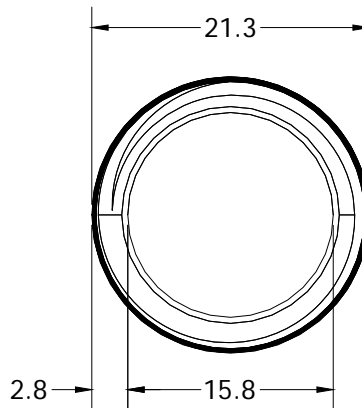
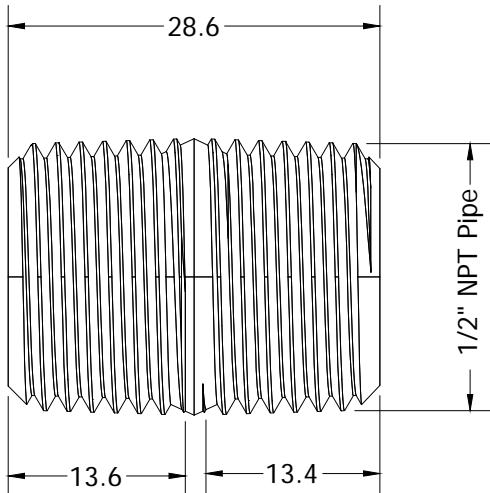
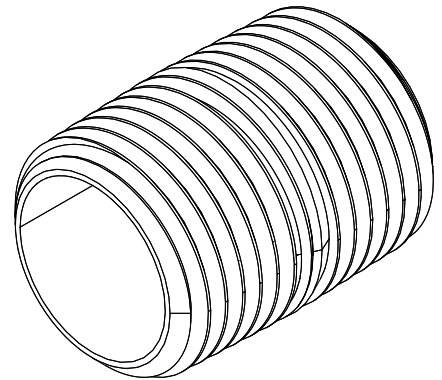


Threaded Pipe 21.4 x 28.6

Dimensions: mm

Assembly Procedure

Thread one side into base of unit and the other side through mounting hole on machine and secure with J-NUT.

Material: Stainless Steel SUS304

UL50, C22.2 No.94, NEMA Type 3R, 4X, & 12, and IP66 approved, RoHS compliant, Gasket.