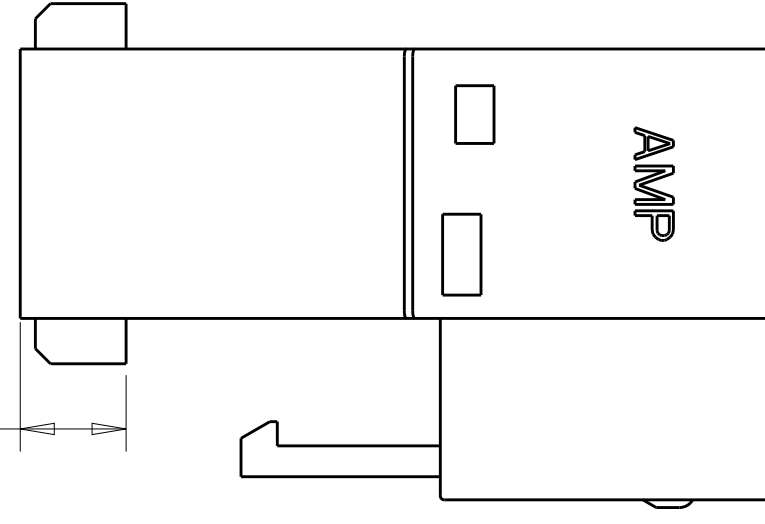
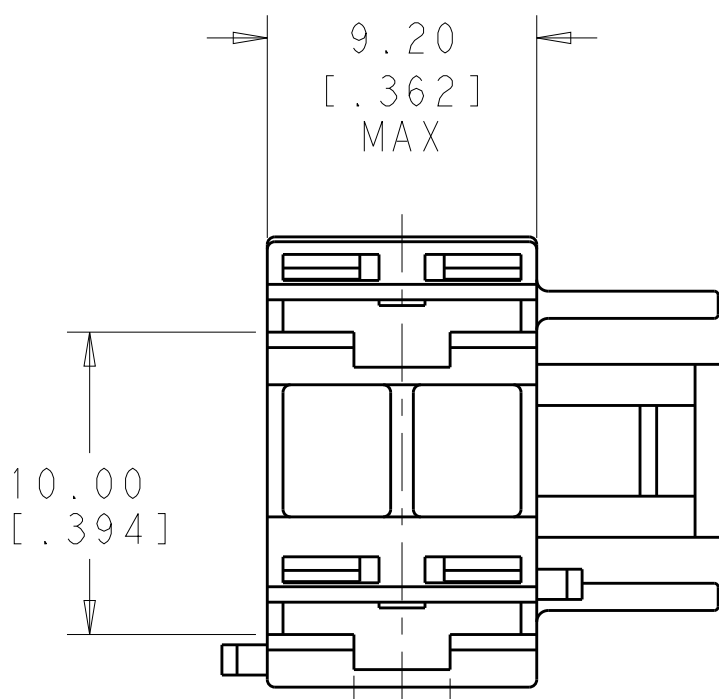


THIS DRAWING IS UNPUBLISHED. RELEASED FOR PUBLICATION 2012
 © COPYRIGHT 2012 BY TE CONNECTIVITY ALL RIGHTS RESERVED.

LOC		DIST		REVISIONS				
P	LTR	DESCRIPTION	DATE	DWN	APVD			
-	-	A1	RELEASED PER ECO-14-001729	05FEB14	JR	MKD		



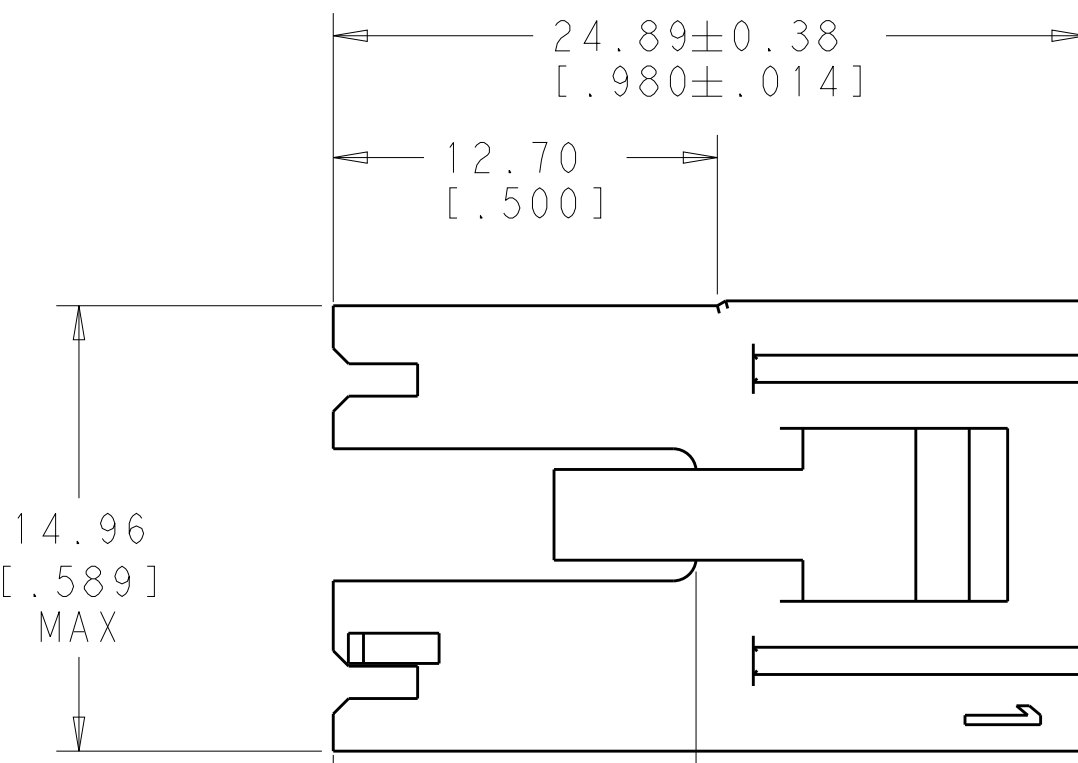
3.50
[.138]



9.20
[.362]
MAX

10.00
[.394]

3.18±0.38
[.125±.014]



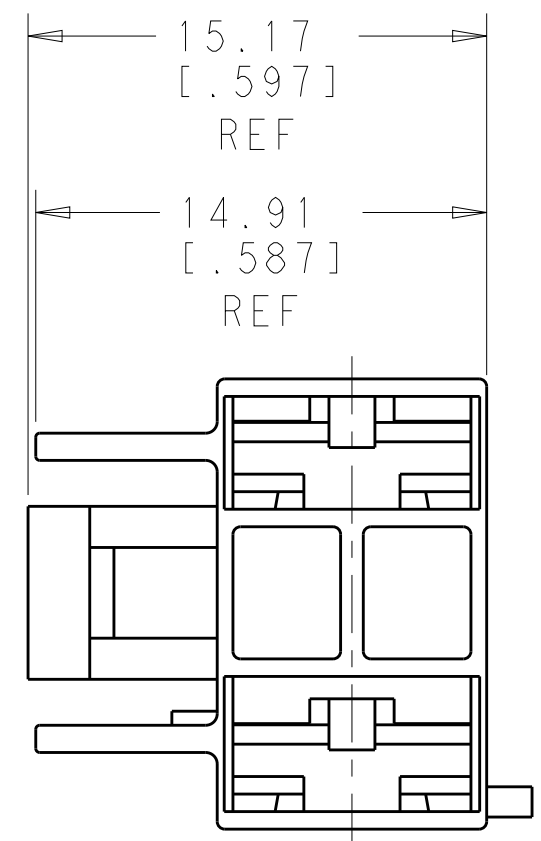
24.89±0.38
[.980±.014]

12.70
[.500]

14.96
[.589]
MAX

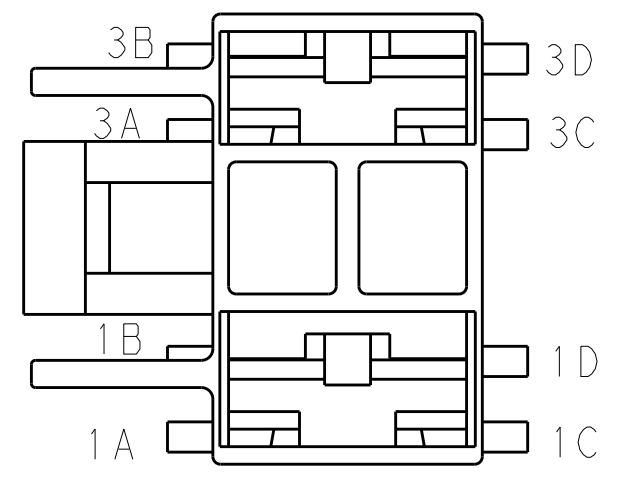
15.12
[.595]
MAX

12.00
[.472]

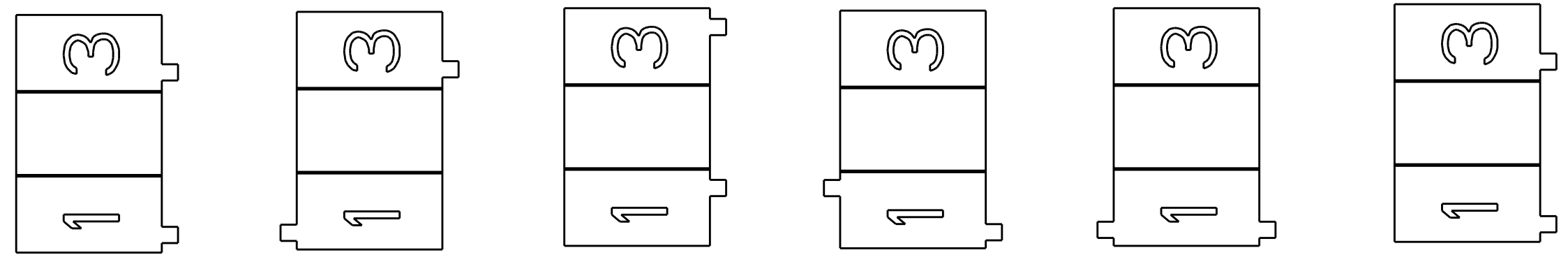


15.17
[.597]
REF

14.91
[.587]
REF



SPECIAL REAR VIEW
 THAT MATES WITH THE
 HEADER VIEWS BELOW
 SHOWING THE
 KEYING & POLARIZATION



1969536-1 1969536-2 1969536-3 1969536-4 1969536-5 1969536-6

HEADER VIEWS

1C, 3C	NONE	GRAY	1969536-6
1C	1A	BLUE	1969536-5
1C	1B	BLACK	1969536-4
1D, 3D	NONE	NATURAL	1969536-3
3C	1A	YELLOW	1969536-2
1C, 3C	NONE	GREEN	1969536-1
KEYING FEATURE	POLARIZATION FEATURE	COLOR	PART NUMBER

THIS DRAWING IS A CONTROLLED DOCUMENT.		DWN JR RUTH 19 JUN 2012	TE Connectivity	
DIMENSIONS: mm [INCHES]		CHK JEFF HUMMEL 20 JUN 2012		
TOLERANCES UNLESS OTHERWISE SPECIFIED:		APVD JEFF HUMMEL 20 JUN 2012	NAME HOUSING, RECEPT, POSI-LOCK MK III, 6.35 [.250] SERIES, 3 POSITION, 2 CIRCUIT	
0 PLC ± 1 PLC ± 2 PLC ±0.25 [.010] 3 PLC ± 4 PLC ± ANGLES ± FINISH		PRODUCT SPEC - APPLICATION SPEC -	SIZE A2	
MATERIAL NYLON 66		WEIGHT -	CAGE CODE 00779	
SEE TABLE		DRAWING NO C-1969536		RESTRICTED TO -
		Customer Drawing		SCALE 3:1 SHEET 1 OF 1 REV A1