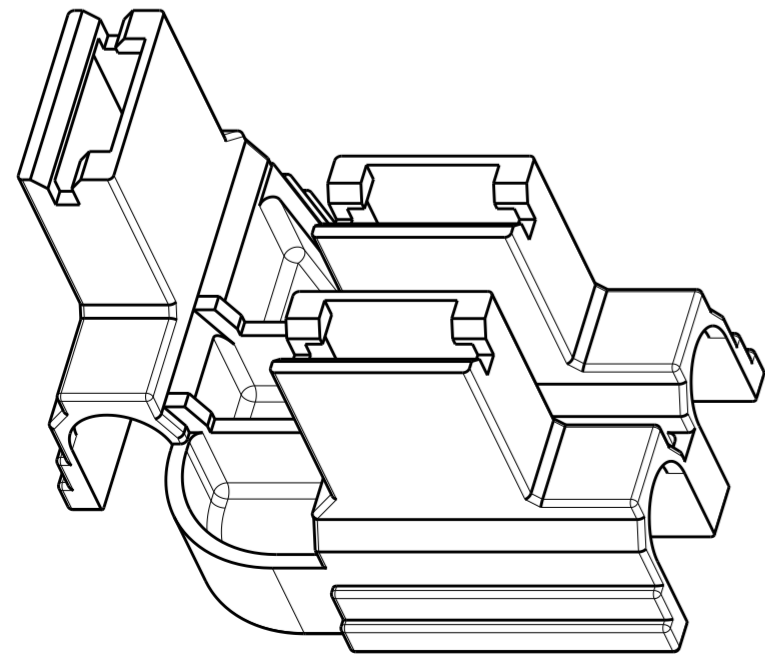
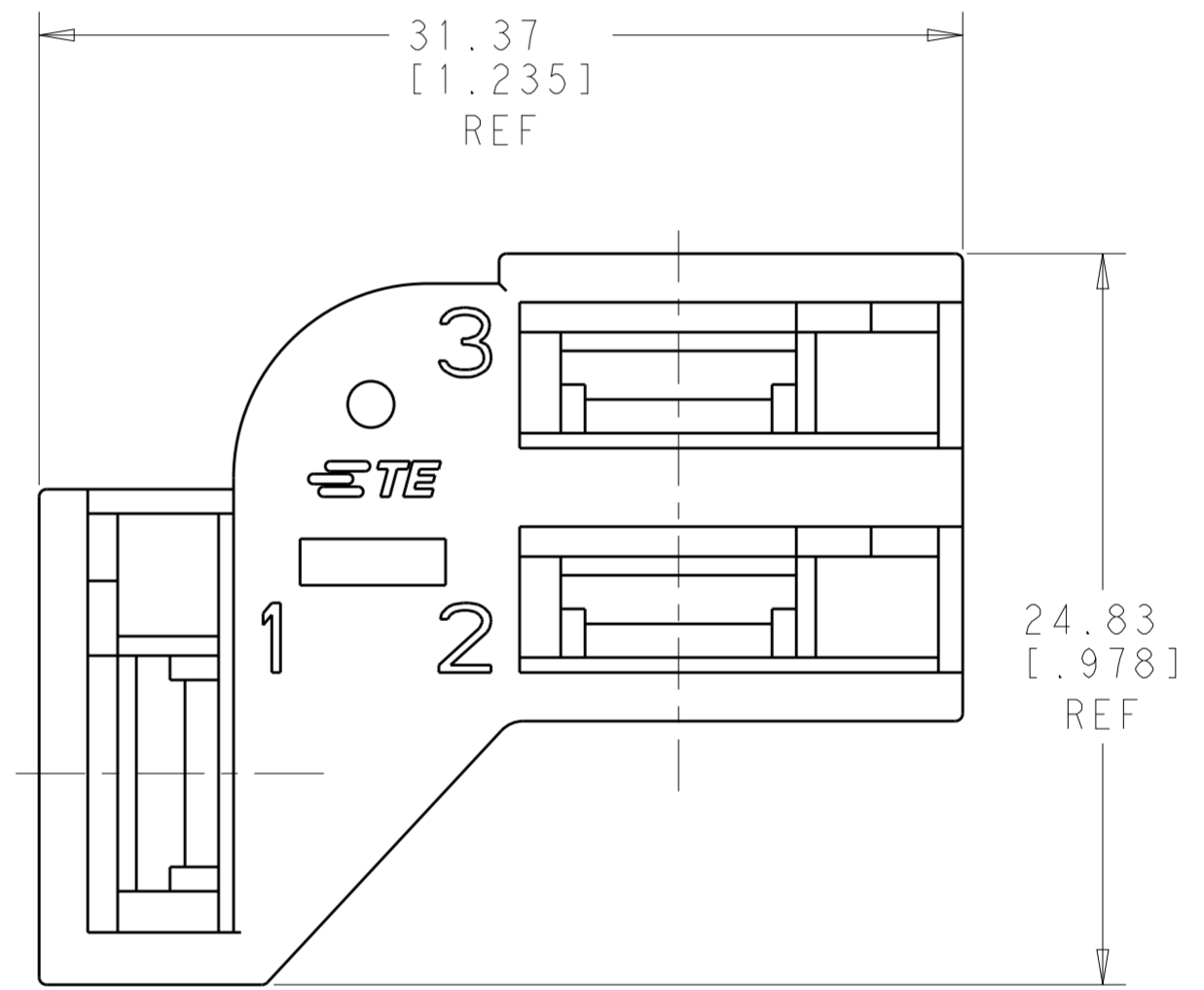
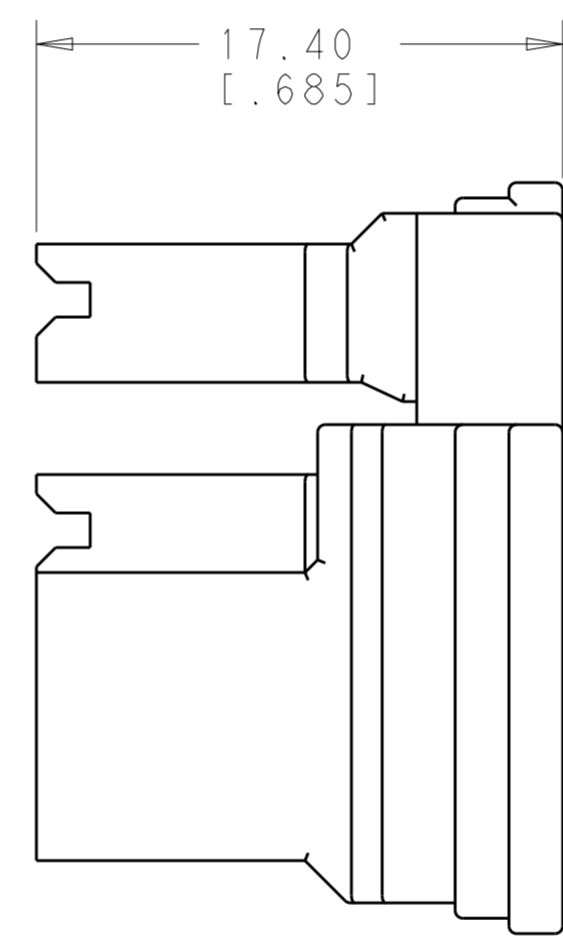
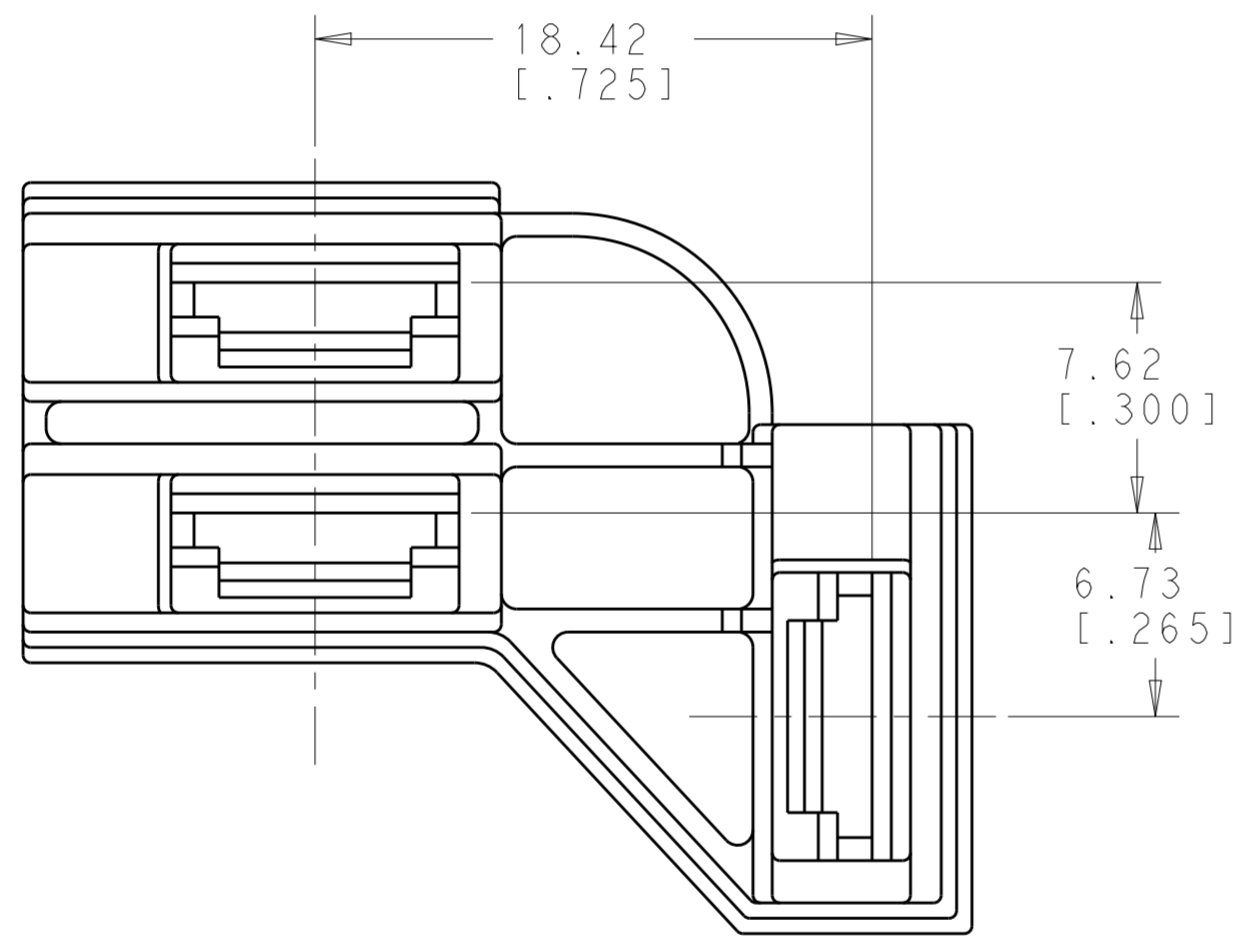
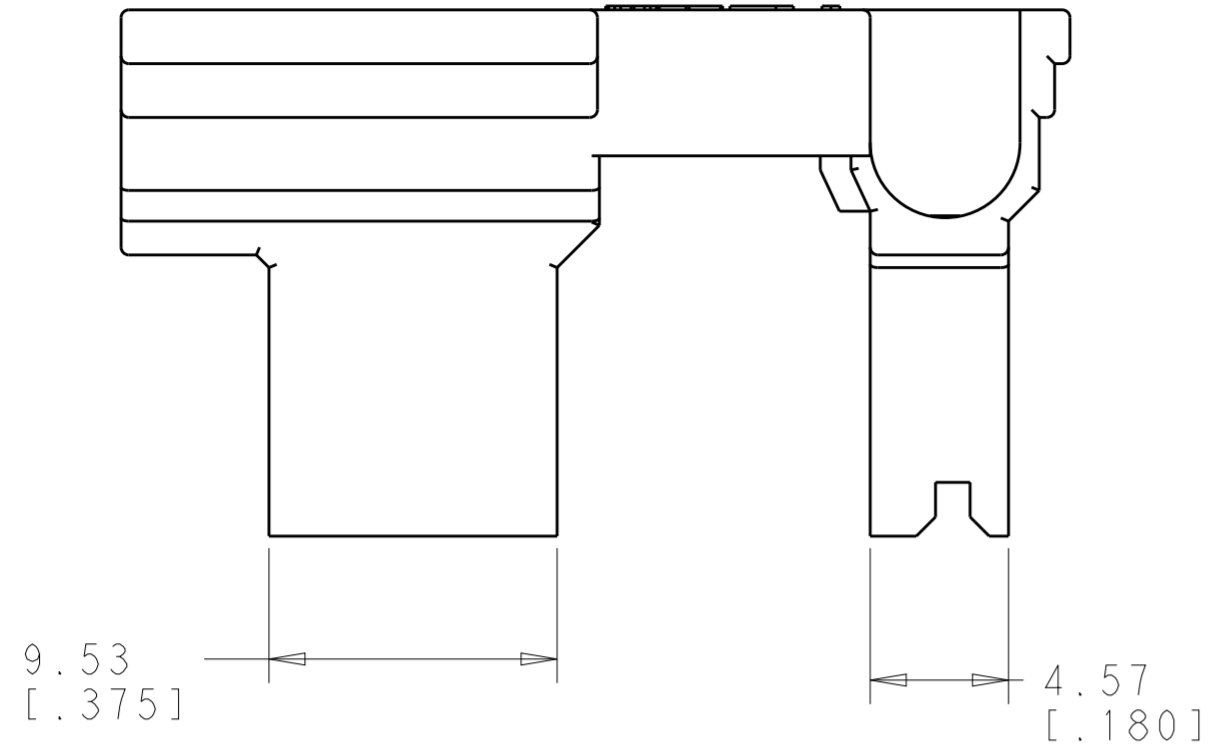


THIS DRAWING IS UNPUBLISHED. RELEASED FOR PUBLICATION 20  
 © COPYRIGHT 20 BY - ALL RIGHTS RESERVED.

REVISIONS				
P	LTR	DESCRIPTION	DATE	APVD
	A2	REVISED PER ECR-18-005844	17APR2018	RS DS

- 1 THIS PART ACCEPTS TERMINAL 63009 OR 63963 18-14 GAUGE WIRE.
- 2 FOR PROPER ENGAGEMENT THE MATING TAB MUST HAVE A MIN OF .315 USEABLE LENGTH.
- △ NOT FOR PRODUCTION: AGENCY APPROVAL IS PENDING.



SCALE 3:1

NATURAL	66 Nylon V0 Natural	1-1969705-1
-	-	△ 1969705-1
COLOR	MATERIAL	PART NO.

THIS DRAWING IS A CONTROLLED DOCUMENT.		DWN JR RUTH 17OCT14	TE Connectivity				
DIMENSIONS: mm [INCHES]		CHK DAVE HUMPHREY 17OCT14					
TOLERANCES UNLESS OTHERWISE SPECIFIED:		APVD DAVE HUMPHREY 17OCT14					
0 PLC ± 1 PLC ± 2 PLC ±0.25 [.010] 3 PLC ± 4 PLC ± ANGLES ±		NAME HOUSING, RECEPTACLE, FLAG FASTON, 6.35 [.250] SERIES, 3 POSITION					
MATERIAL NYLON, V0 NO DRIP	FINISH COLOR-NATURAL	PRODUCT SPEC -	APPLICATION SPEC -	SIZE A2	CAGE CODE 00779	DRAWING NO 1969705	RESTRICTED TO -
Customer Drawing		WEIGHT -	SCALE 4:1	SHEET 1	OF 1	REV A2	