

TPA2039D1 Audio Power Amplifier Evaluation Module

TPA2039D1 is a low-power, Class-D, 12-dB fixed-gain audio power amplifier evaluation module (EVM). The EVM features a mono audio power amplifier capable of delivering 1.47 W into 8 Ω and 2.57 W into 4 Ω at 1% THD+N (YFF package). The TPA2039D1 EVM consists of a TPA2039D1 device and all necessary components to evaluate it.

Contents

1	Introduction	1
2	Operation	1
3	Reference	3
4	Related Documentation From Texas Instruments	5

List of Figures

1	Top Layer	3
2	Bottom Layer	3
3	TPA2039D1EVM Schematic Diagram.....	4

List of Tables

1	TPA2039D1EVM Parts List.....	5
---	------------------------------	---

1 Introduction

This section provides an overview of the Texas Instruments (TI) TPA2039D1 NanoFree™ WCSP audio amplifier evaluation module (TPA2039D1EVM). It includes a brief description of the module and a list of EVM specifications.

1.1 TPA2039D1EVM Specifications

Supply voltage range, V_{DD}	2.5 V to 5.5 V
Power supply current rating required	2.5 A
Continuous output power, P_O : 4- Ω BTL, $V_{DD} = 5$ V, THD+N = 10%	3.24 W
Audio input voltage, V_I	0 V to V_{DD}
Minimum load impedance, Z_L	4 Ω

2 Operation

This section describes how to operate the TPA2039D1EVM.

2.1 Quick Start for Stand-Alone Operation

Use the following steps when operating the TPA2039D1EVM stand-alone or when connecting the EVM into existing circuits or equipment.

2.1.1 Power and Ground

1. Ensure that the external power sources are set to OFF.
2. Set the power supply voltage between 2.5 V and 5.5 V. When connecting the power supply to the EVM, attach the ground connection to the GND header pin first, then connect the positive supply to the VDD header pin. Verify that the connections are made to the correct header pins.

2.1.2 Inputs and Outputs

2.1.2.1 Audio

1. Ensure that the audio source is set to the minimum level.
2. Connect the audio source to the RCA input socket, IN. In case of differential audio input ensure that the jumper JP IN is not inserted. In case of a single-ended audio input ensure that the jumper JP IN is inserted, thereby grounding IN- through the input capacitor C2.
3. Connect a speaker ($4\ \Omega$ - $32\ \Omega$) between the output banana jacks OUT+ and OUT-.

2.1.2.2 Enable Control

The TPA2039D1 has an active-high enable pin EN. A logic high on this pin places the device in the operating mode, and a logic low on this pin places the device in the shutdown mode. Press and hold pushbutton S1 on the EVM to place the TPA2039D1 in shutdown mode. Release pushbutton S1 to restart normal operation.

2.1.2.3 Output filter

The TPA2039D1 EVM provides two test outputs TPOUT+ and TPOUT- between which a filtered version of the BTL output of the TPA2039D1 can be obtained by populating the filter components R4, R5, C9 and C10 (see [Table 1](#) for typical components). The filtered output is useful in evaluating performance parameters of the TPA2039D1 using measurement equipment such as the Audio Precision.

2.2 Power Up

1. Verify the correct connections as described in Sections 2.1.1 and 2.1.2.
2. Verify the voltage setting of the power supply is between 2.5 V and 5.5 V, and turn on the power supply. Proper operation of the EVM begins.
3. Adjust the audio signal source as needed.

3 Reference

This section includes the EVM PCB layout reference, schematic, and parts list.

3.1 TPA2039D1EVM PCB Layers

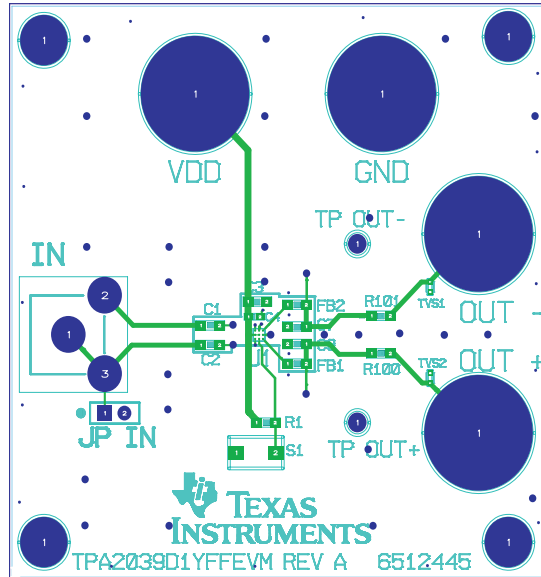


Figure 1. Top Layer

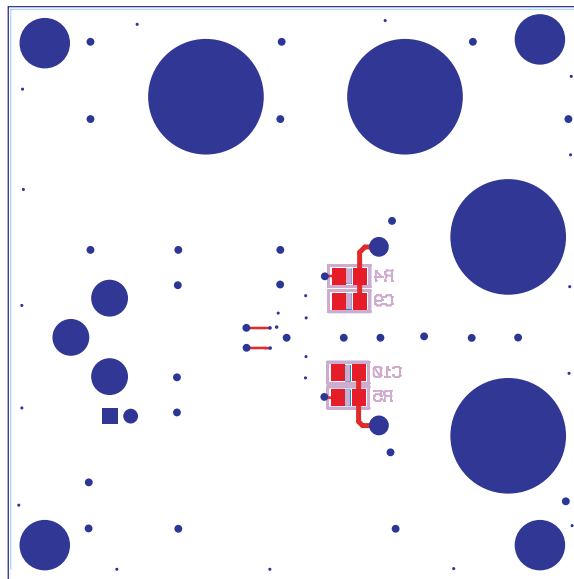


Figure 2. Bottom Layer

3.2 TPA2039D1EVM Schematic Diagram

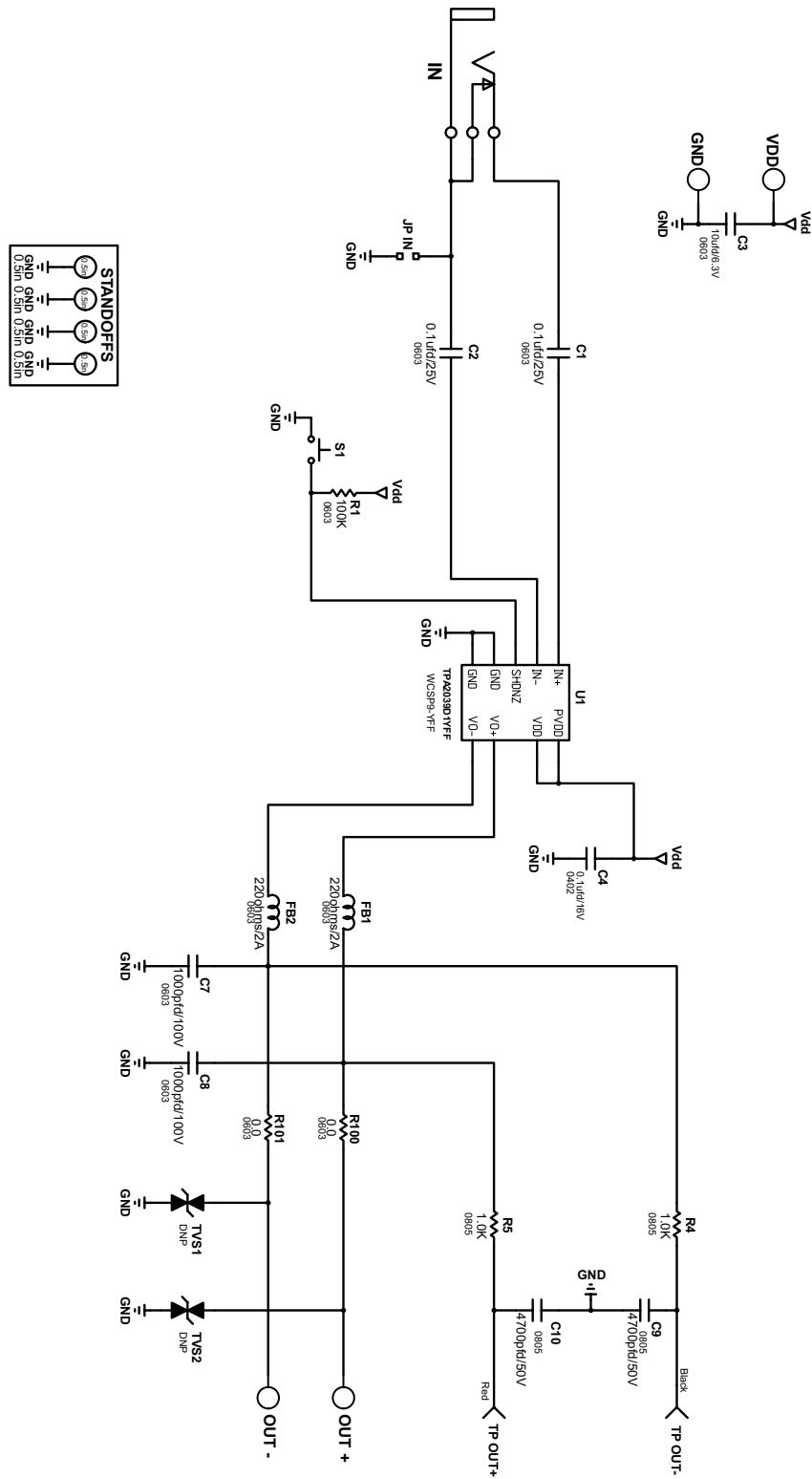


Figure 3. TPA2039D1EVM Schematic Diagram

3.3 TPA2039D1 Audio Power Amplifier Evaluation Module Parts List

Table 1. TPA2039D1EVM Parts List

Part No.	Description	Size	Qty.	Vendor Part Number
U1	2.75W STEREO CLASS D AMP WCSP9-YFF ROHS		1	Texas Instruments , TPA2039D1YFF
TVS1, TVS2	TRANSIENT VOLTAGE SUPPRESSION BIDIR 6.1V 9A SOD-882 ROHS		2	ST Microelectronics, ESDALC6V1-1BT2
C7, C8	CAP SMD0603 CERM 1000PFD 100V 10% X7R ROHS	0603	2	Panasonic, PCC1952CT
C1, C2	CAP SMD0603 CERM 0.1UFD 25V 10% X5R ROHS	0603	2	AVX, 478-1244-1
C9, C10	CAP SMD0805 CERM 4700PFD 50V 5% X7R ROHS	0805	2	AVX, 478-3770-1
C3	CAP SMD0603 CERM 10UFD 6.3V 20% X5R ROHS	0603	1	Panasonic, PCC2395CT
C4	CAP SMD0402 CERM 0.1UFD 16V 10% X7R ROHS	0402	1	Taiyo Yuden, 490-3261-1
R1	RES 100K OHM 1/16W 1% SMD 0603 ROHS	0603	1	Panasonic, P100KHCT
R4,R5	RES SMT0805 1.0K 5% 1/8W ROHS	0805	2	Panasonic, P1.0KACT
R100, R101	RES 0.0 OHM 1/16W 5% SMD 0603 ROHS	0603	2	Panasonic, P0.0GCT
FB1,FB2	FERRITE CHIP, 220 OHMS 2A 100MHZ SMD 0603 ROHS	0603	2	TDK, 445-1565-1
JP1	HEADER 2 PIN MALE, PCB STRAIGHT GOLD ROHS		1	Sullins, S1011E-02 2
IN	JACK, RCA 3-PIN PCB-RA BLACK ROHS		1	Switchcraft, 65K7770
TP OUT+	PC TESTPOINT, RED, ROHS		1	Keystone Electronics, 5000K
TP OUT-	PC TESTPOINT, BLACK, ROHS		1	Keystone Electronics, 5001K
S1	SWITCH, MOM, 160G SMT 4X3MM ROHS		1	E-Switch, EG4344CT
JP1	SHUNT, BLACK AU FLASH 2mmLS		1	Norcomp Inc., SP2-001E
GND,VDD, OUT +,OUT -	BINDING-POST,NONINS,THRU,ROHS		4	Emerson NPCCS, J587
HW1,HW2, HW3,HW4	STANDOF ,4-40 0.5IN 3/16IN DIA ALUM RND F-F		4	Keystone, 2027K
HW1,HW2, HW3,HW4	4-40 SCREW, STEEL 0.250 IN		4	Building Fasteners, H34

4 Related Documentation From Texas Instruments

- TPA2039D1 Datasheet: [3.2 W mono Class-D Audio Power Amplifier with 12-dB Gain and Auto Short-Circuit Recovery](#).

EVALUATION BOARD/KIT IMPORTANT NOTICE

Texas Instruments (TI) provides the enclosed product(s) under the following conditions:

This evaluation board/kit is intended for use for **ENGINEERING DEVELOPMENT, DEMONSTRATION, OR EVALUATION PURPOSES ONLY** and is not considered by TI to be a finished end-product fit for general consumer use. Persons handling the product(s) must have electronics training and observe good engineering practice standards. As such, the goods being provided are not intended to be complete in terms of required design-, marketing-, and/or manufacturing-related protective considerations, including product safety and environmental measures typically found in end products that incorporate such semiconductor components or circuit boards. This evaluation board/kit does not fall within the scope of the European Union directives regarding electromagnetic compatibility, restricted substances (RoHS), recycling (WEEE), FCC, CE or UL, and therefore may not meet the technical requirements of these directives or other related directives.

Should this evaluation board/kit not meet the specifications indicated in the User's Guide, the board/kit may be returned within 30 days from the date of delivery for a full refund. **THE FOREGOING WARRANTY IS THE EXCLUSIVE WARRANTY MADE BY SELLER TO BUYER AND IS IN LIEU OF ALL OTHER WARRANTIES, EXPRESSED, IMPLIED, OR STATUTORY, INCLUDING ANY WARRANTY OF MERCHANTABILITY OR FITNESS FOR ANY PARTICULAR PURPOSE.**

The user assumes all responsibility and liability for proper and safe handling of the goods. Further, the user indemnifies TI from all claims arising from the handling or use of the goods. Due to the open construction of the product, it is the user's responsibility to take any and all appropriate precautions with regard to electrostatic discharge.

EXCEPT TO THE EXTENT OF THE INDEMNITY SET FORTH ABOVE, NEITHER PARTY SHALL BE LIABLE TO THE OTHER FOR ANY INDIRECT, SPECIAL, INCIDENTAL, OR CONSEQUENTIAL DAMAGES.

TI currently deals with a variety of customers for products, and therefore our arrangement with the user **is not exclusive.**

TI assumes **no liability for applications assistance, customer product design, software performance, or infringement of patents or services described herein.**

Please read the User's Guide and, specifically, the Warnings and Restrictions notice in the User's Guide prior to handling the product. This notice contains important safety information about temperatures and voltages. For additional information on TI's environmental and/or safety programs, please contact the TI application engineer or visit www.ti.com/esh.

No license is granted under any patent right or other intellectual property right of TI covering or relating to any machine, process, or combination in which such TI products or services might be or are used.

FCC Warning

This evaluation board/kit is intended for use for **ENGINEERING DEVELOPMENT, DEMONSTRATION, OR EVALUATION PURPOSES ONLY** and is not considered by TI to be a finished end-product fit for general consumer use. It generates, uses, and can radiate radio frequency energy and has not been tested for compliance with the limits of computing devices pursuant to part 15 of FCC rules, which are designed to provide reasonable protection against radio frequency interference. Operation of this equipment in other environments may cause interference with radio communications, in which case the user at his own expense will be required to take whatever measures may be required to correct this interference.

EVM WARNINGS AND RESTRICTIONS

It is important to operate this EVM within the input voltage range of 2.5 V to 5 V and the output voltage range of 0 V to 5.5 V.

Exceeding the specified input range may cause unexpected operation and/or irreversible damage to the EVM. If there are questions concerning the input range, please contact a TI field representative prior to connecting the input power.

Applying loads outside of the specified output range may result in unintended operation and/or possible permanent damage to the EVM. Please consult the EVM User's Guide prior to connecting any load to the EVM output. If there is uncertainty as to the load specification, please contact a TI field representative.

During normal operation, some circuit components may have case temperatures greater than 60°C. The EVM is designed to operate properly with certain components above 60°C as long as the input and output ranges are maintained. These components include but are not limited to linear regulators, switching transistors, pass transistors, and current sense resistors. These types of devices can be identified using the EVM schematic located in the EVM User's Guide. When placing measurement probes near these devices during operation, please be aware that these devices may be very warm to the touch.

Mailing Address: Texas Instruments, Post Office Box 655303, Dallas, Texas 75265
Copyright © 2008, Texas Instruments Incorporated

IMPORTANT NOTICE

Texas Instruments Incorporated and its subsidiaries (TI) reserve the right to make corrections, modifications, enhancements, improvements, and other changes to its products and services at any time and to discontinue any product or service without notice. Customers should obtain the latest relevant information before placing orders and should verify that such information is current and complete. All products are sold subject to TI's terms and conditions of sale supplied at the time of order acknowledgment.

TI warrants performance of its hardware products to the specifications applicable at the time of sale in accordance with TI's standard warranty. Testing and other quality control techniques are used to the extent TI deems necessary to support this warranty. Except where mandated by government requirements, testing of all parameters of each product is not necessarily performed.

TI assumes no liability for applications assistance or customer product design. Customers are responsible for their products and applications using TI components. To minimize the risks associated with customer products and applications, customers should provide adequate design and operating safeguards.

TI does not warrant or represent that any license, either express or implied, is granted under any TI patent right, copyright, mask work right, or other TI intellectual property right relating to any combination, machine, or process in which TI products or services are used. Information published by TI regarding third-party products or services does not constitute a license from TI to use such products or services or a warranty or endorsement thereof. Use of such information may require a license from a third party under the patents or other intellectual property of the third party, or a license from TI under the patents or other intellectual property of TI.

Reproduction of TI information in TI data books or data sheets is permissible only if reproduction is without alteration and is accompanied by all associated warranties, conditions, limitations, and notices. Reproduction of this information with alteration is an unfair and deceptive business practice. TI is not responsible or liable for such altered documentation. Information of third parties may be subject to additional restrictions.

Resale of TI products or services with statements different from or beyond the parameters stated by TI for that product or service voids all express and any implied warranties for the associated TI product or service and is an unfair and deceptive business practice. TI is not responsible or liable for any such statements.

TI products are not authorized for use in safety-critical applications (such as life support) where a failure of the TI product would reasonably be expected to cause severe personal injury or death, unless officers of the parties have executed an agreement specifically governing such use. Buyers represent that they have all necessary expertise in the safety and regulatory ramifications of their applications, and acknowledge and agree that they are solely responsible for all legal, regulatory and safety-related requirements concerning their products and any use of TI products in such safety-critical applications, notwithstanding any applications-related information or support that may be provided by TI. Further, Buyers must fully indemnify TI and its representatives against any damages arising out of the use of TI products in such safety-critical applications.

TI products are neither designed nor intended for use in military/aerospace applications or environments unless the TI products are specifically designated by TI as military-grade or "enhanced plastic." Only products designated by TI as military-grade meet military specifications. Buyers acknowledge and agree that any such use of TI products which TI has not designated as military-grade is solely at the Buyer's risk, and that they are solely responsible for compliance with all legal and regulatory requirements in connection with such use.

TI products are neither designed nor intended for use in automotive applications or environments unless the specific TI products are designated by TI as compliant with ISO/TS 16949 requirements. Buyers acknowledge and agree that, if they use any non-designated products in automotive applications, TI will not be responsible for any failure to meet such requirements.

Following are URLs where you can obtain information on other Texas Instruments products and application solutions:

Products

Amplifiers	amplifier.ti.com
Data Converters	dataconverter.ti.com
DLP® Products	www.dlp.com
DSP	dsp.ti.com
Clocks and Timers	www.ti.com/clocks
Interface	interface.ti.com
Logic	logic.ti.com
Power Mgmt	power.ti.com
Microcontrollers	microcontroller.ti.com
RFID	www.ti-rfid.com
RF/IF and ZigBee® Solutions	www.ti.com/lprf

Applications

Audio	www.ti.com/audio
Automotive	www.ti.com/automotive
Broadband	www.ti.com/broadband
Digital Control	www.ti.com/digitalcontrol
Medical	www.ti.com/medical
Military	www.ti.com/military
Optical Networking	www.ti.com/opticalnetwork
Security	www.ti.com/security
Telephony	www.ti.com/telephony
Video & Imaging	www.ti.com/video
Wireless	www.ti.com/wireless

Mailing Address: Texas Instruments, Post Office Box 655303, Dallas, Texas 75265
Copyright © 2009, Texas Instruments Incorporated