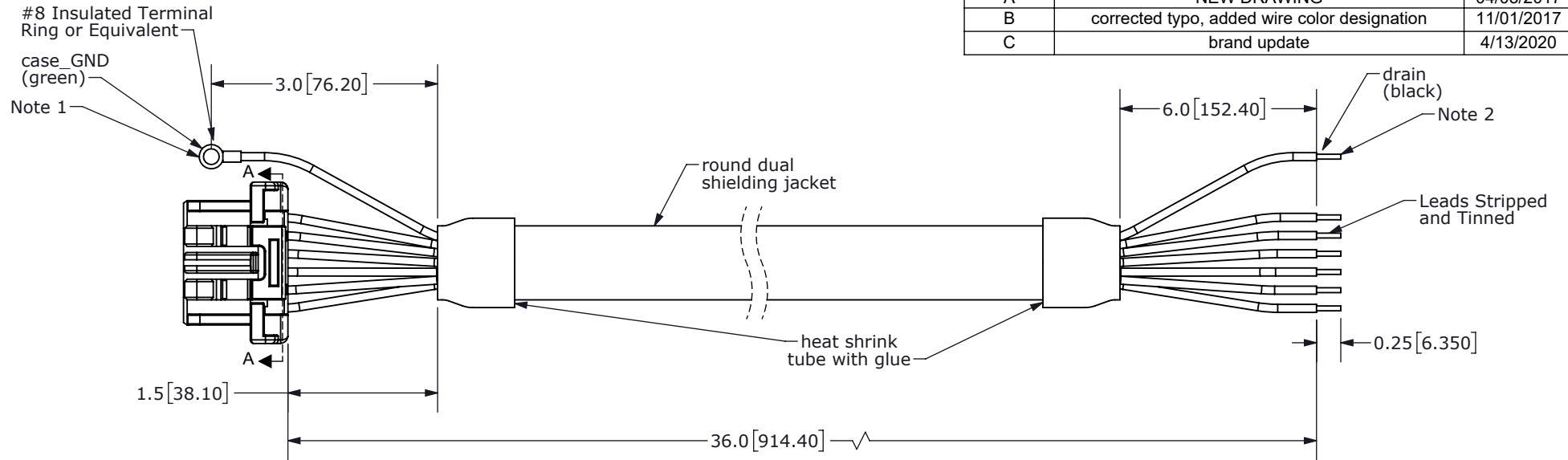
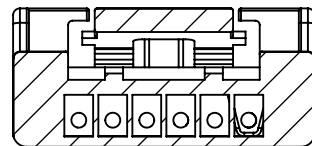


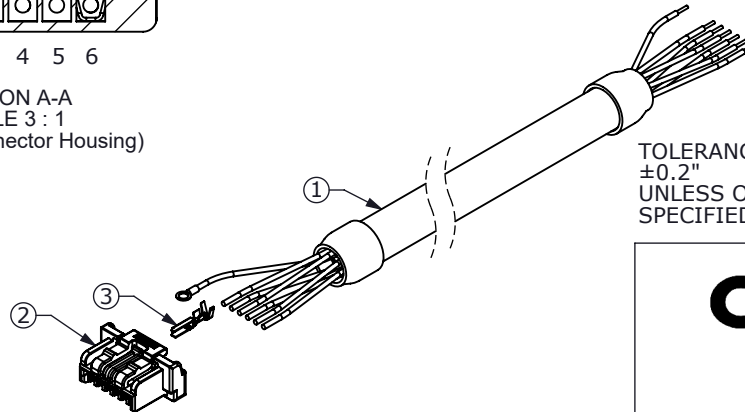
| REV. | DESCRIPTION                                  | DATE       |
|------|--|------------|
| A    | NEW DRAWING                                  | 04/03/2017 |
| B    | corrected typo, added wire color designation | 11/01/2017 |
| C    | brand update                                 | 4/13/2020  |



| Connector Pinout |          |         |        |
|------------------|----------|---------|--------|
| #                | Function | Color   |        |
|                  |          | Primary | Stripe |
| 1                | +5 V     | White   | Green  |
| 2                | B        | Blue    | White  |
| 3                | A        | White   | Blue   |
| 4                | GND      | Green   | White  |
| 5                | TBIT     | Orange  | White  |
| 6                | MCLR_CS  | White   | Orange |



SECTION A-A  
SCALE 3 : 1  
(Back of Connector Housing)



TOLERANCE:  
±0.2"  
UNLESS OTHERWISE  
SPECIFIED



# CUI DEVICES

6405 SW Rosewood St, Suite C  
Lake Oswego, OR 97035  
Phone: 877-323-3576

Website: [www.cuidevices.com](http://www.cuidevices.com)

NOTES 1: case\_GND (green) is connected internally to GND (green/white)  
2: drain (black) connected internally to cable shielding

|   | Part       | QTY | Part#             |
|---|------------|-----|-------------------|
| 1 | Cable      | 1   | Belden 8103       |
| 2 | Connector  | 1   | Molex 502578-0600 |
| 3 | Crimp Pins | 6   | Molex 5025791000  |

|           |               |              |            |
|-----------|---------------|--------------|------------|
| ITEM NO:  | 977-7137R     | REV:         | C          |
| PART NO.  | AMT-06C-1-036 | UNITS:       | INCHES[MM] |
| DRAWN BY: | RDS           | APPROVED BY: |            |
|           |               | SCALE:       | 2:1        |

PC FILE NAME:  
AMT-06C-1-036

COPYRIGHT 2020 BY CUI DEVICES