

**MODEL:** CSS-66668N | **DESCRIPTION:** SPEAKER**FEATURES**

- 90 dB SPL
- 200 Hz resonant frequency
- Nd-Fe-B magnet

**SPECIFICATIONS**

parameter	conditions/description	min	typ	max	units
input power	maximum power: IEC-60268-5, filter 60s on/120s off, 10 cycles at room temp		3.0	4.0	W
impedance	at 0.8 kHz	6.8	8	9.2	$\Omega$
resonant frequency (Fo)	at 1.0 V	160	200	240	Hz
frequency response	output SPL -10 dB	Fo		15,000	Hz
sound pressure level	at 1.0 W, 0.1 m ave, at 0.6, 0.8, 1.0, 1.2 kHz	98	101	104	dB
	at 3.0 W, 0.5 m ave, at 0.6, 0.8, 1.0, 1.2 kHz	88	91	94	dB
distortion	at 1.0 kHz, 1.0 W			5	%
buzz, rattle, etc.	must be normal at sine wave between Fo ~ 20,000 Hz		4.9		V
dimensions	66 x 66 x 29				mm
magnet	Nd-Fe-B				
material	metal				
cone material	paper & foam				
terminal	solder terminals				
weight			101		g
operating temperature		-20		55	$^{\circ}\text{C}$
storage temperature		-30		70	$^{\circ}\text{C}$
RoHS	yes				

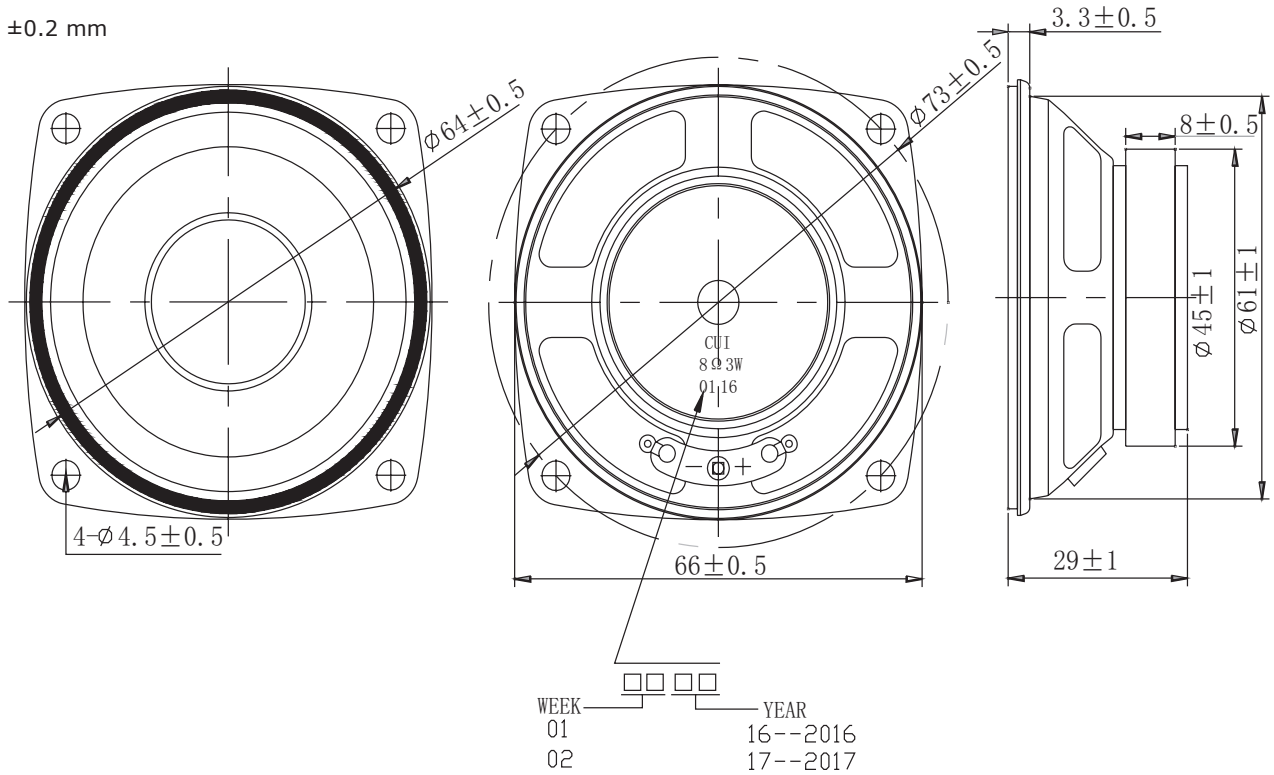
Notes: 1. All specifications measured at 15~35 $^{\circ}\text{C}$ , humidity at 45~85%, under 86~106 kPa pressure, unless otherwise noted.

**SOLDERABILITY**

parameter	conditions/description	min	typ	max	units
hand soldering	for maximum 3 seconds	370	380	390	$^{\circ}\text{C}$

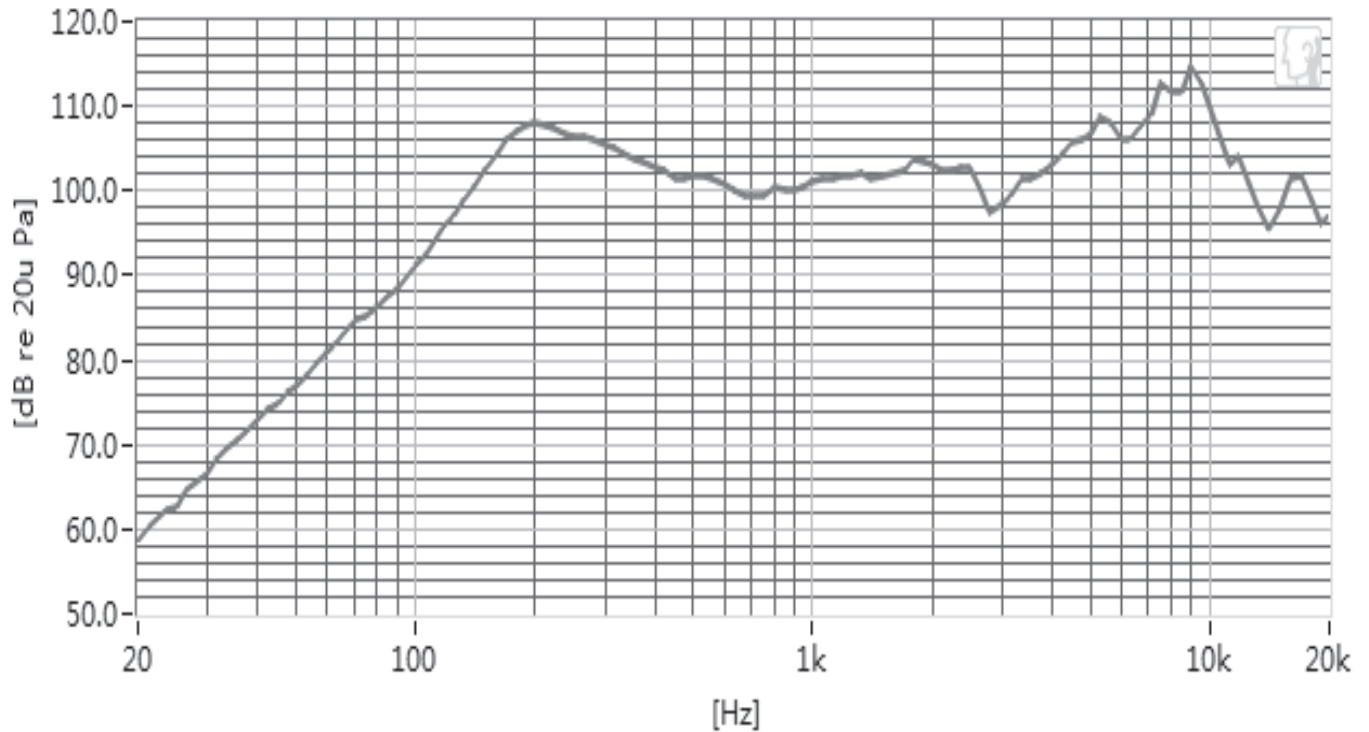
## MECHANICAL DRAWING

units: mm  
tolerance:  $\pm 0.2$  mm



## FREQUENCY RESPONSE CURVE

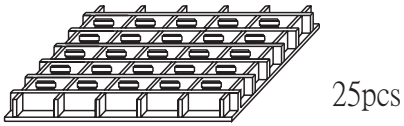
Frequency Response.Magn dB re 20.00 $\mu$  PA AT 1 W / 0.1 m




## PACKAGING

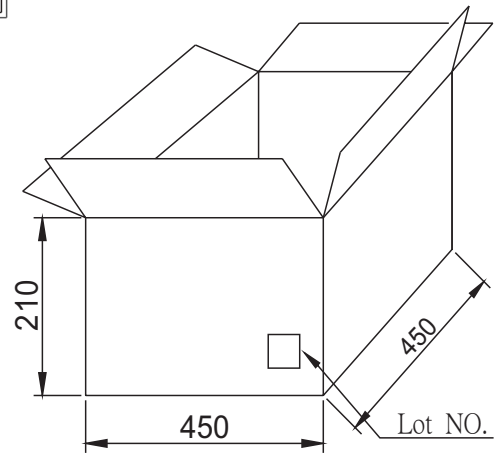
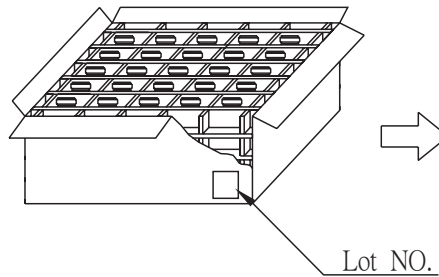
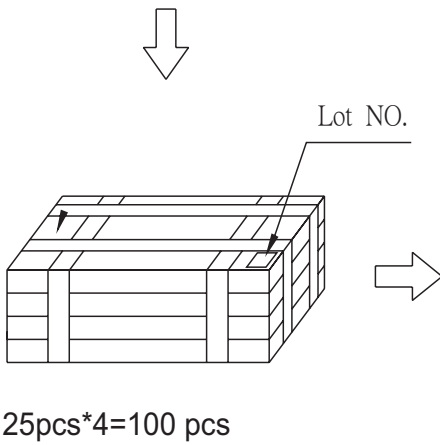
units: mm

Tray Size: 415 x 415 x 40 mm  
 Carton Size: 450 x 450 x 210 mm  
 Tray QTY: 25 pcs per tray  
 Carton QTY: 100 pcs per carton



Lot No.	XXXXXXXXXX
Model No.	CUI Inv#. XXXXXXXXXXXX CUI Part#. XXXXXXXXXXXX
Quantity.	XXXX Pcs
Date:	DD MM YY 
	MADE IN CHINA
	CUI Inc

\* The label stuck on inner boxes and the outer of carton.



## REVISION HISTORY

---

rev.	description	date
1.0	initial release	06/28/2016
1.01	brand update	01/22/2020

The revision history provided is for informational purposes only and is believed to be accurate.

---

# CUI DEVICES

CUI Devices offers a one (1) year limited warranty. Complete warranty information is listed on our website.

CUI Devices reserves the right to make changes to the product at any time without notice. Information provided by CUI Devices is believed to be accurate and reliable. However, no responsibility is assumed by CUI Devices for its use, nor for any infringements of patents or other rights of third parties which may result from its use.

CUI Devices products are not authorized or warranted for use as critical components in equipment that requires an extremely high level of reliability. A critical component is any component of a life support device or system whose failure to perform can be reasonably expected to cause the failure of the life support device or system, or to affect its safety or effectiveness.