

**MODEL:** CMS-160916-30-3 | **DESCRIPTION:** SPEAKER**FEATURES**

- micro-speaker
- small footprint
- spring leads

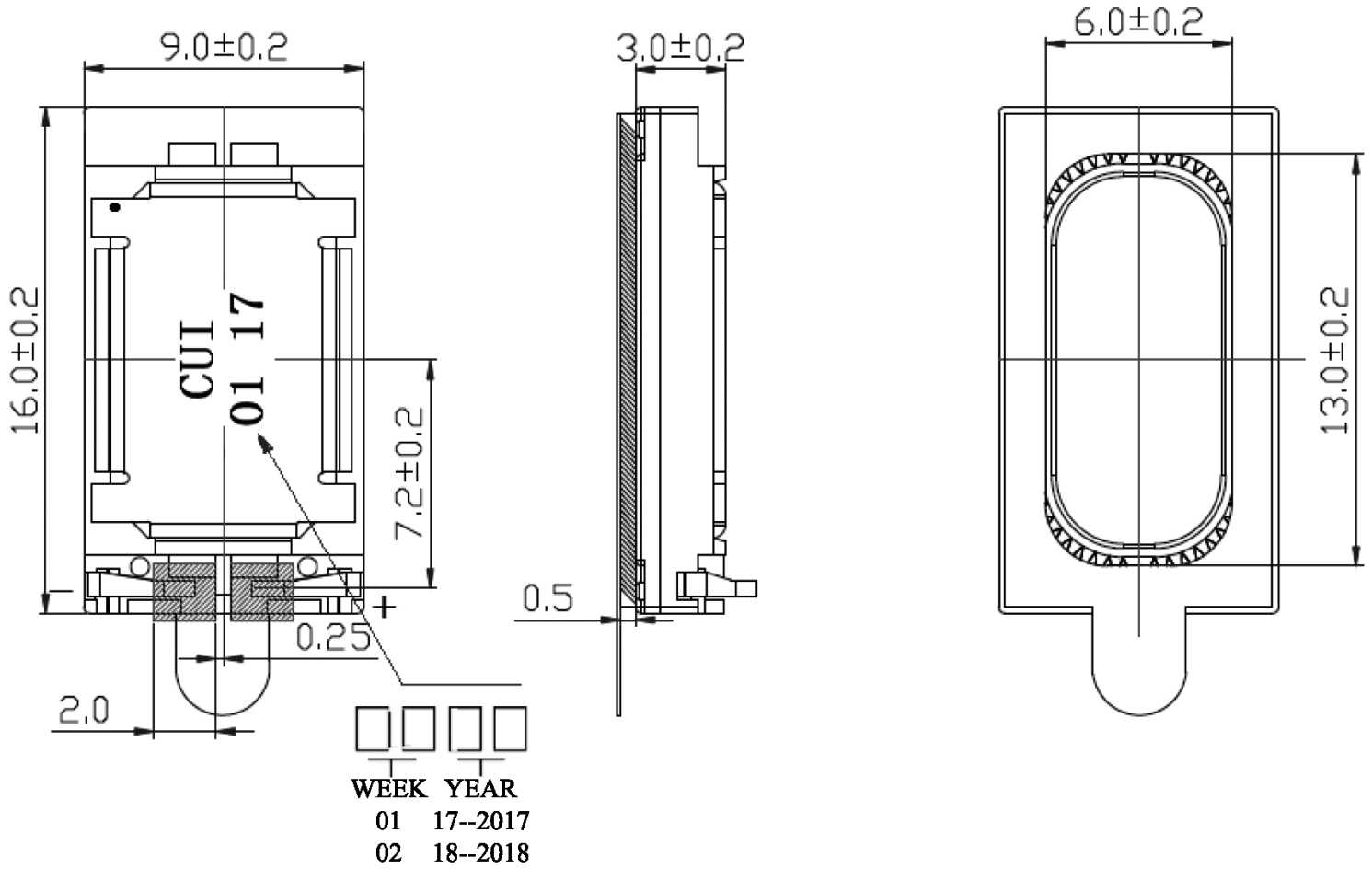
**SPECIFICATIONS**

parameter	conditions/description	min	typ	max	units
input power	maximum power: IEC-60268-5, filter 60s on/120s off, 10 cycles at room temp in 1 cc closed box		0.8	1.0	W
impedance	at 2.0 kHz	5.1	6.0	6.9	$\Omega$
resonant frequency (Fo)	at 1.0 V at 1.0 V in 1 cc closed box	480 765	600 900	720 1,035	Hz Hz
frequency response	output SPL $\pm$ 10 dB	Fo		20,000	Hz
sound pressure level	at 0.8 W, 0.1 m ave, at 2.0 kHz in 1 cc closed box	85	88	91	dB
distortion	at 1.0 kHz, 0.8 W			15	%
buzz, rattle, etc.	must be normal at sine wave between Fo ~ 20 kHz in 1 cc closed box		2.2		V
polarity	cone will move forward with positive dc current to "+" terminal				
dimensions	16.0 x 9.0 x 3.0				mm
magnet	Nd-Fe-B				
material	PBT				
cone material	mylar				
terminal	spring contact				
weight			1.0		g
operating temperature		-20		75	$^{\circ}$ C
storage temperature		-30		85	$^{\circ}$ C
RoHS	yes				

Notes: 1. All specifications measured at 5~35 $^{\circ}$ C, humidity at 45~85%, under 86~106 kPa pressure, unless otherwise noted.

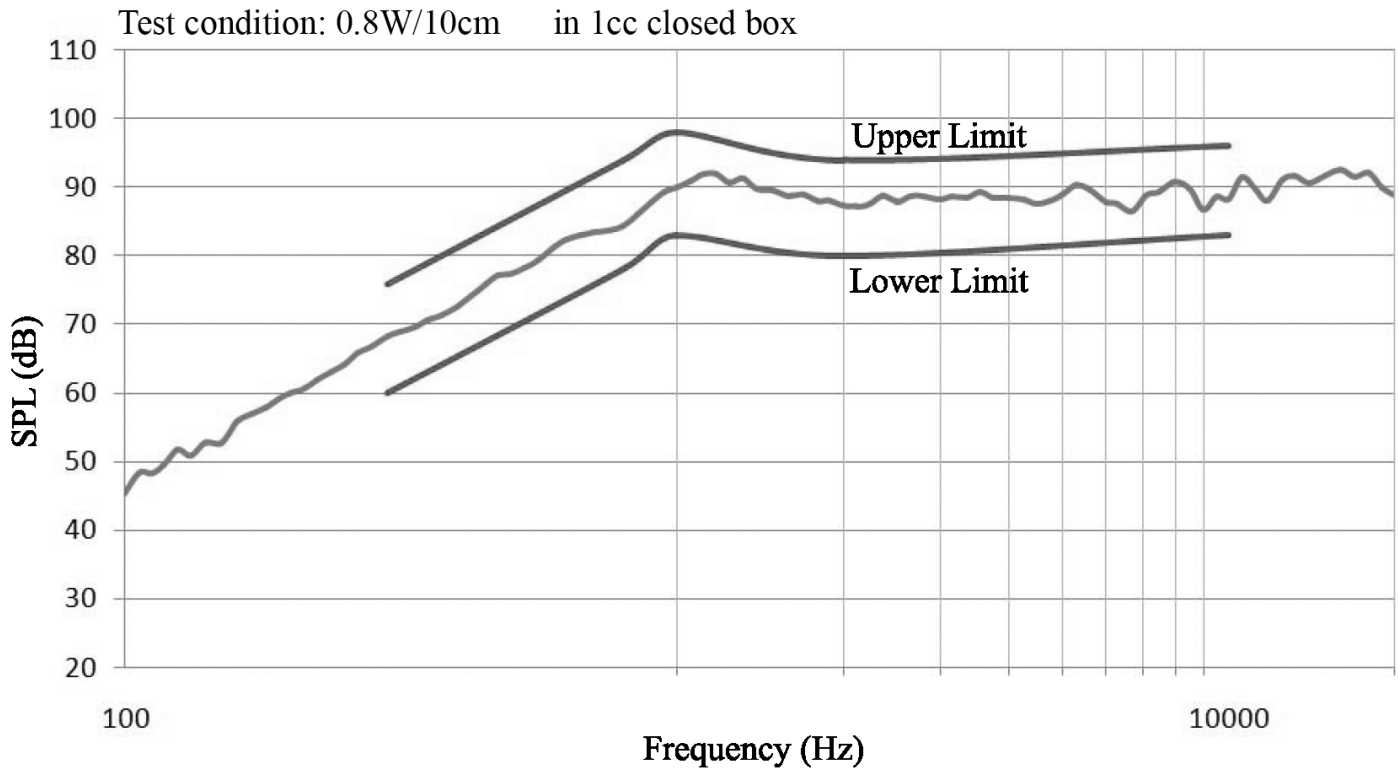
## MECHANICAL DRAWING

units: mm  
tolerance:  $\pm 0.2$  mm

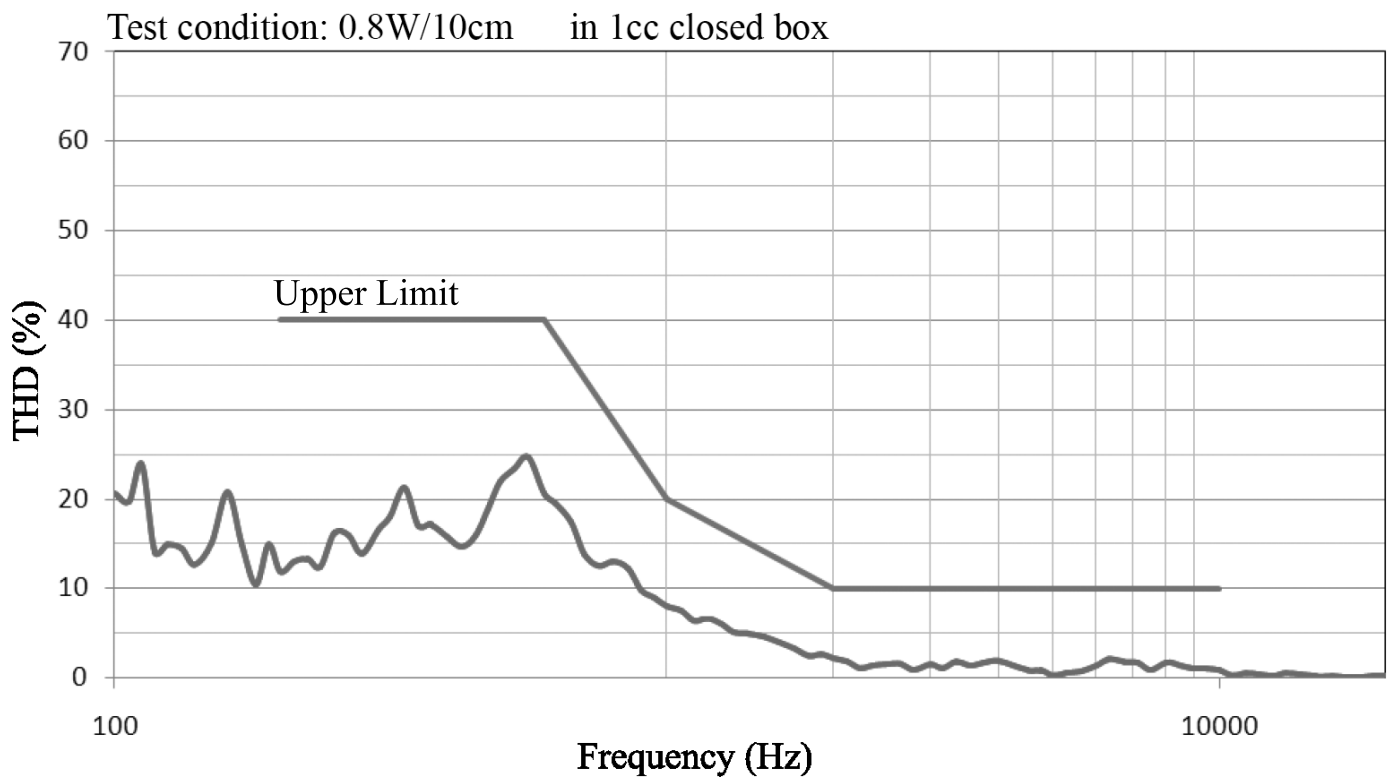


## RESPONSE CURVES

**Frequency Response Curve**



**Total Harmonic Distortion Curve**

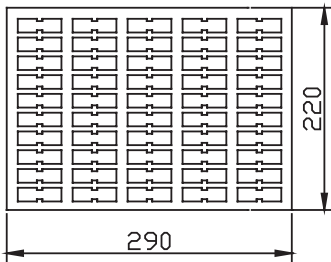


## PACKAGING

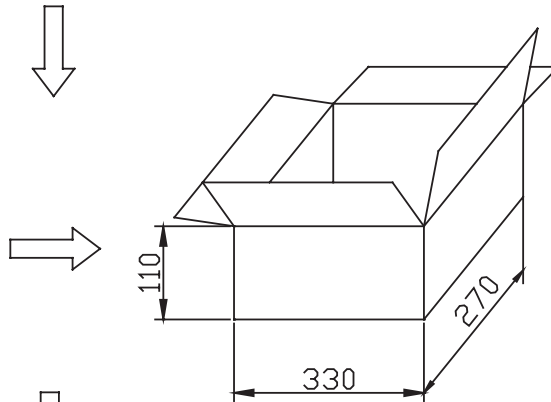
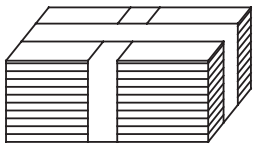
units: mm

Tray Size: 290 x 220 mm  
 Carton Size: 590 x 350 x 290 mm  
 Tray QTY: 100 pcs per tray  
 Carton QTY: 5,000 pcs per carton

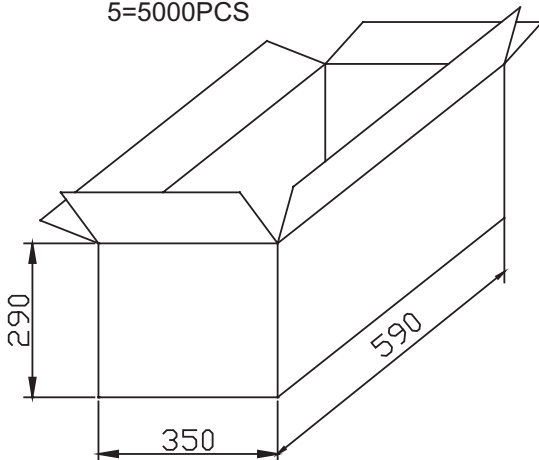
100PCS



100 %  
10=1000PCS



1000 %  
5=5000PCS



Lot No.	XXXXXXXXXX
Part No.	CUI Inv#. CUI Part#.
Quantity.	XXXX Pcs
Date:	DD MM YY
MADE IN CHINA	
CUI DEVICES	

**RoHs Compliant**

## REVISION HISTORY

---

rev.	description	date
1.0	initial release	10/13/2016
1.01	updated datasheet	04/04/2017
1.02	updated packaging	12/17/2019

The revision history provided is for informational purposes only and is believed to be accurate.

---

# CUI DEVICES

CUI Devices offers a one (1) year limited warranty. Complete warranty information is listed on our website.

CUI Devices reserves the right to make changes to the product at any time without notice. Information provided by CUI Devices is believed to be accurate and reliable. However, no responsibility is assumed by CUI Devices for its use, nor for any infringements of patents or other rights of third parties which may result from its use.

CUI Devices products are not authorized or warranted for use as critical components in equipment that requires an extremely high level of reliability. A critical component is any component of a life support device or system whose failure to perform can be reasonably expected to cause the failure of the life support device or system, or to affect its safety or effectiveness.