

FSP3 Series

FSP3-277-20KA(NI) / FSP3-480-20KA(NI)

Patent-pending 3-Pole Fused In-Line Surge Protectors
For LED Drivers, with or without Operating Indicator LED



Rev 12-17-2018

Features

FSP3 Surge Protectors are designed for use in conjunction with LED Drivers to provide an additional level of protection against powerline disturbances in industrial or commercial applications.

- **UL Certified for Factory or Field Wiring**
- FSP3-277-20KA is a 4-leaded device primarily for universal input Phase to Neutral applications and provides protection that includes Line to Neutral, Line to Ground and Neutral to Ground possible couplings
- FSP3-480-20KA is a 5-leaded device for 480VAC Phase to Phase applications and provides protection that includes one Phase to a second Phase, one Phase to Ground, and second Phase to Ground possible couplings
- Provides a positive indication of End-of-Life by opening voltage to the load, and turning off the fixture
- Versions available with and without a green LED indicator - when on, it indicates that the FSP3 is fully functional and providing protection and when off, it indicates that the FSP3 has reached End-of-Life and needs to be replaced
- Protects against surges and transients per ANSI C62.41-2002 category C high (10KV, 1.2/50µS & 10KA, 8/20µS) standard Combo waves and (6KV, 100KHz) Ring wave
- Protects against surges and transients per new ANSI C82.77-5 2015 category C high (20KV, 1.2/50µS & 10KA, 8/20µS) standard Combo waves and (6KV, 100KHz) Ring wave
- UL Recognized Component in the United States and Canada (UL1449)
- Complies with IEC 61643-11; 8.3.4.3
- Patent Pending
- 277V Models: Protection for LED drivers capable of operating at 277V input voltage or with universal input range of 120V through 277V
- 480V Models: Protection for LED drivers capable of operating at 480V input voltage or with universal input ranges of 277V through 480V or 347V through 480V



**Test qualified for Texas DOT,
Departmental Materials Specification
for LED Roadway Lighting**



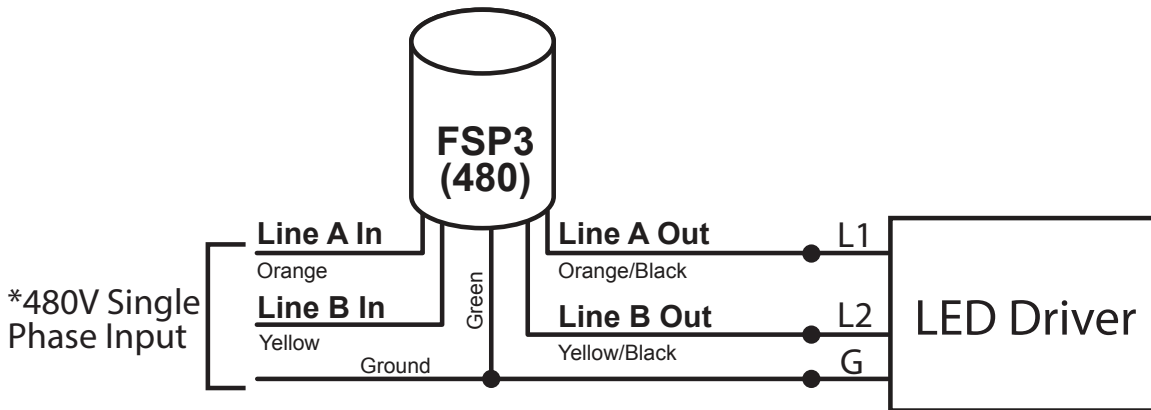
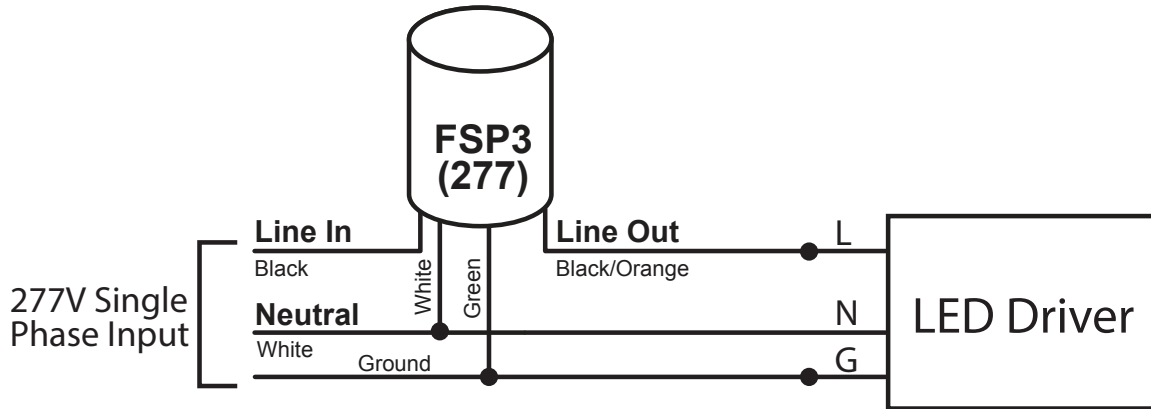
Model	AC Mains Voltage	Continuous Max Current Rating	Max Continuous Operating Voltage		Measured Limiting Voltage (MLV)	Nominal Current (In)	Max Clamping Voltage 8/20 µS @ 20kA	UL1449	LED Indicator
			AC	DC					
FSP3-277-20KA	277V	7.0A	320V	420V	L-N: 1470V L-G: 1340V N-G: 2360V	10kA	2100V	•	•
FSP3-277-20KA-NI	277V	7.0A	320V	420V	L-N: 1470V L-G: 1340V N-G: 2360V	10kA	2100V	•	
FSP3-480-20KA	480V	4.0A	550V	745V	L _A -L _B : 2010V L _A -G: 2140V L _B -G: 2140V	10kA	3800V	•	•
FSP3-480-20KA-NI	480V	4.0A	550V	745V	L _A -L _B : 2010V L _A -G: 2140V L _B -G: 2140V	10kA	3800V	•	



FSP3 Series
FSP3-277-20KA(NI) / FSP3-480-20KA(NI)
 Patent-pending 3-Pole Fused In-Line Surge Protectors
 For LED Drivers, with or without Operating Indicator LED

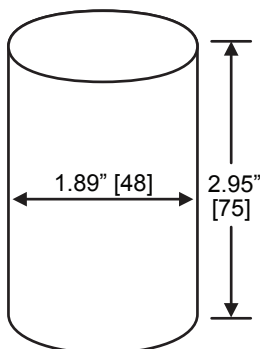


Wiring



*A single phase input from 3-phase system uses only 2-phase line connections (A-B, B-C or C-A)

Dimensions



Leads:
 6", stripped 0.63"
 Lead wire AWG #16
 stranded

Weight:
 0.5 lbs / 197g

Pulse rating (8 x 20 μSec)	
Strikes	Surge
1	20,000 A
2	15,000 A
15	10,000 A
120	3,000 A

