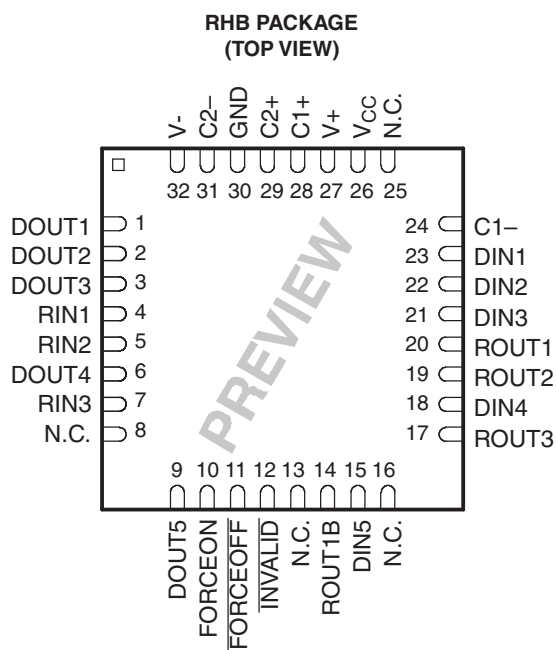
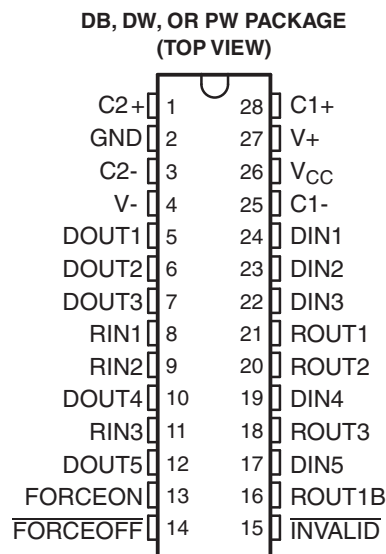


FEATURES

- RS-232 Bus-Pin ESD Protection Exceeds ±15 kV Using Human-Body Model (HBM)
- Meets or Exceeds the Requirements of TIA/EIA-232-F and ITU v.28 Standards
- Operates With 3-V to 5.5-V V_{CC} Supply
- Operates up to 400 kbit/s
- Five Drivers and Three Receivers
- Auto-Powerdown Plus Feature Enables Flexible Power-Down Mode
- Low Standby Current . . . 1 µA Typical
- External Capacitors . . . 4 × 0.1 µF
- Accepts 5-V Logic Input With 3.3-V Supply
- Always-Active Noninverting Receiver Output (ROUT1B)
- Alternative High-Speed Pin-Compatible Device (1 Mbit/s) for TRSF3238
- ESD Protection for RS-232 Interface Pins
 - ±15 kV – Human-Body Model (HBM)
 - ±8 kV – IEC61000-4-2, Contact Discharge
 - ±15 kV – IEC61000-4-2, Air-Gap Discharge

APPLICATIONS

- Battery-Powered Systems
- PDAs
- Notebooks
- Subnotebooks
- Laptops
- Palmtop PCs
- Hand-Held Equipment
- Modems
- Printers



N.C. - Not internally connected

DESCRIPTION/ORDERING INFORMATION

The TRS3238E consists of five line drivers, three line receivers, and a dual charge-pump circuit with ±15-kV ESD (HBM) protection on the driver output (DOUT) and receiver input (RIN) terminals. The device meets the requirements of TIA/EIA-232-F and provides the electrical interface between notebook and subnotebook computer applications. The charge pump and four small external capacitors allow operation from a single 3-V to 5.5-V supply. In addition, the device includes an always-active noninverting output (ROUT1B), which allows applications using the ring indicator to transmit data while the device is powered down. This device operates at data signaling rates up to 250 kbit/s and a maximum of 30-V/µs driver output slew rate.



Please be aware that an important notice concerning availability, standard warranty, and use in critical applications of Texas Instruments semiconductor products and disclaimers thereto appears at the end of this data sheet.

TRS3238E
3-V TO 5.5-V MULTICHANNEL RS-232 LINE DRIVER/RECEIVER
WITH ±15-kV ESD (HBM) PROTECTION

SLLS797–JUNE 2007

DESCRIPTION/ORDERING INFORMATION (CONTINUED)

Flexible control options for power management are featured when the serial port and driver inputs are inactive. The auto-powerdown plus feature functions when FORCEON is low and FORCEOFF is high. During this mode of operation, if the device does not sense valid signal transitions on all receiver and driver inputs for approximately 30 s, the built-in charge pump and drivers are powered down, reducing the supply current to 1 µA. By disconnecting the serial port or placing the peripheral drivers off, auto-powerdown plus occurs if there is no activity in the logic levels for the driver inputs. Auto-powerdown plus can be disabled when FORCEON and FORCEOFF are high. With auto-powerdown plus enabled, the device activates automatically when a valid signal is applied to any receiver or driver input. INVALID is high (valid data) if any receiver input voltage is greater than 2.7 V or less than –2.7 V, or has been between –0.3 V and 0.3 V for less than 30 µs. INVALID is low (invalid data) if all receiver input voltages are between –0.3 V and 0.3 V for more than 30 µs. Refer to Figure 5 for receiver input levels.

ORDERING INFORMATION

| T _A | PACKAGE ⁽¹⁾⁽²⁾ | | ORDERABLE PART NUMBER | TOP-SIDE MARKING |
|----------------|---------------------------|--------------|-----------------------|------------------|
| 0°C to 70°C | SSOP – DB | Tube of 50 | TRS3238ECDB | TRS3238EC |
| | | Reel of 2000 | TRS3238ECDBR | |
| | TSSOP – PW | Tube of 50 | TRS3238ECPW | RS38EC |
| | | Reel of 2000 | TRS3238ECPWR | |
| | SOIC – DW | Reel of 2000 | TRS3238ECDWR | TRS3238EC |
| | QFN – RHB | Reel of 2000 | TRS3238ECRHBR | PREVIEW |
| –40°C to 85°C | SSOP – DB | Tube of 50 | TRS3238EIDB | TRS3238EI |
| | | Reel of 2000 | TRS3238EIDBR | |
| | TSSOP – PW | Tube of 50 | TRS3238EIPW | RS38EI |
| | | Reel of 2000 | TRS3238EIPWR | |
| | SOIC – DW | Reel of 2000 | TRS3238ICDWR | TRS3238EI |
| | QFN – RHB | Reel of 2000 | TRS3238EIRHBR | PREVIEW |

- (1) Package drawings, standard packing quantities, thermal data, symbolization, and PCB design guidelines are available at www.ti.com/sc/package.
- (2) For the most current package and ordering information, see the Package Option Addendum at the end of this document, or see the TI website at www.ti.com.

FUNCTION TABLES
Each Driver⁽¹⁾

| INPUTS | | | | OUTPUT DOUT | DRIVER STATUS |
|--------|---------|------------------------------|---|-------------|--|
| DIN | FORCEON | $\overline{\text{FORCEOFF}}$ | TIME ELAPSED SINCE LAST RIN OR DIN TRANSITION | | |
| X | X | L | X | Z | Powered off |
| L | H | H | X | H | Normal operation with auto-powerdown plus disabled |
| H | H | H | X | L | |
| L | L | H | <30 s | H | Normal operation with auto-powerdown plus enabled |
| H | L | H | <30 s | L | |
| L | L | H | >30 s | Z | Powered off by auto-powerdown plus feature |
| H | L | H | >30 s | Z | |

(1) H = high level, L = low level, X = irrelevant, Z = high impedance

Each Receiver⁽¹⁾

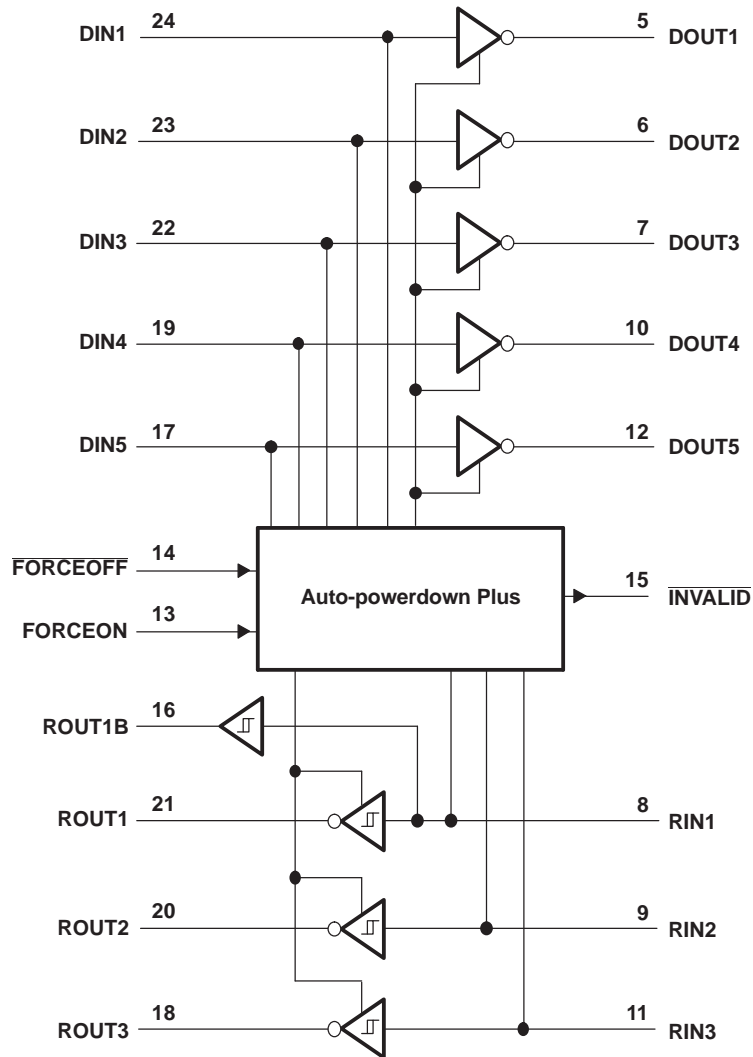
| INPUTS | | | | OUTPUTS | | RECEIVER STATUS |
|--------|-----------|------------------------------|---|---------|-----------------|--|
| RIN1 | RIN2–RIN3 | $\overline{\text{FORCEOFF}}$ | TIME ELAPSED SINCE LAST RIN OR DIN TRANSITION | ROUT1B | ROUT2 AND ROUT3 | |
| L | X | L | X | L | Z | Powered off while ROUT1B is active |
| H | X | L | X | H | Z | |
| L | L | H | <30 s | L | H | Normal operation with auto-powerdown plus disabled/enabled |
| L | H | H | <30 s | L | L | |
| H | L | H | <30 s | H | H | |
| H | H | H | <30 s | H | L | |
| Open | Open | H | <30 s | L | H | |

(1) H = high level, L = low level, X = irrelevant, Z = high impedance (off), Open = input disconnected or connected driver off

TRS3238E
3-V TO 5.5-V MULTICHANNEL RS-232 LINE DRIVER/RECEIVER
WITH ± 15 -kV ESD (HBM) PROTECTION

SLLS797–JUNE 2007

LOGIC DIAGRAM (POSITIVE LOGIC)



Absolute Maximum Ratings⁽¹⁾

over operating free-air temperature range (unless otherwise noted)

| | | MIN | MAX | UNIT | |
|------------------|---|----------------------------|-------|-----------------------|------|
| V _{CC} | Supply voltage range ⁽²⁾ | –0.3 | 6 | V | |
| V+ | Positive-output supply voltage range ⁽²⁾ | –0.3 | 7 | V | |
| V– | Negative-output supply voltage range ⁽²⁾ | 0.3 | –7 | V | |
| V+ – V– | Supply voltage difference ⁽²⁾ | | 13 | V | |
| V _I | Input voltage range | Driver (FORCEOFF, FORCEON) | –0.3 | 6 | V |
| | | Receiver | –25 | 25 | |
| V _O | Output voltage range | Driver | –13.2 | 13.2 | V |
| | | Receiver (INVALID) | –0.3 | V _{CC} + 0.3 | |
| θ_{JA} | Package thermal impedance ⁽³⁾⁽⁴⁾ | DB package | | 62 | °C/W |
| | | DW package | | 46 | |
| | | PW package | | 62 | |
| | | RHB package | | PREVIEW | |
| T _J | Operating virtual junction temperature | | 150 | °C | |
| T _{stg} | Storage temperature range | –65 | 150 | °C | |

- Stresses beyond those listed under "absolute maximum ratings" may cause permanent damage to the device. These are stress ratings only, and functional operation of the device at these or any other conditions beyond those indicated under "recommended operating conditions" is not implied. Exposure to absolute-maximum-rated conditions for extended periods may affect device reliability.
- All voltages are with respect to network GND.
- Maximum power dissipation is a function of T_J(max), θ_{JA} , and T_A. The maximum allowable power dissipation at any allowable ambient temperature is P_D = (T_J(max) – T_A)/ θ_{JA} . Operating at the absolute maximum T_J of 150°C can affect reliability.
- The package thermal impedance is calculated in accordance with JESD 51-7.

Recommended Operating Conditions⁽¹⁾

See Figure 6

| | | MIN | NOM | MAX | UNIT | |
|-----------------|---|-------------------------|-------------------------|-----|------|---|
| Supply voltage | | V _{CC} = 3.3 V | 3 | 3.3 | 3.6 | V |
| | | V _{CC} = 5 V | 4.5 | 5 | 5.5 | |
| V _{IH} | Driver and control high-level input voltage | DIN, FORCEOFF, FORCEON | V _{CC} = 3.3 V | 2 | 5.5 | V |
| | | | V _{CC} = 5 V | 2.4 | 5.5 | |
| V _{IL} | Driver and control low-level input voltage | DIN, FORCEOFF, FORCEON | | 0 | 0.8 | V |
| V _I | Receiver input voltage | –25 | | 25 | V | |
| T _A | Operating free-air temperature | TRS3238EC | 0 | 70 | °C | |
| | | TRS3238EI | –40 | 85 | | |

- Testing supply conditions are C1–C4 = 0.1 μ F at V_{CC} = 3.3 V \pm 0.15 V; C1–C4 = 0.22 μ F at V_{CC} = 3.3 V \pm 0.3 V; and C1 = 0.047 μ F and C2–C4 = 0.33 μ F at V_{CC} = 5 V \pm 0.5 V.

Electrical Characteristics⁽¹⁾

over recommended ranges of supply voltage and operating free-air temperature (unless otherwise noted) (see Figure 6)

| PARAMETER | | TEST CONDITIONS | MIN | TYP ⁽²⁾ | MAX | UNIT |
|-----------------|--|------------------------------|---|--------------------|---------|---------|
| I _I | Input leakage current | FORCEOFF, FORCEON | | ± 0.01 | ± 1 | μ A |
| I _{CC} | Supply current (T _A = 25°C) | Auto-powerdown plus disabled | No load, FORCEOFF and FORCEON at V _{CC} | 0.5 | 2 | mA |
| | | Powered off | No load, FORCEOFF at GND | 1 | 10 | μ A |
| | | Auto-powerdown plus enabled | No load, FORCEOFF at V _{CC} , FORCEON at GND, All RIN are open or grounded | 1 | 10 | |

- Testing supply conditions are C1–C4 = 0.1 μ F at V_{CC} = 3.3 V \pm 0.15 V; C1–C4 = 0.22 μ F at V_{CC} = 3.3 V \pm 0.3 V; and C1 = 0.047 μ F and C2–C4 = 0.33 μ F at V_{CC} = 5 V \pm 0.5 V.
- All typical values are at V_{CC} = 3.3 V or V_{CC} = 5 V, and T_A = 25°C.

TRS3238E
3-V TO 5.5-V MULTICHANNEL RS-232 LINE DRIVER/RECEIVER
WITH ±15-kV ESD (HBM) PROTECTION

SLLS797–JUNE 2007

DRIVER SECTION

Electrical Characteristics⁽¹⁾

over recommended ranges of supply voltage and operating free-air temperature (unless otherwise noted) (see [Figure 6](#))

| PARAMETER | | TEST CONDITIONS | MIN | TYP ⁽²⁾ | MAX | UNIT |
|-----------------|---|---|--|--------------------|------|------|
| V _{OH} | High-level output voltage | All DOUT at R _L = 3 kΩ to GND | 5 | 5.4 | | V |
| V _{OL} | Low-level output voltage | All DOUT at R _L = 3 kΩ to GND | –5 | –5.4 | | V |
| I _{IH} | High-level input current | V _I = V _{CC} | | ±0.01 | ±1 | μA |
| I _{IL} | Low-level input current | V _I at GND | | ±0.01 | ±1 | μA |
| I _{OS} | Short-circuit output current ⁽³⁾ | V _{CC} = 3.6 V, V _O = 0 V | | ±35 | ±60 | mA |
| | | V _{CC} = 5.5 V, V _O = 0 V | | ±40 | ±100 | |
| r _o | Output resistance | V _{CC} , V+, and V– = 0 V, V _O = ±2 V | 300 | 10M | | Ω |
| I _{OZ} | Output leakage current | FORCEOFF = GND | V _O = ±12 V, V _{CC} = 3 V to 3.6 V | | ±25 | μA |
| | | | V _O = ±10 V, V _{CC} = 4.5 V to 5.5 V | | ±25 | |

- (1) Testing supply conditions are C1–C4 = 0.1 μF at V_{CC} = 3.3 V ± 0.15 V; C1–C4 = 0.22 μF at V_{CC} = 3.3 V ± 0.3 V; and C1 = 0.047 μF and C2–C4 = 0.33 μF at V_{CC} = 5 V ± 0.5 V.
- (2) All typical values are at V_{CC} = 3.3 V or V_{CC} = 5 V, and T_A = 25°C.
- (3) Short-circuit durations should be controlled to prevent exceeding the device absolute power dissipation ratings, and not more than one output should be shorted at a time.

Switching Characteristics⁽¹⁾

over recommended ranges of supply voltage and operating free-air temperature (unless otherwise noted) (see [Figure 6](#))

| PARAMETER | | TEST CONDITIONS | MIN | TYP ⁽²⁾ | MAX | UNIT |
|--------------------|--|---|------------------------------------|--------------------|-----|--------|
| | Maximum data rate | C _L = 1000 pF, R _L = 3 kΩ, One DOUT switching, See Figure 1 | 250 | 400 | | kbit/s |
| t _{sk(p)} | Pulse skew ⁽³⁾ | C _L = 150 pF to 2500 pF, R _L = 3 kΩ to 7 kΩ, See Figure 2 | | 100 | | ns |
| SR(tr) | Slew rate, transition region (see Figure 1) | V _{CC} = 3.3 V, R _L = 3 kΩ to 7 kΩ | C _L = 150 pF to 1000 pF | 6 | 30 | V/μs |
| | | | C _L = 150 pF to 2500 pF | 4 | 30 | |

- (1) Testing supply conditions are C1–C4 = 0.1 μF at V_{CC} = 3.3 V ± 0.15 V; C1–C4 = 0.22 μF at V_{CC} = 3.3 V ± 0.3 V; and C1 = 0.047 μF and C2–C4 = 0.33 μF at V_{CC} = 5 V ± 0.5 V.
- (2) All typical values are at V_{CC} = 3.3 V or V_{CC} = 5 V, and T_A = 25°C.
- (3) Pulse skew is defined as |t_{PLH} – t_{PHL}| of each channel of the same device.

ESD Protection

| PARAMETER | TEST CONDITIONS | TYP | UNIT |
|-----------|----------------------------------|-----|------|
| DOUT | HBM | ±15 | kV |
| | IEC 61000-4-2, Air-Gap Discharge | ±15 | |
| | IEC 61000-4-2, Contact Discharge | ±8 | |

RECEIVER SECTION

Electrical Characteristics⁽¹⁾

over recommended ranges of supply voltage and operating free-air temperature (unless otherwise noted) (see [Figure 6](#))

| PARAMETER | | TEST CONDITIONS | MIN | TYP ⁽²⁾ | MAX | UNIT |
|------------------|---|--------------------------------|-----------------------|-----------------------|-----|------|
| V _{OH} | High-level output voltage | I _{OH} = -1 mA | V _{CC} - 0.6 | V _{CC} - 0.1 | | V |
| V _{OL} | Low-level output voltage | I _{OL} = 1.6 mA | | | 0.4 | V |
| V _{IT+} | Positive-going input threshold voltage | V _{CC} = 3.3 V | | 1.5 | 2.4 | V |
| | | V _{CC} = 5 V | | 1.8 | 2.4 | |
| V _{IT-} | Negative-going input threshold voltage | V _{CC} = 3.3 V | 0.6 | 1.2 | | V |
| | | V _{CC} = 5 V | 0.8 | 1.5 | | |
| V _{hys} | Input hysteresis (V _{IT+} - V _{IT-}) | | | 0.3 | | V |
| I _{OZ} | Output leakage current (except ROUT1B) | FORCEOFF = 0 V | | ±0.05 | ±10 | µA |
| r _i | Input resistance | V _i = ±3 V to ±25 V | 3 | 5 | 7 | kΩ |

(1) Testing supply conditions are C1–C4 = 0.1 µF at V_{CC} = 3.3 V ± 0.15 V; C1–C4 = 0.22 µF at V_{CC} = 3.3 V ± 0.3 V; and C1 = 0.047 µF and C2–C4 = 0.33 µF at V_{CC} = 5 V ± 0.5 V.

(2) All typical values are at V_{CC} = 3.3 V or V_{CC} = 5 V, and T_A = 25°C.

Switching Characteristics⁽¹⁾

over recommended ranges of supply voltage and operating free-air temperature (unless otherwise noted)

| PARAMETER | | TEST CONDITIONS | TYP ⁽²⁾ | UNIT |
|--------------------|---|--|--------------------|------|
| t _{PLH} | Propagation delay time, low- to high-level output | C _L = 150 pF, See Figure 3 | 150 | ns |
| t _{PHL} | Propagation delay time, high- to low-level output | C _L = 150 pF, See Figure 3 | 150 | ns |
| t _{en} | Output enable time | C _L = 150 pF, R _L = 3 kΩ, See Figure 4 | 200 | ns |
| t _{dis} | Output disable time | C _L = 150 pF, R _L = 3 kΩ, See Figure 4 | 200 | ns |
| t _{sk(p)} | Pulse skew ⁽³⁾ | See Figure 3 | 50 | ns |

(1) Testing supply conditions are C1–C4 = 0.1 µF at V_{CC} = 3.3 V ± 0.15 V; C1–C4 = 0.22 µF at V_{CC} = 3.3 V ± 0.3 V; and C1 = 0.047 µF and C2–C4 = 0.33 µF at V_{CC} = 5 V ± 0.5 V.

(2) All typical values are at V_{CC} = 3.3 V or V_{CC} = 5 V, and T_A = 25°C.

(3) Pulse skew is defined as |t_{PLH} - t_{PHL}| of each channel of the same device.

ESD Protection

| PARAMETER | TEST CONDITIONS | TYP | UNIT |
|-----------|----------------------------------|-----|------|
| RIN | HBM | ±15 | kV |
| | IEC 61000-4-2, Air-Gap Discharge | ±15 | |
| | IEC 61000-4-2, Contact Discharge | ±8 | |

TRS3238E
3-V TO 5.5-V MULTICHANNEL RS-232 LINE DRIVER/RECEIVER
WITH ± 15 -kV ESD (HBM) PROTECTION

SLLS797–JUNE 2007

AUTO-POWERDOWN PLUS SECTION

Electrical Characteristics

over recommended ranges of supply voltage and operating free-air temperature (unless otherwise noted) (see [Figure 5](#))

| PARAMETER | | TEST CONDITIONS | MIN | MAX | UNIT |
|------------------|---|--|----------------|-----|------|
| $V_{T+(valid)}$ | Receiver input threshold for $\overline{INVALID}$ high-level output voltage | FORCEON = GND, $\overline{FORCEOFF} = V_{CC}$ | | 2.7 | V |
| $V_{T-(valid)}$ | Receiver input threshold for $\overline{INVALID}$ high-level output voltage | FORCEON = GND, $\overline{FORCEOFF} = V_{CC}$ | -2.7 | | V |
| $V_{T(invalid)}$ | Receiver input threshold for $\overline{INVALID}$ low-level output voltage | FORCEON = GND, $\overline{FORCEOFF} = V_{CC}$ | -0.3 | 0.3 | V |
| V_{OH} | $\overline{INVALID}$ high-level output voltage | $I_{OH} = -1$ mA, FORCEON = GND, $\overline{FORCEOFF} = V_{CC}$ | $V_{CC} - 0.6$ | | V |
| V_{OL} | $\overline{INVALID}$ low-level output voltage | $I_{OL} = 1.6$ mA, FORCEON = GND, $\overline{FORCEOFF} = V_{CC}$ | | 0.4 | V |

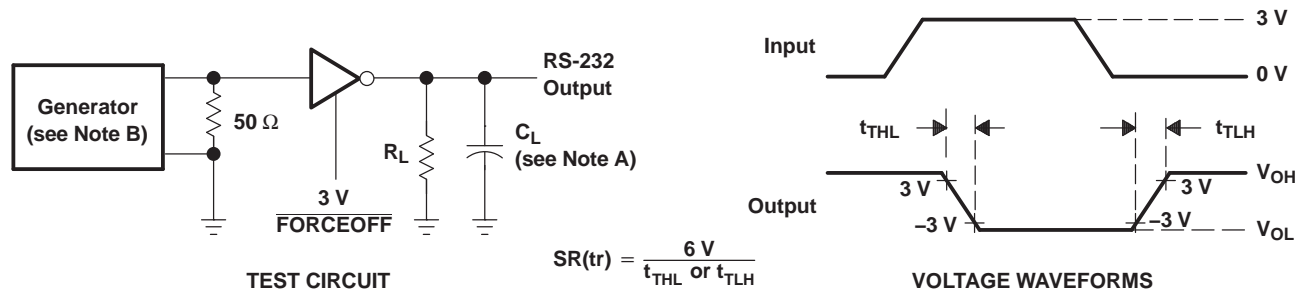
Switching Characteristics

over recommended ranges of supply voltage and operating free-air temperature (unless otherwise noted) (see [Figure 5](#))

| PARAMETER | | MIN | TYP ⁽¹⁾ | MAX | UNIT |
|---------------|---|-----|--------------------|-----|---------|
| t_{valid} | Propagation delay time, low- to high-level output | | 0.1 | | μ s |
| $t_{invalid}$ | Propagation delay time, high- to low-level output | | 50 | | μ s |
| t_{en} | Supply enable time | | 25 | | μ s |
| t_{dis} | Receiver or driver edge to auto-powerdown plus | 15 | 30 | 60 | s |

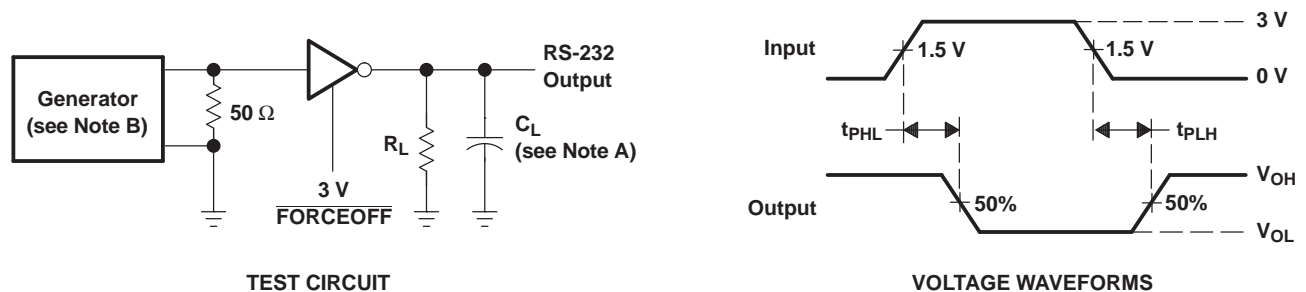
(1) All typical values are at $V_{CC} = 3.3$ V or $V_{CC} = 5$ V, and $T_A = 25^\circ\text{C}$.

PARAMETER MEASUREMENT INFORMATION



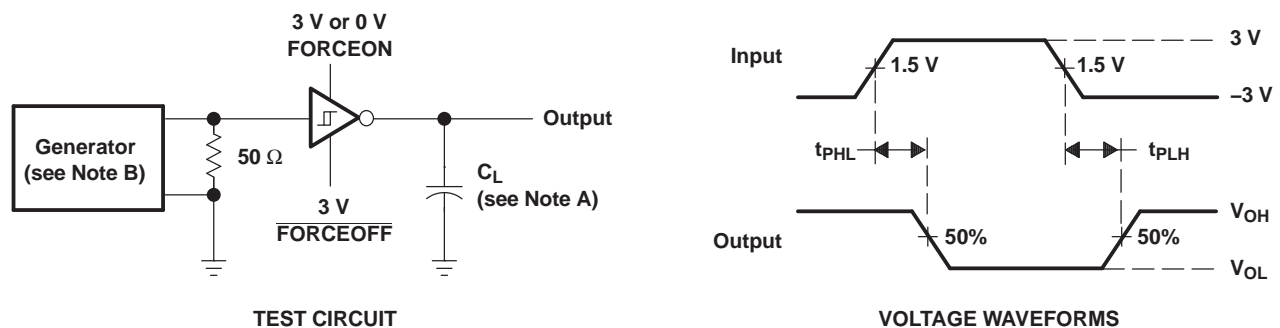
- A. C_L includes probe and jig capacitance.
- B. The pulse generator has the following characteristics: PRR = 250 kbit/s, $Z_O = 50 \Omega$, 50% duty cycle, $t_r \leq 10$ ns, $t_f \leq 10$ ns.

Figure 1. Driver Slew Rate



- A. C_L includes probe and jig capacitance.
- B. The pulse generator has the following characteristics: PRR = 250 kbit/s, $Z_O = 50 \Omega$, 50% duty cycle, $t_r \leq 10$ ns, $t_f \leq 10$ ns.

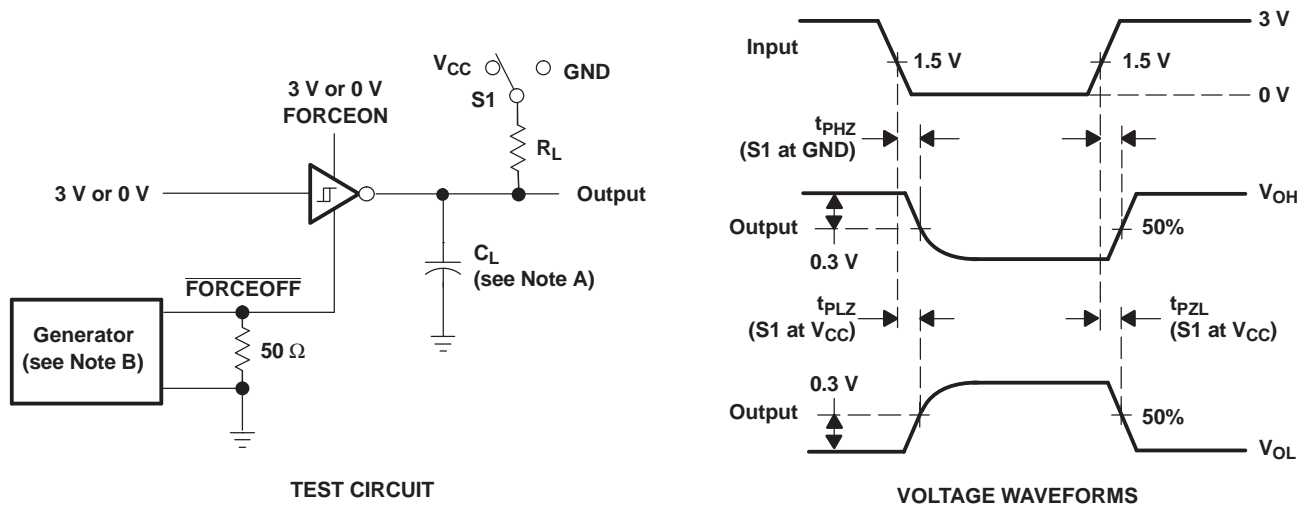
Figure 2. Driver Pulse Skew



- A. C_L includes probe and jig capacitance.
- B. The pulse generator has the following characteristics: $Z_O = 50 \Omega$, 50% duty cycle, $t_r \leq 10$ ns, $t_f \leq 10$ ns.

Figure 3. Receiver Propagation Delay Times

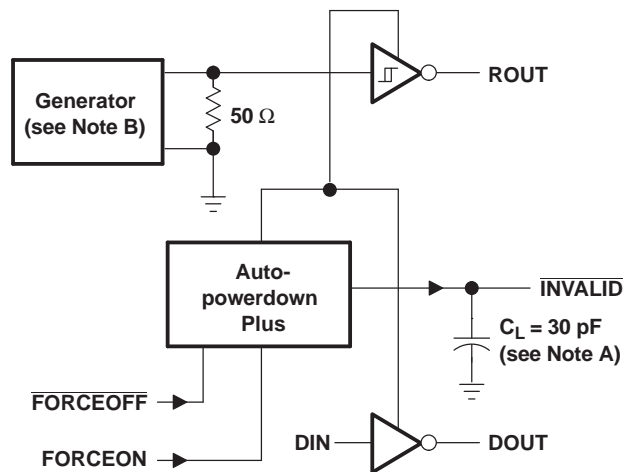
PARAMETER MEASUREMENT INFORMATION (continued)



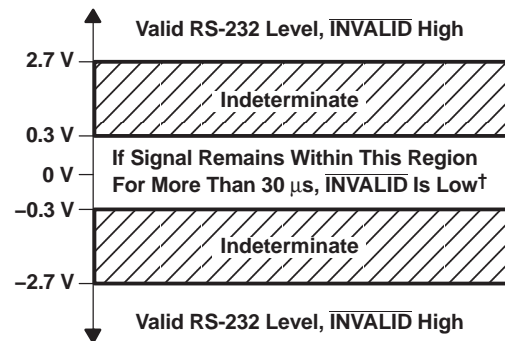
- A. C_L includes probe and jig capacitance.
- B. The pulse generator has the following characteristics: $Z_O = 50 \Omega$, 50% duty cycle, $t_r \leq 10$ ns, $t_f \leq 10$ ns.
- C. t_{PLZ} and t_{PHZ} are the same as t_{dis} .
- D. t_{PZL} and t_{PZH} are the same as t_{en} .

Figure 4. Receiver Enable and Disable Times

PARAMETER MEASUREMENT INFORMATION (continued)



TEST CIRCUIT



† Auto-powerdown plus disables drivers and reduces supply current to 1 μ A.

- NOTES: A. C_L includes probe and jig capacitance.
B. The pulse generator has the following characteristics: PRR = 5 kbit/s, $Z_O = 50 \Omega$, 50% duty cycle, $t_r \leq 10$ ns, $t_f \leq 10$ ns.

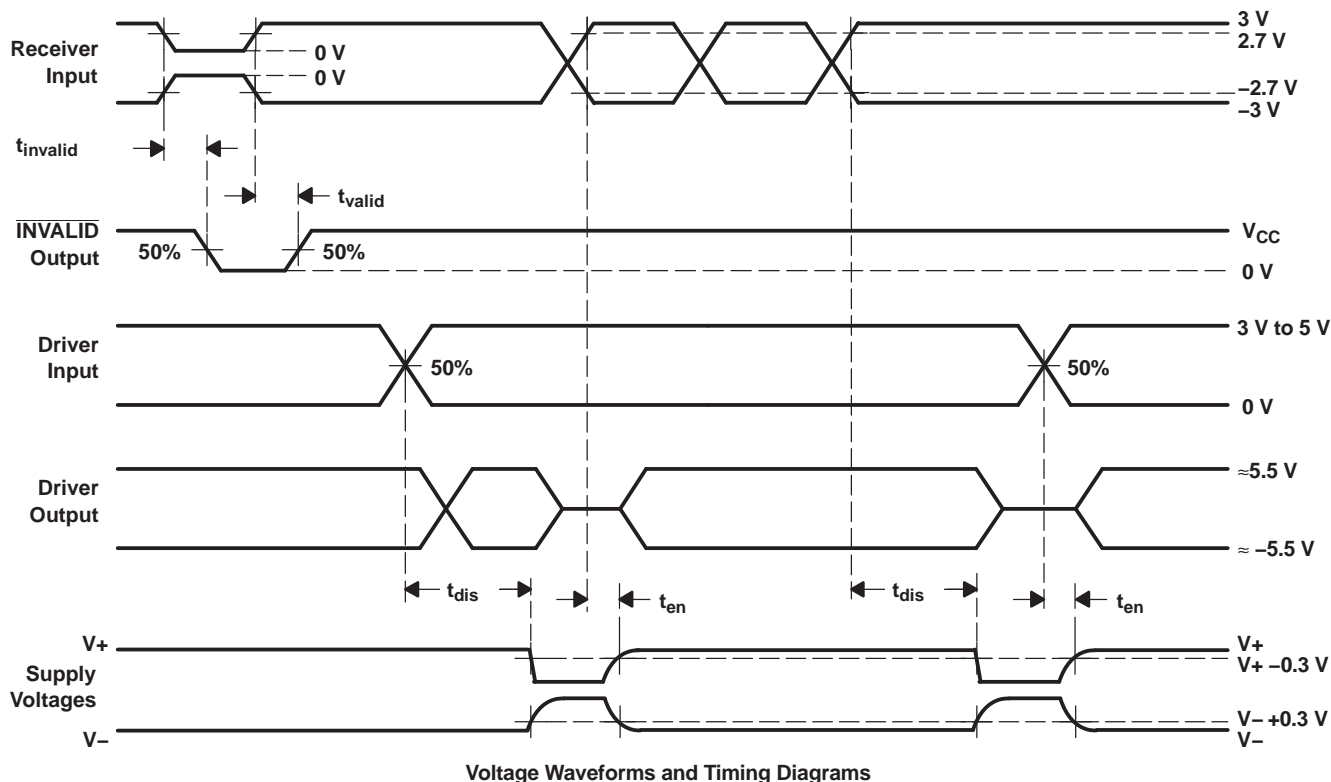
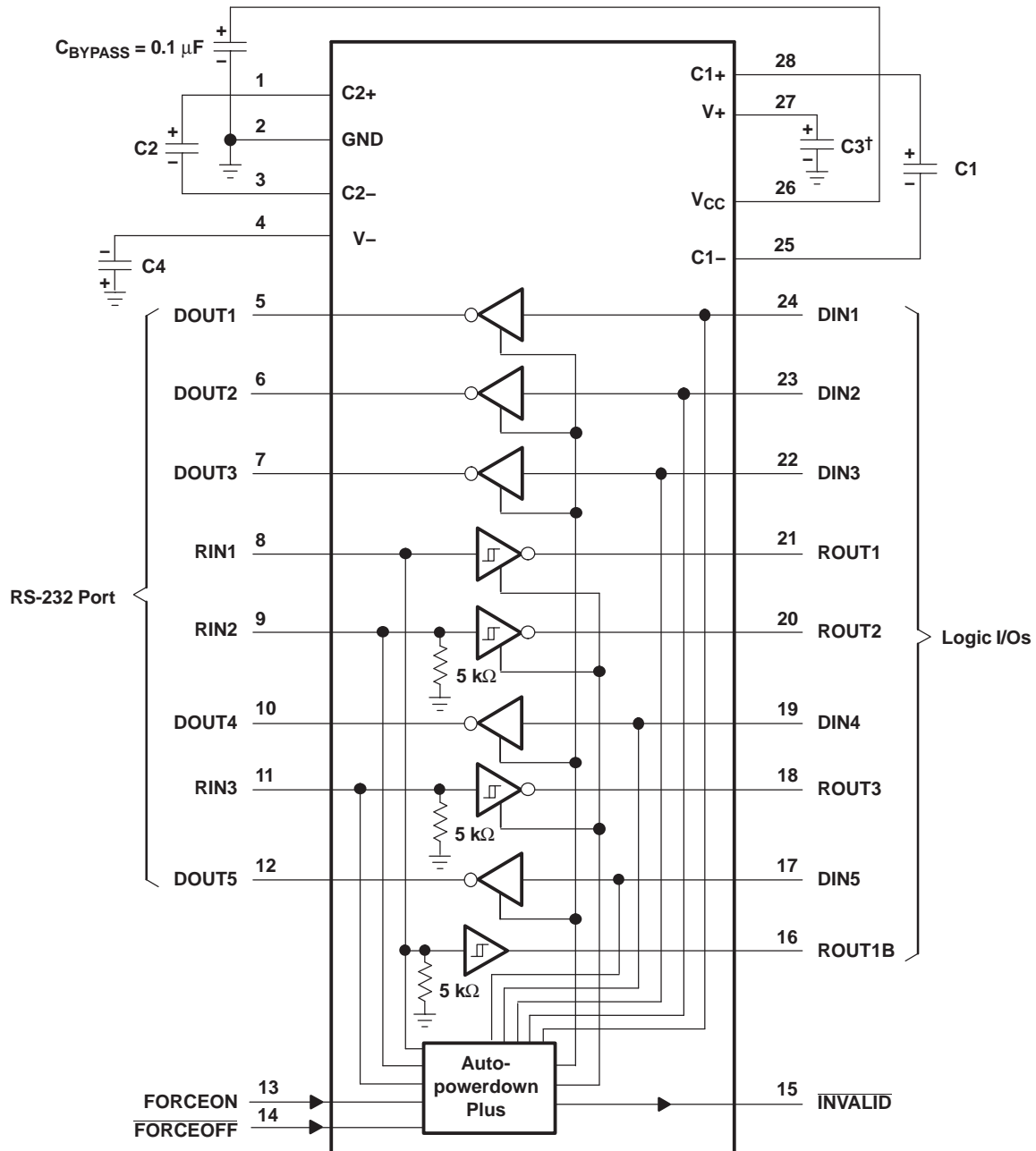


Figure 5. $\overline{\text{INVALID}}$ Propagation-Delay Times and Supply-Enabling Time

APPLICATION INFORMATION



V_{CC} vs CAPACITOR VALUES

| V _{CC} | C1 | C2, C3, and C4 |
|-----------------|----------|----------------|
| 3.3 V ± 0.15 V | 0.1 μF | 0.1 μF |
| 3.3 V ± 0.3 V | 0.22 μF | 0.22 μF |
| 5 V ± 0.5 V | 0.047 μF | 0.33 μF |
| 3 V to 5.5 V | 0.22 μF | 1 μF |

† C3 can be connected to V_{CC} or GND.

NOTES: A. Resistor values shown are nominal.

B. Nonpolarized ceramic capacitors are acceptable. If polarized tantalum or electrolytic capacitors are used, they should be connected as shown.

Figure 6. Typical Operating Circuit and Capacitor Values

PACKAGING INFORMATION

| Orderable Device | Status (1) | Package Type | Package Drawing | Pins | Package Qty | Eco Plan (2) | Lead finish/ Ball material (6) | MSL Peak Temp (3) | Op Temp (°C) | Device Marking (4/5) | Samples |
|------------------|---------------|--------------|-----------------|------|-------------|-----------------|--------------------------------------|----------------------|--------------|-------------------------|-------------------------|
| TRS3238ECDB | ACTIVE | SSOP | DB | 28 | 50 | RoHS & Green | NIPDAU | Level-1-260C-UNLIM | 0 to 70 | TRS3238EC | Samples |
| TRS3238ECDBR | ACTIVE | SSOP | DB | 28 | 2000 | RoHS & Green | NIPDAU | Level-1-260C-UNLIM | 0 to 70 | TRS3238EC | Samples |
| TRS3238ECPWR | ACTIVE | TSSOP | PW | 28 | 2000 | RoHS & Green | NIPDAU | Level-1-260C-UNLIM | 0 to 70 | RS38EC | Samples |
| TRS3238EIDB | ACTIVE | SSOP | DB | 28 | 50 | RoHS & Green | NIPDAU | Level-1-260C-UNLIM | -40 to 85 | TRS3238EI | Samples |
| TRS3238EIDBR | ACTIVE | SSOP | DB | 28 | 2000 | RoHS & Green | NIPDAU | Level-1-260C-UNLIM | -40 to 85 | TRS3238EI | Samples |
| TRS3238EIPW | ACTIVE | TSSOP | PW | 28 | 50 | RoHS & Green | NIPDAU | Level-1-260C-UNLIM | -40 to 85 | RS38EI | Samples |
| TRS3238EIPWR | ACTIVE | TSSOP | PW | 28 | 2000 | RoHS & Green | NIPDAU | Level-1-260C-UNLIM | -40 to 85 | RS38EI | Samples |

(1) The marketing status values are defined as follows:

ACTIVE: Product device recommended for new designs.

LIFEBUY: TI has announced that the device will be discontinued, and a lifetime-buy period is in effect.

NRND: Not recommended for new designs. Device is in production to support existing customers, but TI does not recommend using this part in a new design.

PREVIEW: Device has been announced but is not in production. Samples may or may not be available.

OBSOLETE: TI has discontinued the production of the device.

(2) **RoHS:** TI defines "RoHS" to mean semiconductor products that are compliant with the current EU RoHS requirements for all 10 RoHS substances, including the requirement that RoHS substance do not exceed 0.1% by weight in homogeneous materials. Where designed to be soldered at high temperatures, "RoHS" products are suitable for use in specified lead-free processes. TI may reference these types of products as "Pb-Free".

RoHS Exempt: TI defines "RoHS Exempt" to mean products that contain lead but are compliant with EU RoHS pursuant to a specific EU RoHS exemption.

Green: TI defines "Green" to mean the content of Chlorine (Cl) and Bromine (Br) based flame retardants meet JS709B low halogen requirements of <=1000ppm threshold. Antimony trioxide based flame retardants must also meet the <=1000ppm threshold requirement.

(3) MSL, Peak Temp. - The Moisture Sensitivity Level rating according to the JEDEC industry standard classifications, and peak solder temperature.

(4) There may be additional marking, which relates to the logo, the lot trace code information, or the environmental category on the device.

(5) Multiple Device Markings will be inside parentheses. Only one Device Marking contained in parentheses and separated by a "~" will appear on a device. If a line is indented then it is a continuation of the previous line and the two combined represent the entire Device Marking for that device.

⁽⁶⁾ Lead finish/Ball material - Orderable Devices may have multiple material finish options. Finish options are separated by a vertical ruled line. Lead finish/Ball material values may wrap to two lines if the finish value exceeds the maximum column width.

Important Information and Disclaimer:The information provided on this page represents TI's knowledge and belief as of the date that it is provided. TI bases its knowledge and belief on information provided by third parties, and makes no representation or warranty as to the accuracy of such information. Efforts are underway to better integrate information from third parties. TI has taken and continues to take reasonable steps to provide representative and accurate information but may not have conducted destructive testing or chemical analysis on incoming materials and chemicals. TI and TI suppliers consider certain information to be proprietary, and thus CAS numbers and other limited information may not be available for release.

In no event shall TI's liability arising out of such information exceed the total purchase price of the TI part(s) at issue in this document sold by TI to Customer on an annual basis.

TAPE AND REEL INFORMATION

QUADRANT ASSIGNMENTS FOR PIN 1 ORIENTATION IN TAPE


*All dimensions are nominal

| Device | Package Type | Package Drawing | Pins | SPQ | Reel Diameter (mm) | Reel Width W1 (mm) | A0 (mm) | B0 (mm) | K0 (mm) | P1 (mm) | W (mm) | Pin1 Quadrant |
|--------------|--------------|-----------------|------|------|--------------------|--------------------|---------|---------|---------|---------|--------|---------------|
| TRS3238ECDBR | SSOP | DB | 28 | 2000 | 330.0 | 16.4 | 8.2 | 10.5 | 2.5 | 12.0 | 16.0 | Q1 |
| TRS3238ECPWR | TSSOP | PW | 28 | 2000 | 330.0 | 16.4 | 6.9 | 10.2 | 1.8 | 12.0 | 16.0 | Q1 |
| TRS3238EIDBR | SSOP | DB | 28 | 2000 | 330.0 | 16.4 | 8.2 | 10.5 | 2.5 | 12.0 | 16.0 | Q1 |
| TRS3238EIPWR | TSSOP | PW | 28 | 2000 | 330.0 | 16.4 | 6.9 | 10.2 | 1.8 | 12.0 | 16.0 | Q1 |

TAPE AND REEL BOX DIMENSIONS


*All dimensions are nominal

| Device | Package Type | Package Drawing | Pins | SPQ | Length (mm) | Width (mm) | Height (mm) |
|--------------|--------------|-----------------|------|------|-------------|------------|-------------|
| TRS3238ECDBR | SSOP | DB | 28 | 2000 | 853.0 | 449.0 | 35.0 |
| TRS3238ECPWR | TSSOP | PW | 28 | 2000 | 853.0 | 449.0 | 35.0 |
| TRS3238EIDBR | SSOP | DB | 28 | 2000 | 853.0 | 449.0 | 35.0 |
| TRS3238EIPWR | TSSOP | PW | 28 | 2000 | 853.0 | 449.0 | 35.0 |

TUBE


*All dimensions are nominal

| Device | Package Name | Package Type | Pins | SPQ | L (mm) | W (mm) | T (μm) | B (mm) |
|-------------|--------------|--------------|------|-----|--------|--------|--------|--------|
| TRS3238ECDB | DB | SSOP | 28 | 50 | 530 | 10.5 | 4000 | 4.1 |
| TRS3238EIDB | DB | SSOP | 28 | 50 | 530 | 10.5 | 4000 | 4.1 |
| TRS3238EIPW | PW | TSSOP | 28 | 50 | 530 | 10.2 | 3600 | 3.5 |

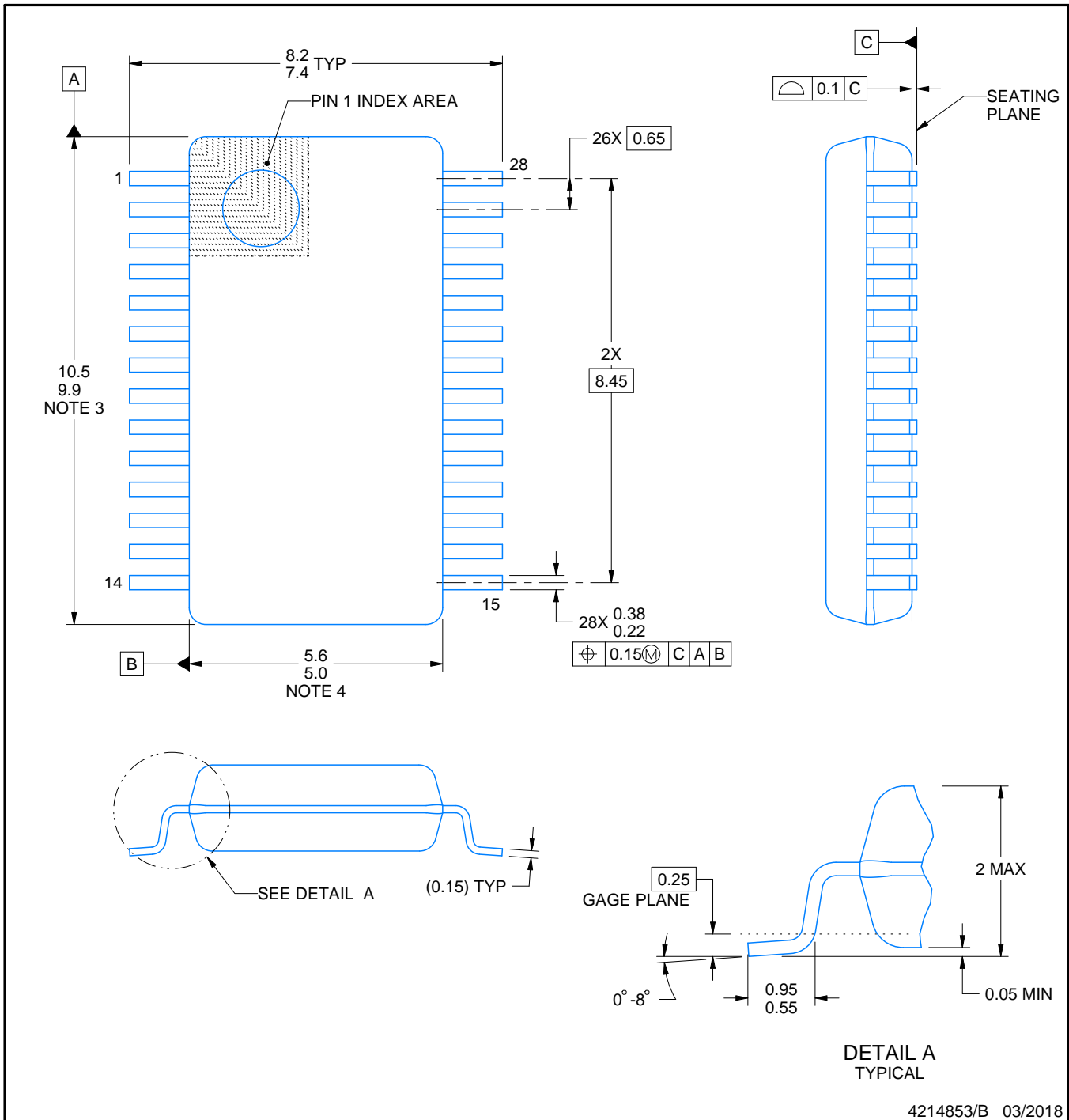
DB0028A



PACKAGE OUTLINE

SSOP - 2 mm max height

SMALL OUTLINE PACKAGE



4214853/B 03/2018

NOTES:

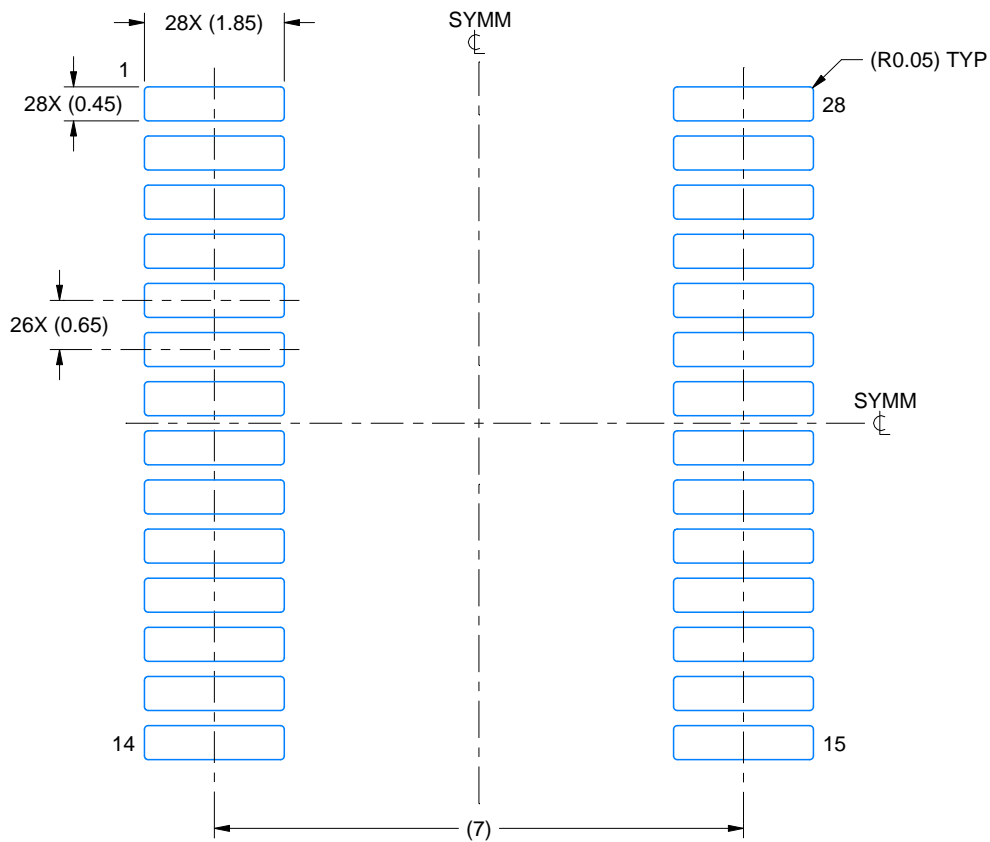
1. All linear dimensions are in millimeters. Any dimensions in parenthesis are for reference only. Dimensioning and tolerancing per ASME Y14.5M.
2. This drawing is subject to change without notice.
3. This dimension does not include mold flash, protrusions, or gate burrs. Mold flash, protrusions, or gate burrs shall not exceed 0.15 mm per side.
4. This dimension does not include interlead flash. Interlead flash shall not exceed 0.25 mm per side.
5. Reference JEDEC registration MO-150.

EXAMPLE BOARD LAYOUT

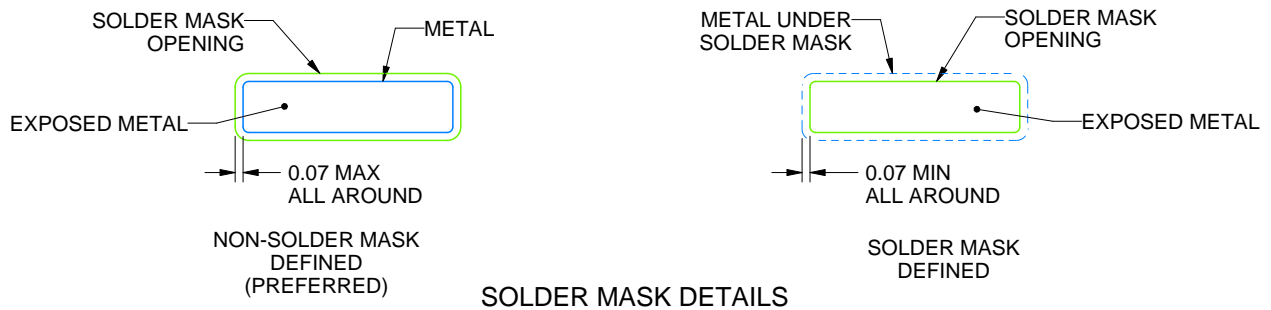
DB0028A

SSOP - 2 mm max height

SMALL OUTLINE PACKAGE



LAND PATTERN EXAMPLE
EXPOSED METAL SHOWN
SCALE: 10X



4214853/B 03/2018

NOTES: (continued)

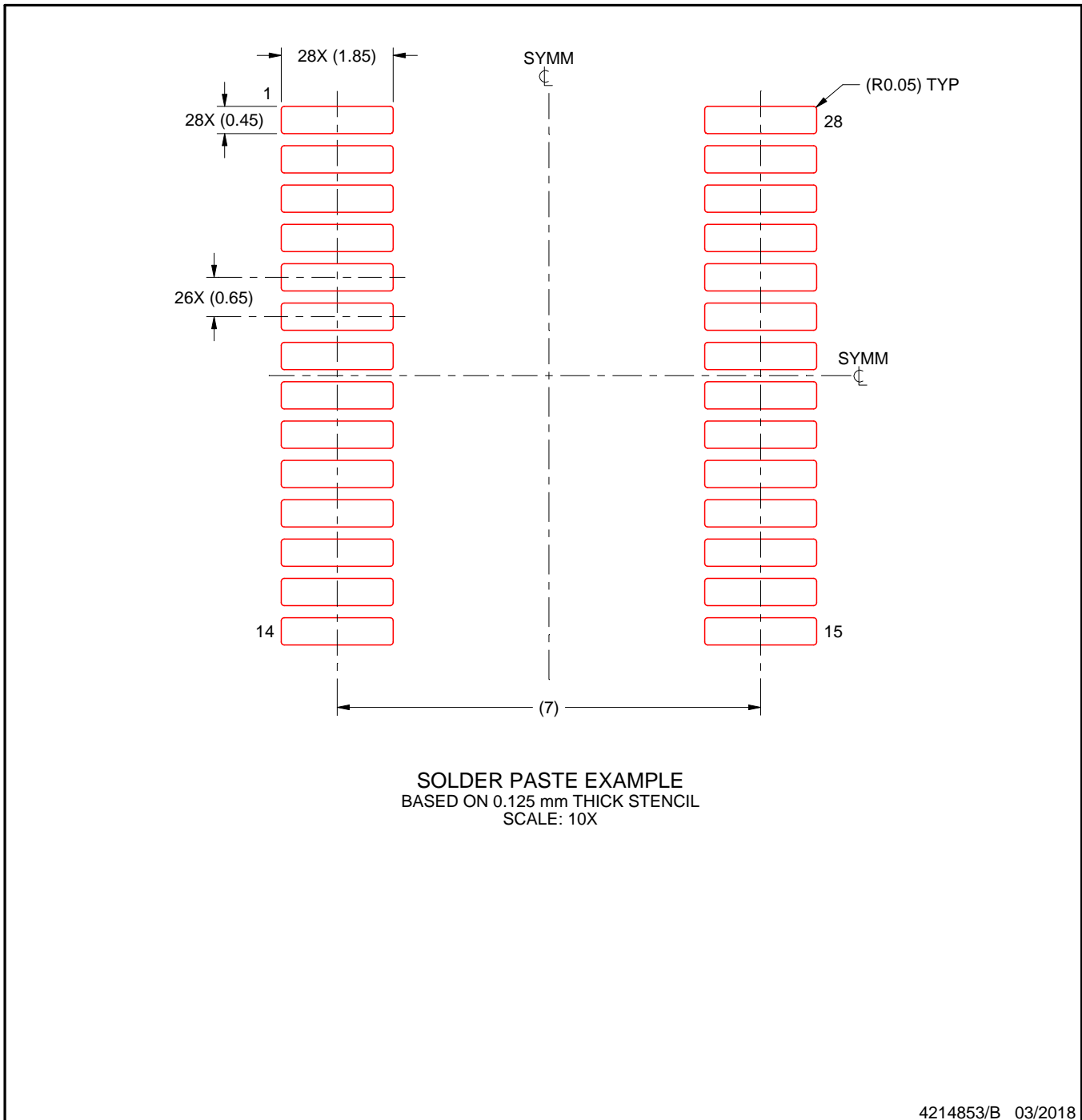
- 6. Publication IPC-7351 may have alternate designs.
- 7. Solder mask tolerances between and around signal pads can vary based on board fabrication site.

EXAMPLE STENCIL DESIGN

DB0028A

SSOP - 2 mm max height

SMALL OUTLINE PACKAGE



NOTES: (continued)

8. Laser cutting apertures with trapezoidal walls and rounded corners may offer better paste release. IPC-7525 may have alternate design recommendations.
9. Board assembly site may have different recommendations for stencil design.

MECHANICAL DATA

PW (R-PDSO-G28)

PLASTIC SMALL OUTLINE



4040064-7/G 02/11

- NOTES:
- A. All linear dimensions are in millimeters. Dimensioning and tolerancing per ASME Y14.5M-1994.
 - B. This drawing is subject to change without notice.
 - C. Body length does not include mold flash, protrusions, or gate burrs. Mold flash, protrusions, or gate burrs shall not exceed 0,15 each side.
 - D. Body width does not include interlead flash. Interlead flash shall not exceed 0,25 each side.
 - E. Falls within JEDEC MO-153

PW (R-PDSO-G28)

PLASTIC SMALL OUTLINE



- NOTES:
- All linear dimensions are in millimeters.
 - This drawing is subject to change without notice.
 - Publication IPC-7351 is recommended for alternate design.
 - Laser cutting apertures with trapezoidal walls and also rounding corners will offer better paste release. Customers should contact their board assembly site for stencil design recommendations. Refer to IPC-7525 for other stencil recommendations.
 - Customers should contact their board fabrication site for solder mask tolerances between and around signal pads.

IMPORTANT NOTICE AND DISCLAIMER

TI PROVIDES TECHNICAL AND RELIABILITY DATA (INCLUDING DATA SHEETS), DESIGN RESOURCES (INCLUDING REFERENCE DESIGNS), APPLICATION OR OTHER DESIGN ADVICE, WEB TOOLS, SAFETY INFORMATION, AND OTHER RESOURCES "AS IS" AND WITH ALL FAULTS, AND DISCLAIMS ALL WARRANTIES, EXPRESS AND IMPLIED, INCLUDING WITHOUT LIMITATION ANY IMPLIED WARRANTIES OF MERCHANTABILITY, FITNESS FOR A PARTICULAR PURPOSE OR NON-INFRINGEMENT OF THIRD PARTY INTELLECTUAL PROPERTY RIGHTS.

These resources are intended for skilled developers designing with TI products. You are solely responsible for (1) selecting the appropriate TI products for your application, (2) designing, validating and testing your application, and (3) ensuring your application meets applicable standards, and any other safety, security, regulatory or other requirements.

These resources are subject to change without notice. TI grants you permission to use these resources only for development of an application that uses the TI products described in the resource. Other reproduction and display of these resources is prohibited. No license is granted to any other TI intellectual property right or to any third party intellectual property right. TI disclaims responsibility for, and you will fully indemnify TI and its representatives against, any claims, damages, costs, losses, and liabilities arising out of your use of these resources.

TI's products are provided subject to [TI's Terms of Sale](#) or other applicable terms available either on ti.com or provided in conjunction with such TI products. TI's provision of these resources does not expand or otherwise alter TI's applicable warranties or warranty disclaimers for TI products.

TI objects to and rejects any additional or different terms you may have proposed.

Mailing Address: Texas Instruments, Post Office Box 655303, Dallas, Texas 75265
Copyright © 2022, Texas Instruments Incorporated