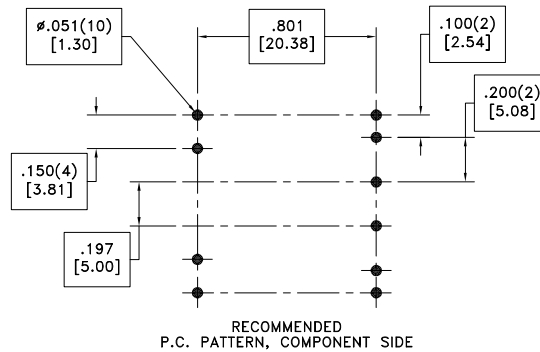
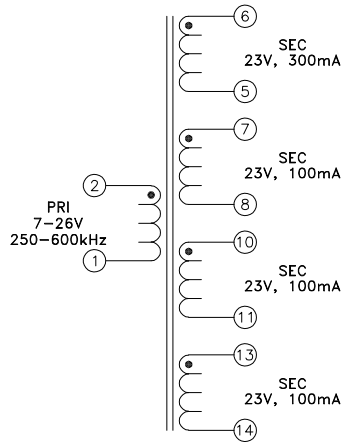
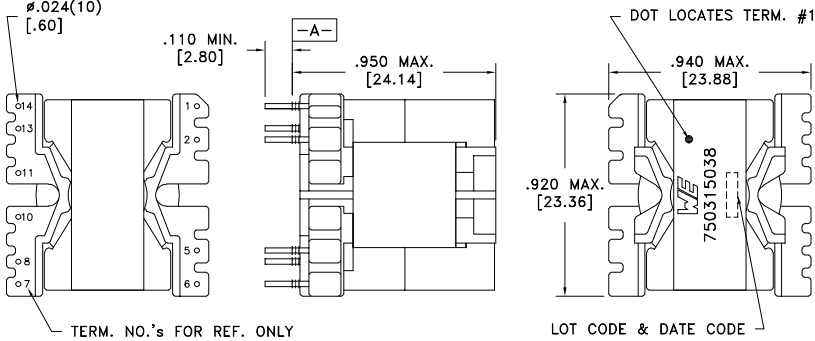


CUSTOMER TERMINAL	RoHS	LEAD(Pb)-FREE
Sn96%, Ag4%	Yes	Yes



PART MUST INSERT FULLY TO SURFACE A IN RECOMMENDED GRID



ELECTRICAL SPECIFICATIONS @ 25°C unless otherwise noted:

PARAMETER	TEST CONDITIONS	VALUE
D.C. RESISTANCE	2-1 @20°C	0.042 ohms ±20%
D.C. RESISTANCE	6-5 @20°C	0.230 ohms ±10%
D.C. RESISTANCE	7-8 @20°C	0.506 ohms ±10%
D.C. RESISTANCE	10-11 @20°C	0.506 ohms ±10%
D.C. RESISTANCE	13-14 @20°C	0.506 ohms ±10%
INDUCTANCE	2-1 10kHz, 100mVAC, Ls	36.5uH ±10%
LEAKAGE INDUCTANCE	2-1 tie(5+6, 7+8, 10+11, 13+14), 100kHz, 10mVAC, Ls	300nH max.
DIELECTRIC	1-14 tie(6+7+10+13), 4500VAC, 1 second	3600VAC, 5 seconds
DIELECTRIC	6-7 tie(7+10+13), 2250VAC, 1 second	1800VAC, 5 seconds
DIELECTRIC	8-10 tie(10+13), 2250VAC, 1 second	1800VAC, 5 seconds
DIELECTRIC	11-13 2250VAC, 1 second	1800VAC, 5 seconds
TURNS RATIO	(6-5):(2-1)	2.33:1, ±1%
TURNS RATIO	(6-5):(7-8)	1:1, ±1%
TURNS RATIO	(6-5):(10-11)	1:1, ±1%
TURNS RATIO	(6-5):(13-14)	1:1, ±1%

GENERAL SPECIFICATIONS:

OPERATING TEMPERATURE RANGE: -40°C to +125°C including temp rise.

Designed to comply with the following requirements as defined by IEC61800-5-1:

- Basic insulation for a primary circuit at a working voltage of 400Vrms, pollution degree 2.

Wire insulation & RoHS status not affected by wire color.
Wire insulation color may vary depending on availability.

REV.	DATE	Packaging Specifications Method: Tray PKG-0239 www.we-online.com/midcom		Tolerances unless otherwise specified: Angles: ±1° Fractions: ±1/64 Decimals: ±.005 [.13] Footprint: ±.001 [.03]	DRAWING TITLE TRANSFORMER	PART NO. 750315038
6B	7/20	SEE REVISION SHEET FOR REVISION LEVEL		This drawing is dual dimensioned. Dimensions in brackets are in millimeters.	eiSos p/n: 750315038	
6A	1/15					SPECIFICATION SHEET 1 OF 1