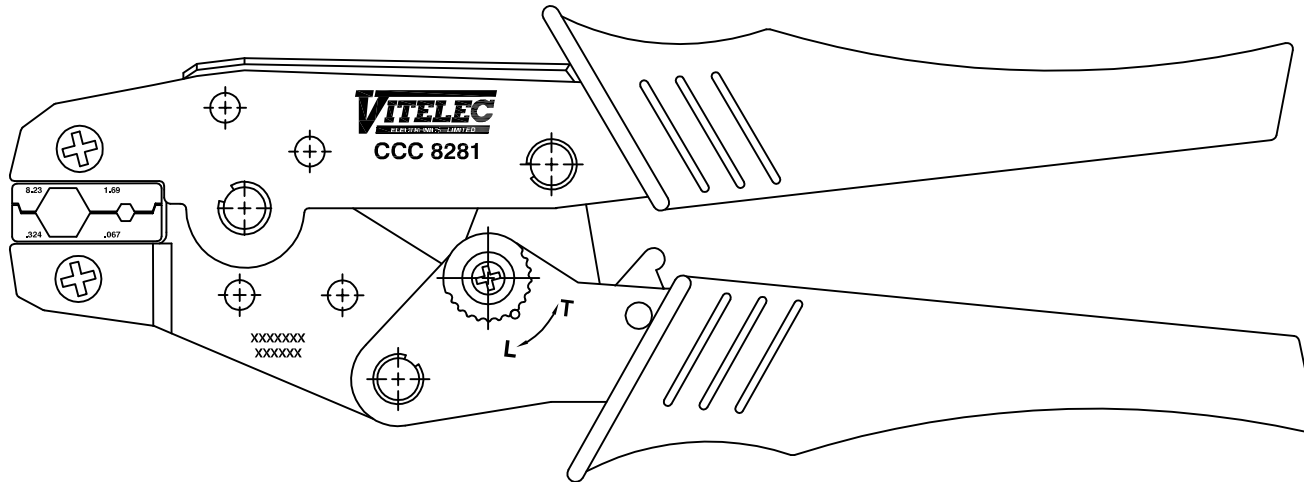
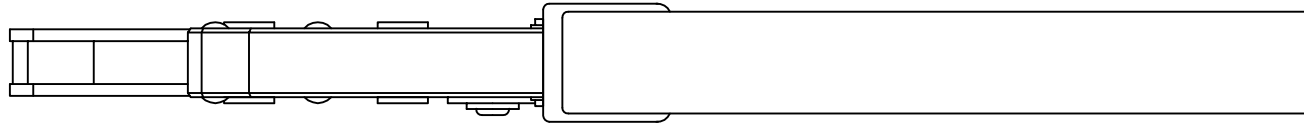


HEX SIZE	
1	8.23±0.05
2	1.69±0.03



For compatibility see: Compatibility Reference Chart

First Issue	JT	1	06 Aug 10
DESCRIPTION OF REVISION	APPVD	ISS	DATE



Cinch Connectivity Solutions
7-13 Russell Way,
Widford Industrial Estate,
Chelmsford, Essex,
CM1 3AA, UK.
Tel: +44 (0) 1245 359515
Fax: +44 (0) 1245 358938

SCALE: Not To Scale

DIMENSIONS: mm

TOLERANCES:
± 0.2mm unless
otherwise stated

DRAWN BY:

Johnson

CHECKED BY:

M Spooner

APPROVED BY:

M Spooner

DATE:

06 Aug 10

TITLE:

Crimp Tool

PART NUMBER:

CCC8281

PAGE: 1 of 1