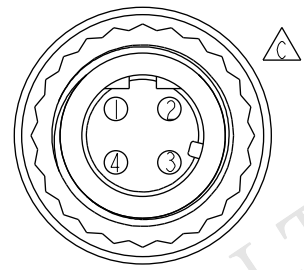
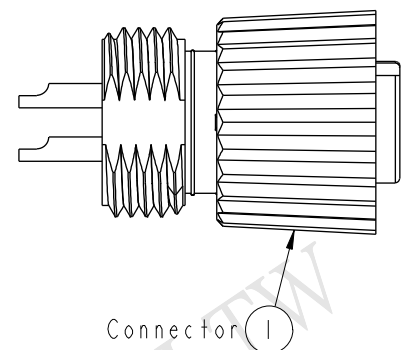
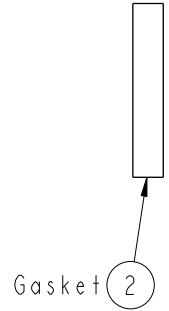
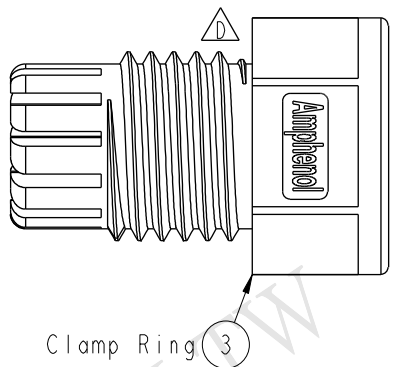
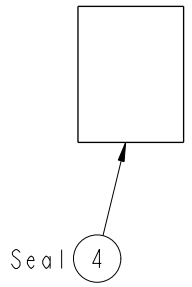
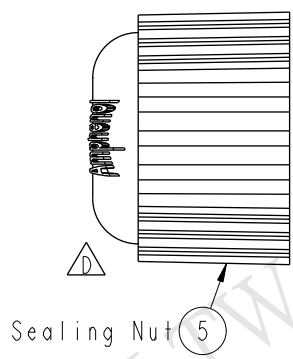


THIS DOCUMENT IS SUBJECT TO CHANGE WITHOUT NOTICE. IT IS CONFIDENTIAL AND A PROPERTY OF Amphenol LTW. DISCLOSURE TO THIRD PARTY HAS TO BE AUTHORIZED BY Amphenol LTW.

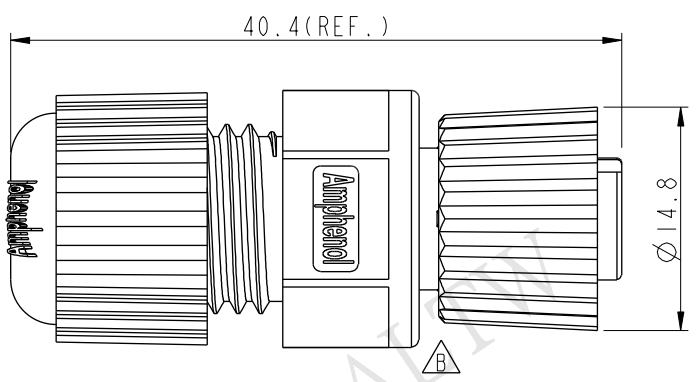
REV.	ECN NO.	DATE	SIGN	DESCRIPTION
B	LEN-6B0132	2006/11/13	Jerry	Remove the section
C	LEN1340081	2013/04/18	Yulong	Update The Drawing
D	LEN14C0434	2014/12/16	Vicky	Update Logo

**ALTW**  
 CONFIDENTIAL  
 2014-12-16  
 R&D DEPT.

**ALTW**  
 DCC. DEPT.  
 CONFIDENTIAL  
 2014.12.23  
 ISSUED



Pin Assignments  
Front View



Note:

- \* Waterproof Rate: IP68  
IP68: 1M Depth Of Water In 24hours
- \* Housing: Nylon+GF, Black
- \* Female Pin: Copper Alloy, Gold Plated
- \* Screw Nut: Nylon+GF, Black
- \* O-Ring: Viton, Green
- \* Gasket: EPDM, Black
- \* Clamp Ring: Nylon, Black
- \* Seal: EPDM, Black
- \* Sealing Nut: Nylon, Black
- \* Seal For Cable OD:  $\varnothing 4.5\text{mm} - \varnothing 6.5\text{mm}$

UNIT:mm		
TOLERANCE	.X $\pm 0.25$	.XX $\pm 0.1$
	.XXX $\pm 0.05$	ANGLES $\pm 1^\circ$

TITLE M12 D Code Assy Screw 4Pin F Conn F Pin			
SCALE 2:1	SIZE A4	SHEET 1 OF 1	
REV. D	WC-REV. A.3	QC: Inspection item	

**Amphenol LTW**  
 安費諾亮泰企業股份有限公司

ITEM NO SDP-04BFFA-SL8001	DRAWN BY Vicky	DATE 2014-12-16
DWG NO SDP-04BFFA-SL8001	CHECKED BY Sam	DATE 2014-12-16
CUSTOMER ALTW	APPROVED BY Rita	DATE 2014-12-16