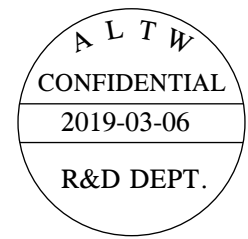
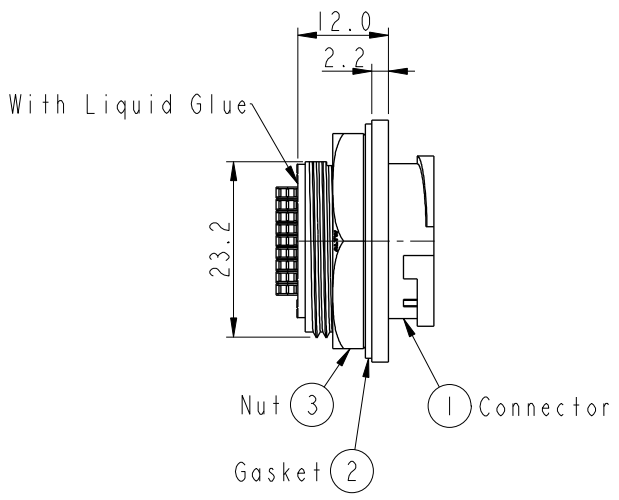
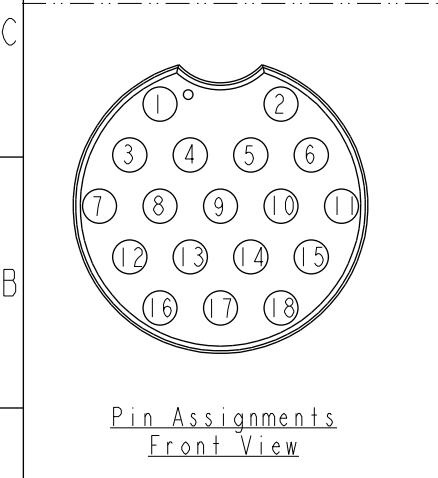
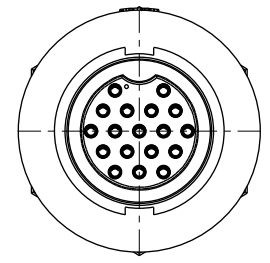
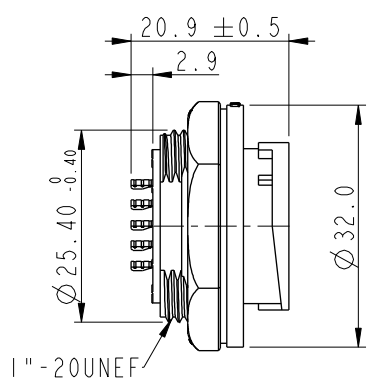
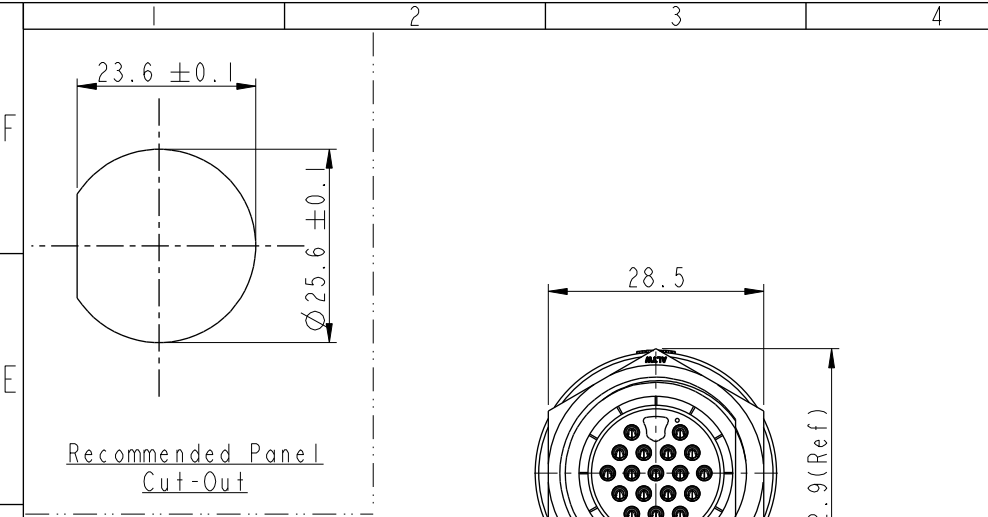


THIS DOCUMENT IS SUBJECT TO CHANGE WITHOUT NOTICE. IT IS CONFIDENTIAL AND A PROPERTY OF Amphenol LTW. DISCLOSURE TO THIRD PARTY HAS TO BE AUTHORIZED BY Amphenol LTW.

REV.	ECN NO.	DATE	SIGN	DESCRIPTION
B	C190347	2019/03/06	Vicky	Change Note



- Note:**
- * CC Important Dimension To Check.
 - * Waterproof Rate: IP67, Unmated.
 - * Housing: Thermoplastic, Black.
 - * Pin: Copper Alloy, Gold Plated.
 - * Nut: Thermoplastic, Black.
 - * Gasket: Rubber, Gray.
 - * Maximum Panel Thickness: 3.0mm
 - * Gasket and Nut are packed separately in PE bags. (Gasket/Nut不組裝·散裝出貨)

UNIT:mm		TITLE	LARGE PANEL LOCK 18P M CONN F PIN		
TOLERANCE	.X ±0.25 .XX ±0.1 .XXX ±0.05 ANGLES ±1°	SCALE	1:1	SIZE	A4
REV.	B	WC-REV.	A.1	SHEET	1 OF 1
		CC : Inspection item			

Amphenol LTW
安費諾亮泰企業股份有限公司

ITEM NO	ADD-18RMFS-LC7001	DRAWN BY	Vicky	DATE	2019-03-06
DWG NO	ADD-18RMFS-LC7001	CHECKED BY	Rita	DATE	2019-03-06
CUSTOMER	ALTW	APPROVED BY	Max	DATE	2019-03-06