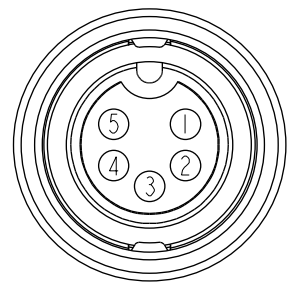
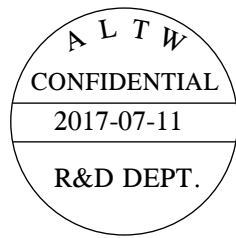
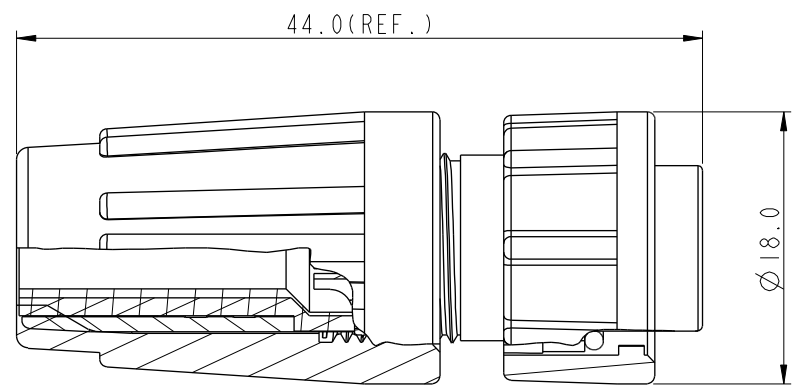
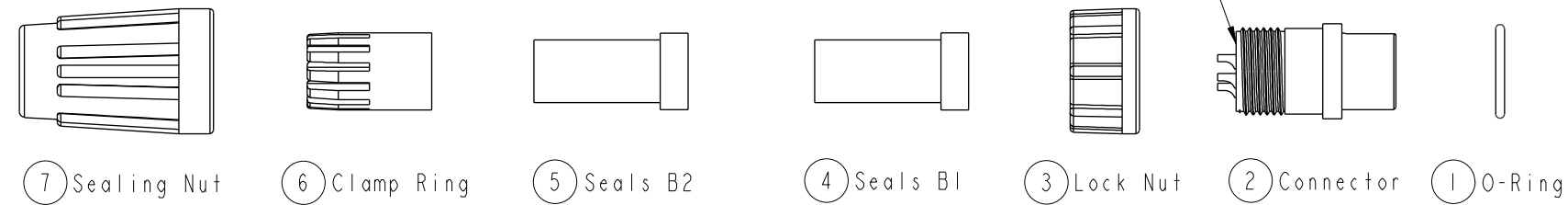


THIS DOCUMENT IS SUBJECT TO CHANGE WITHOUT NOTICE. IT IS CONFIDENTIAL AND A PROPERTY OF AMPHENOL LTW. DISCLOSURE TO THIRD PARTY HAS TO BE AUTHORIZED BY AMPHENOL LTW.

REV.	ECN NO.	DATE	SIGN	DESCRIPTION
B	LEN1770149	2017/07/11	Vicky	Update Note



Pin Assignments  
Front View 前視圖

Note:

- \*  $\varnothing$  Important Dimension
- \* Waterproof Rate: IP66
- \* Ring: EPDM, Black
- \* Housing: Nylon+GF, Black
- \* Male Pin: Copper Alloy, Gold Plated
- \* Lock Nut: Nylon+GF, Black
- \* Seals: EPDM, Black
- \*  $\triangle B$  Clamping Ring: Nylon+GF, Black
- \*  $\triangle B$  Sealing Nut: Nylon+GF, Black
- \* PE Bag: 90mm\*85mm
- \* Liquid Glue: Clear
- \* Seals B1 for Cable OD:  $\varnothing 4.5\text{mm} \sim \varnothing 6.5\text{mm}$   
(防水墊圈1線徑:  $\varnothing 4.5\text{mm} \sim \varnothing 6.5\text{mm}$ )
- \* Seals B2 for Cable OD:  $\varnothing 3.5\text{mm} \sim \varnothing 5.3\text{mm}$   
(防水墊圈2線徑:  $\varnothing 3.5\text{mm} \sim \varnothing 5.3\text{mm}$ )
- \* One Set Unassembled in One PE Bag  
(每一組未組裝, 放置於一個PE袋, 並封口)

UNIT: mm		TITLE Standard, Assy Lock 5Pin F Conn M Pin
TOLERANCE .X ±0.25 .XX ±0.1 .XXX ±0.05 ANGLES ±1°		SCALE 1:1    SIZE A4    SHEET 1 OF 1
REV. B	WC-REV. A.2	$\varnothing$ : Inspection item

**Amphenol LTW**  
安費諾亮泰企業股份有限公司

ITEM NO. BD-05BFMA-LL6001	DRAWN BY Vicky	DATE 2017-07-11
DWG NO. BD-05BFMA-LL6001	CHECKED BY Rita	DATE 2017-07-11
CUSTOMER ALTW	APPROVED BY Max	DATE 2017-07-11