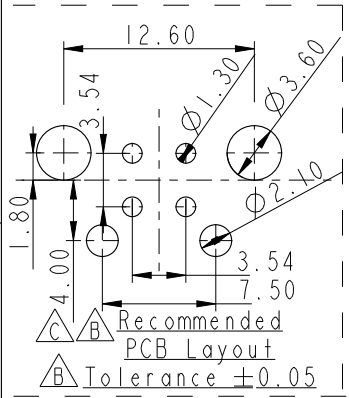
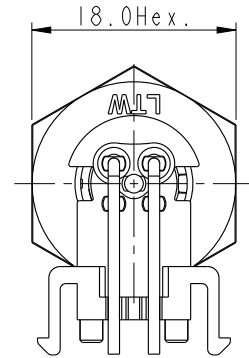
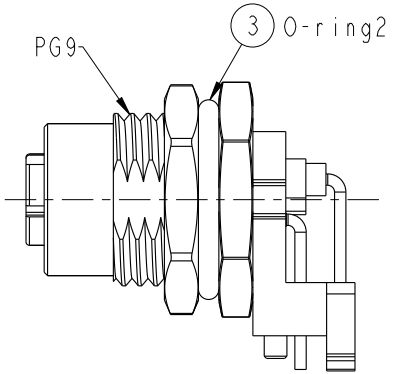
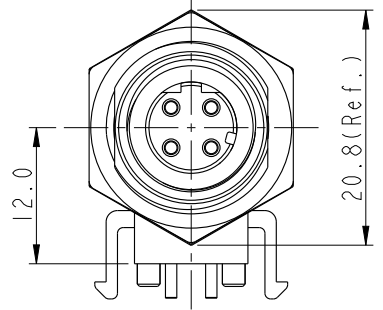
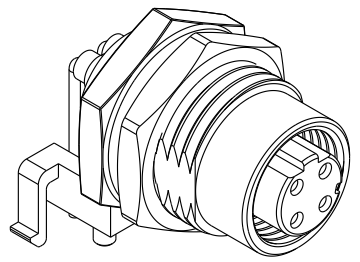
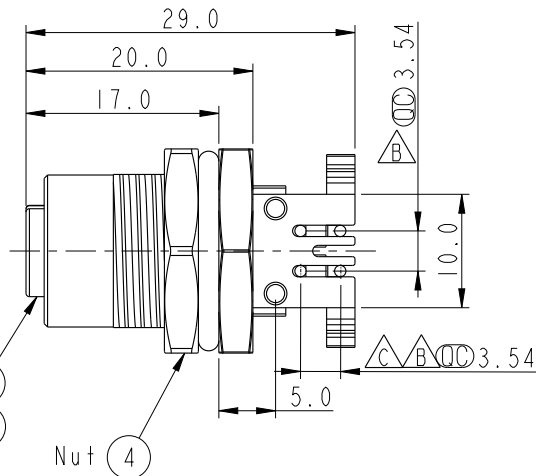


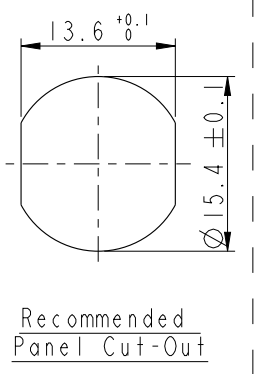
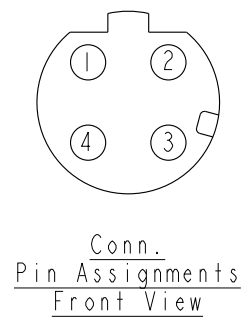
REV.	ECN NO.	DATE	SIGN	DESCRIPTION
B	C180467	2018/11/22	Gill Lai	Change layout dimension
C	C191427	2019/08/13	Gill Lai	Change layout dimension



ALTW
CONFIDENTIAL
2019-08-13
R&D DEPT.



- Note:
- * (M) Important Dimension To Check.
 - * Waterproof Rate: IP68
IP68: 1M Depth Of Water In 24hours
 - * Connector: Nylon+GF, Black
 - * Female Pin: Copper Alloy, Gold Plated
 - * Shell: Zinc Alloy, Nickel Plated.
 - * Nut: Zinc Alloy, Nickel Plated.
 - * O-ring1: Silicon, Gray
 - * O-ring2: Silicon, Black
 - * Boardlock: PBT+PC, Black
 - * For Panel Thickness Max. 4.5mm
 - * For PCB Thickness Max. 1.6mm



UNIT: mm		
TOLERANCE	.X ±0.25	
	.XX ±0.1	
	.XXX ±0.05	
ANGLES	±1°	

TITLE M12 DCODE 90° PANEL 4PIN FCONN FPIN			
SCALE 3:2	SIZE A4	SHEET 1 OF 1	
REV. C	WC-REV. .0	QC: Inspection item	

Amphenol LTW
安費諾亮泰企業股份有限公司

ITEM NO. M12D-04PFFR-SF8001	DRAWN BY Gill Lai	DATE 2019/08/13
DWG NO. M12D-04PFFR-SF8001	CHECKED BY Sam Ho	DATE 2019/08/13
CUSTOMER ALTW	APPROVED BY Fred Lee	DATE 2019/08/13

THIS DOCUMENT IS SUBJECT TO CHANGE WITHOUT NOTICE. IT IS CONFIDENTIAL AND A PROPERTY OF Amphenol LTW. DISCLOSURE TO THIRD PARTY HAS TO BE AUTHORIZED BY Amphenol LTW.