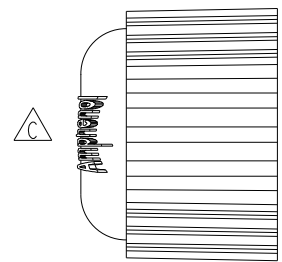


THIS DOCUMENT IS SUBJECT TO CHANGE WITHOUT NOTICE. IT IS CONFIDENTIAL AND A PROPERTY OF Amphenol LTW. DISCLOSURE TO THIRD PARTY HAS TO BE AUTHORIZED BY Amphenol LTW.

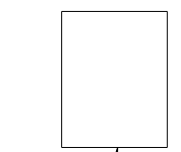
REV.	ECN NO.	DATE	SIGN	DESCRIPTION
B	LEN-0C0249	2010/11/25	Ivan Lin	Change View & Frame
C	LEN1410029	2014/1/3	Lu Di	Update Logo



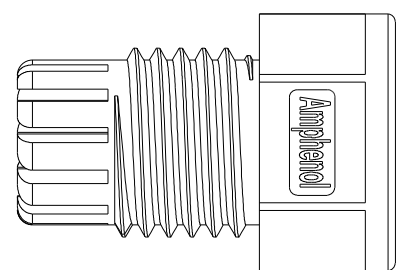
△ B



Sealing Nut (5)



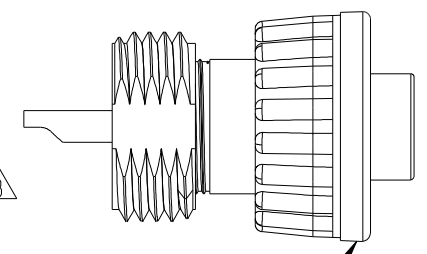
Seal (4)



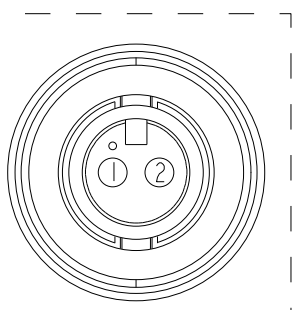
Clamp Ring (3)



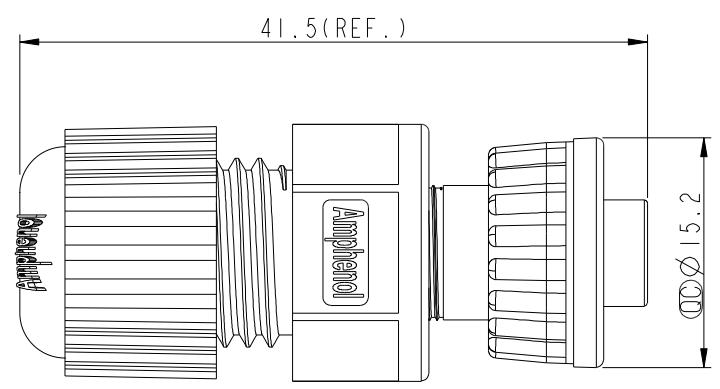
Gasket (2)



Connector (1)



Pin Assignments Front View



Note:

- * (CC) Important Dimension To Check.
- * Waterproof Rate: IP67
- * Housing: Nylon+GF, Black
- * Female Pin: Copper Alloy, Gold Plated
- * Lock Nut: Nylon+GF, Black
- * O-Ring: EPDM, Black
- * Gasket: EPDM, Black
- * Seal: EPDM, Black
- * Clamp Ring: Nylon, Black
- * Sealing Nut: Nylon, Black
- * Seal For Cable OD: $\varnothing 4.5\text{mm} \sim \varnothing 6.5\text{mm}$
- * One Set Unassembled In One PE Bag

UNIT: mm		
TOLERANCE		
.X	± 0.25	
.XX	± 0.1	
.XXX	± 0.05	
ANGLES	$\pm 1^\circ$	

TITLE Mini Assy Lock 2Pin F Conn. F Pin			
SCALE 2:1	SIZE A4	SHEET 1 OF 1	
REV. C	WC-REV. B.2	CC: Inspection item	

Amphenol LTW
安費諾亮泰企業股份有限公司

ITEM NO. AD-02BFFA-LL7001	DWG NO. AD-02BFFA-LL7001	CUSTOMER ALTW
------------------------------	-----------------------------	------------------

DRAWN BY Di_lu	CHECKED BY Mafei	APPROVED BY Victor
-------------------	---------------------	-----------------------

DATE 2014-01-03	DATE 2014-01-03	DATE 2014-01-03
--------------------	--------------------	--------------------