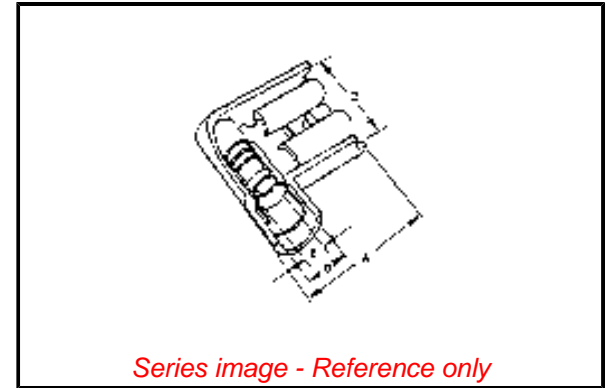


PLEASE CHECK WWW.MOLEX.COM FOR LATEST PART INFORMATION

Part Number: **0190070079**
Status: **Active**
Overview: Standard Quick-Disconnect Terminals
Description: InsulKrimp Female Fully Insulated Quick Disconnect Flag for 14-16 AWG Wire, Tab 4.75 x 0.81mm, 94 V-0 Material

Documents:

3D Model	Product Specification PS-19902-011-001 (PDF)
3D Model (PDF)	Product Specification PS-19902-013-001 (PDF)
Drawing (PDF)	RoHS Certificate of Compliance (PDF)
Product Specification PS-19902-008-001 (PDF)	



Series image - Reference only

Agency Certification

UL E79133

General

Product Family	Quick Disconnects
Series	19007
Crimp Quality Equipment	Yes
Insulated	Fully
Overview	Standard Quick-Disconnect Terminals
Product Name	InsulKrimp
Type	Quick Disconnect
UPC	800756386737

Physical

Barrel Type	Closed
Color - Resin	Blue
Flammability	94V-0
Gender	Female
Glow-Wire Capable	Yes
Insulation	Nylon (PA)
Lock to Mating Part	None
Material - Metal	Brass
Material - Plating Mating	Tin
Material - Plating Termination	Tin
Material - Resin	Nylon
Net Weight	1.404/g
Orientation	Flag
Packaging Type	Bag
Polarized to Mating Part	No
Tab Thickness	0.81mm
Tab Width	4.75mm
Temperature Range - Operating	-65° to +105°C
Wire Insulation Diameter	5.08mm
Wire Size AWG	14, 16

Electrical

Voltage - Maximum 600V

Material Info

Engineering Number BB-2225V

Reference - Drawing Numbers

Product Specification	PS-19902-008-001, PS-19902-011-001, PS-19902-013-001
Sales Drawing	SD-19007-001-001

EU ELV

Not Relevant

EU RoHS

Compliant

REACH SVHC

Contained Per -
D(2021)4569-DC (8 July 2021)
1,2-Benzenedicarboxylic acid, bis(3-methylbutyl) 1,2-diethoxyethane Dibutyltin-dichloride 1,3-Propanesultone C.I. Direct Black 38 Disodium-octaborate 2-ethylhexyl 10-ethyl-4,4-dioctyl-7-oxo-8-oxa-3,2-(2H-Benzotriazol-2-yl)-4,6-ditertpentylphenol 2-(2H-Benzotriazol-2-yl)-4-(tert-butyl)-6-(sec-b Terphenyl, hydrogenated 1,2-Benzenedicarboxylic acid, dihexyl ester, bra diisohexyl phthalate 1,2-Benzenedicarboxylic acid, dipentyl ester, br n-pentyl-isopentylphthalate Boric acid Aluminosilicate Refractory Ceramic Fibres Zirconia Aluminosilicate

China RoHS

Refractory Ceramic
Fibr

Tris(4-nonylphenyl,
branched and linear)
phosphi

Pyrene

Diocetyl tin dilaurate,
stannane, dioctyl-,
bis(co

Perfluorononan-1-
oic acid

(2,2,3,3,4,4,5,5,6,6,7
reaction mass of

2-ethylhexyl 10-

ethyl-4,4-dioct

Perfluorohexane-1-
sulphonic acid and its
salts

Strontium-chromate
1,2-

Benzenedicarboxylic
acid, di-C7-11-
branched

Diboron-trioxide

Cadmium-oxide

Cadmium-sulphide

Lead(II,IV)-oxide

Pentalead-tetraoxide-
sulphate

Trilead-dioxide-
phosphonate

Cyanamide, lead(2+)
salt (1:1)

Cadmium Hydroxide

Sulfurous Acid, Lead
Salt, Dibasic

4-aminoazobenzene

Dicyclohexyl-
phthalate

Dihexyl-phthalate

Phenanthrene

Imidazolidine-2-thione

Dipentyl phthalate

Benzo(ghi)perylene

Octanoic acid,

2,2,3,3,4,4,5,5,6,6,7,7,8,8,8-
pen

Dodecamethylcyclohexasiloxane

Decamethylcyclopentasiloxane

Octamethylcyclotetrasiloxane

Disodium 3,3'-[[1,1'-
Biphenyl]-4,4'-

Diylbis(Azo)

Halogen-Free

Status

Not Low-Halogen

For more information, please visit [Contact US](#)

China ROHS

Green Image

ELV

Not Relevant

RoHS Phthalates

Not Contained

Search Parts in this Series

[19007 Series](#)

Application Tooling | [FAQ](#)

Tooling specifications and manuals are found by selecting the products below. Crimp Height Specifications are then contained in the Application Tooling Specification document.

Global

Description	Product #
PremiumGrade Hand Crimp Tool for Flag Insulkrimp Quick Disconnect Terminals, 14-22AWG	640014100
Crimp Head for the AT-200 Pneumatic Hand Tool	640054100

This document was generated on 12/28/2021

PLEASE CHECK WWW.MOLEX.COM FOR LATEST PART INFORMATION