

THE INFORMATION CONTAINED HEREIN IS CONSIDERED "PROPRIETARY" TO BEL FUSE INC. AND SHALL NOT BE COPIED, REPRODUCED OR DISCLOSED WITHOUT THE WRITTEN APPROVAL OF BEL FUSE INC.

LED1 POLARITY			LED2 POLARITY		
PIN 11	PIN 12	COLOR	PIN 13	PIN 14	COLOR
+	-	YELLOW	+	-	GREEN
-	+	GREEN			

RoHS
2002/95/EC



ELECTRICAL CHARACTERISTICS @ 25°C

URNS RATIO

TP1	1CT : 1CT ±3%
TP2	1CT : 1CT ±3%
TP3	1CT : 1CT ±3%
TP4	1CT : 1CT ±3%

OCL @ 100kHz/100mVRMS

8mA DC BIAS	350 μH MIN.
-------------	-------------

INS. LOSS

1MHz TO 100MHz	-1.1 dB MAX
----------------	-------------

RET. LOSS (MIN)

1MHz-40MHz	-18 dB
40MHz-100MHz	-12+20LOG(F/80MHz) dB

CM TO CM REJ

1MHz - 100MHz	-20 dB MIN
---------------	------------

CROSSTALK (TX - RX)

1MHz - 30MHz	-40 dB MIN
30MHz - 60MHz	-30 dB MIN

HIPOT (Isolation Voltage): 1500 Vrms

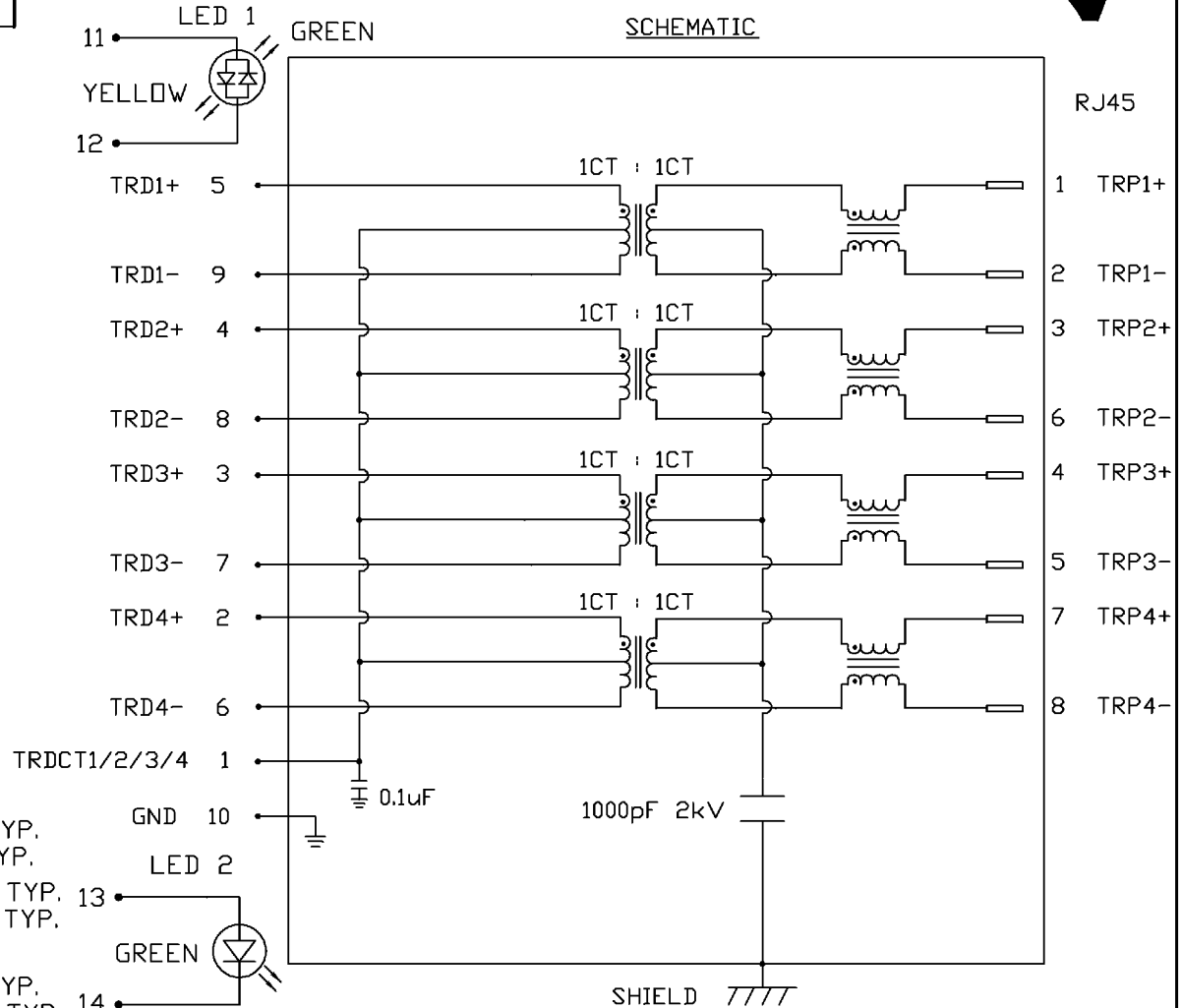
100% OF PRODUCTION TESTED TO COMPLY WITH IEEE 802.3 ISOLATION REQUIREMENTS

LED 1

V _F (FORWARD VOLTAGE)	IF=20mA	GREEN	2.2V TYP.
		YELLOW	2.1V TYP.
λ _D (DOMINANT WAVELENGTH)	IF=20mA	GREEN	565nm TYP.
		YELLOW	590nm TYP.

LED 2

V _F (FORWARD VOLTAGE)	IF=20mA	GREEN	2.2V TYP.
λ _D (DOMINANT WAVELENGTH)	IF=20mA	GREEN	565nm TYP.



ORIGINATED BY	DATE
CHOW WANCHUNG	06-04-08

TITLE
gigabit MagJack®

PART NO. / DRAWING NO.
V890-1RX1-A1

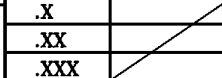
STANDARD DIM.	[] METRIC DIM. AS REFERENCE
TOL. IN INCH	UNIT : INCH [mm]

REV. : B
SCALE : N/A
SIZE : A4
PAGE : 2

DRAWN BY	DATE
DENG PING	06-04-08

FILE NAME
V890-1RX1-A1_B.DWG

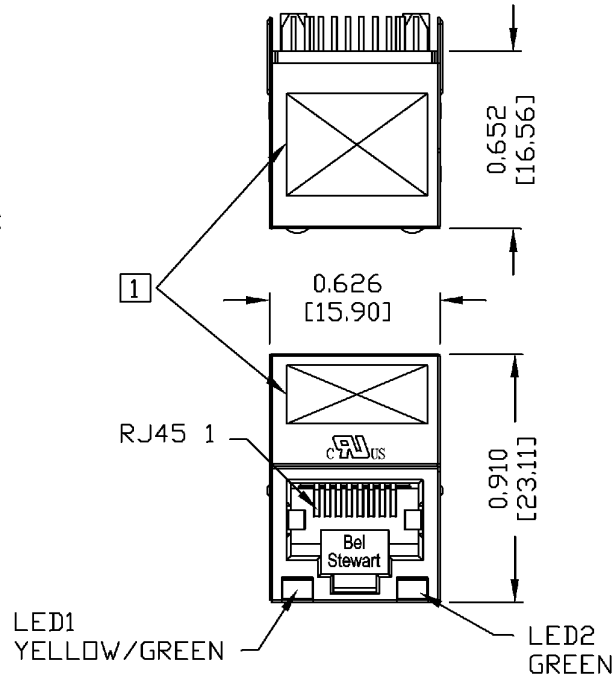
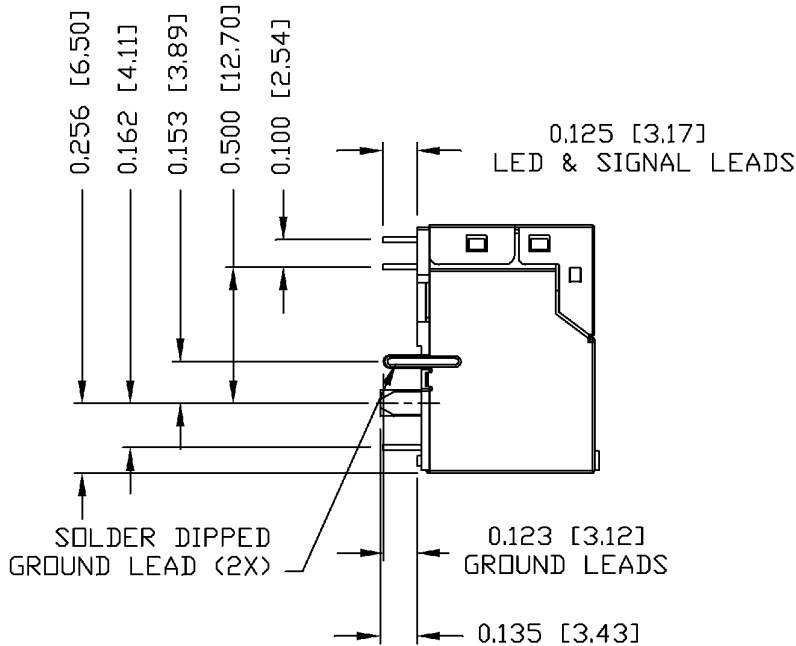
.X	
.XX	
.XXX	



THE INFORMATION CONTAINED HEREIN IS CONSIDERED 'PROPRIETARY' TO BEL FUSE INC. AND SHALL NOT BE COPIED, REPRODUCED OR DISCLOSED WITHOUT THE WRITTEN APPROVAL OF BEL FUSE INC.

MECHANICAL SPECIFICATION

RoHS
2002/95/EC



NOTES:

PLASTIC HOUSING: THERMOPLASTIC PBT.
FLAMMABILITY RATING UL 94V-0
CONTACTS: 30 MICRO-INCH HARD GOLD PLATING
OUTPUT PINS: TIN-COATED COPPER WIRE, DIA 0.018 INCH.
METAL SHIELD: NICKEL PLATED ON COPPER ALLOY.
(ALL GROUND LEADS ARE SOLDER DIPPED)

JACK CAVITY CONFORMS TO FCC RULES AND REGULATIONS.

☐ MARK PART WITH MFG LOGO, MFG NAME, PART NUMBER, AND DATE CODE.

RoHS COMPLIANCE, PER EU DIRECTIVE 2002/95/EC.

c US UL RECOGNIZED - FILE #E196366 AND E169987.

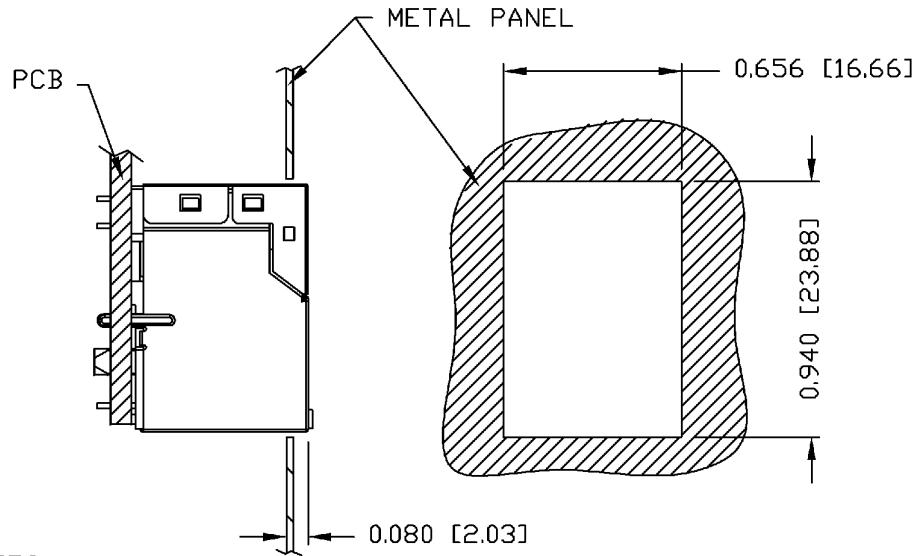
ORIGINATED BY ZX HUANG	DATE 06-04-08	TITLE gigabit MagJack® (8 cores, Vertical)	PART NO. / DRAWING NO. V890-1RX1-A1		STANDARD DIM. TOL. IN INCH		[] METRIC DIM. AS REFERENCE		
			FILE NAME V890-1RX1-A1_B.DWG		.X		UNIT : INCH [mm]	REV. : B	
DRAWN BY CHEN TING	DATE 06-04-08				.XX		SCALE : N/A	SIZE : A4	COMPONENTS FOR A CONNECTED PLANET
					.XXX	±0.010		PAGE : 3	

THE INFORMATION CONTAINED HEREIN IS CONSIDERED 'PROPRIETARY' TO BEL FUSE INC. AND SHALL NOT BE COPIED, REPRODUCED OR DISCLOSED WITHOUT THE WRITTEN APPROVAL OF BEL FUSE INC.

RoHS
2002/95/EC

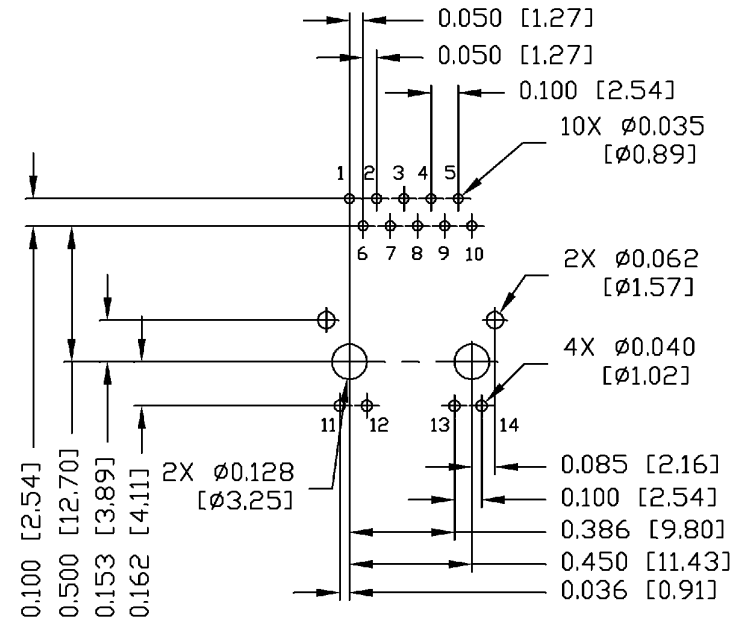


SUGGESTED PANEL OPENING



RECOMMENDED PCB FOOTPRINT

COMPONENT SIDE VIEW



NOTES:

THE DISTANCE OF PANEL INSIDE SURFACE RELATIVE TO FRONT SURFACE OF PART IS ONLY A SUGGESTION. IN CASE THIS DISTANCE IS DIFFERENT, THE REQUIRED PANEL OPENING DIMENSIONS CHANGE ACCORDINGLY.

PACKING INFORMATION

PACKING TRAY : 0200-9999-13(TOP)

0200-9999-14(BOTTOM)

PACKING QUANTITY : 55 PCS FINISHED GOODS PER TRAY
9 TRAYS (495 PCS FINISHED GOODS)
PER CARTON BOX

NOTER: CARDBOARDS ARE PLACED BETWEEN LAYERS
OF PACKING TRAY INSIDE CARTON BOX
(INCLUDE THE UPPERMOST AND LOWERMOST TRAY)

ORIGINATED BY	DATE	TITLE	PART NO. / DRAWING NO.	STANDARD DIM.		[] METRIC DIM. AS REFERENCE	
				TOL. IN INCH		UNIT : INCH [mm]	REV. : B
ZX HUANG	06-04-08	gigabit MagJack® (8 cores, Vertical)	V890-1RX1-A1	.X		SCALE : N/A	SIZE : A4
DRAWN BY	DATE		FILE NAME	.XX		PAGE : 4	
CHEN TING	06-04-08		V890-1RX1-A1_B.DWG	.XXX	±0.004		

