

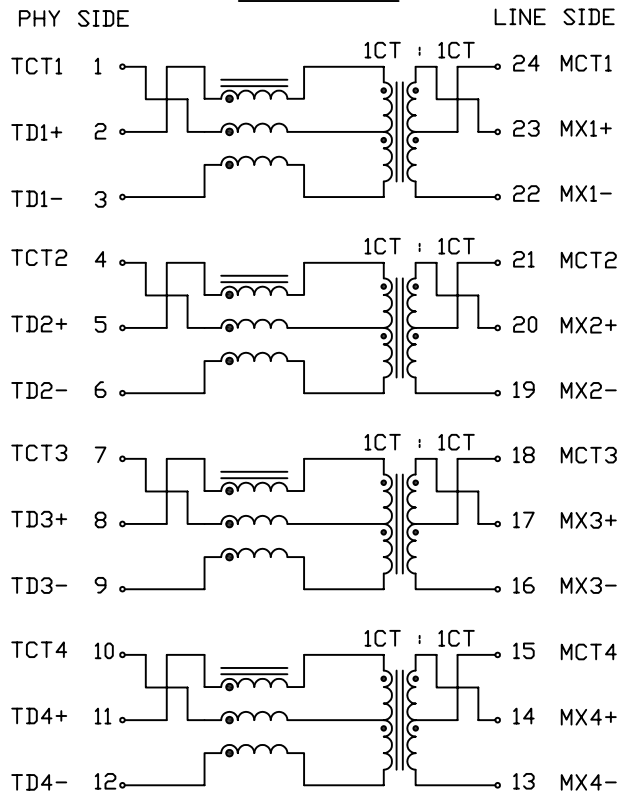
THE INFORMATION CONTAINED HEREIN IS CONSIDERED "PROPRIETARY" TO BEL FUSE INC. AND SHALL NOT BE COPIED, REPRODUCED OR DISCLOSED WITHOUT THE WRITTEN APPROVAL OF BEL FUSE INC.

RoHS



ELECTRICAL CHARACTERISTICS @25°C

SCHEMATIC



DC RESISTANCE

(2-3), (5-6), (8-9), (11-12)	1.00 Ω MAX
(1-3), (4-6), (7-9), (10-12)	0.75 Ω MAX
(23-22), (20-19), (17-16), (14-13)	0.50 Ω MAX
(24-22), (21-19), (18-16), (15-13)	0.30 Ω MAX

TURNS RATIO

(2-1-3) : (23-24-22)	1CT : 1CT ±2%
(5-4-6) : (20-21-19)	1CT : 1CT ±2%
(8-7-9) : (17-18-16)	1CT : 1CT ±2%
(11-10-12) : (14-15-13)	1CT : 1CT ±2%

POLARITY

PER DOT CONVENTION

QCL

-40°C TO +85°C  
 -40°C TO +85°C

100kHz, 100mV  
 350uH MIN WITH 11mA DC BIAS  
 120uH MIN WITH 19mA DC BIAS

INTERWINDING CAPACITANCE, C<sub>ww</sub>

@1MHz, 20mV  
 30pF MAX

INSERTION LOSS

0.3MHz - 1MHz  
 1MHz - 65MHz  
 65MHz - 100MHz  
 100MHz - 125MHz

1.1dB MAX  
 0.8dB MAX  
 1.0dB MAX  
 1.2dB MAX

RETURN LOSS @100ΩHM

0.5MHz - 40MHz  
 40MHz - 100MHz

18dB MIN  
 12-20LOG(f/80MHz)dB MIN

CROSSTALK

0.3MHz - 100MHz

33-20LOG(f/100MHz)dB MIN

CM TO CM REJ

0.3MHz - 100MHz

30dB MIN

CM TO DM REJ

0.3MHz - 100MHz

35dB MIN

BALANCED DC LINE CURRENT

720mA MAX @57VDC CONTINUOUS  
 1.2A MAX @57VDC FOR 200ms

HIPOT

1500 V<sub>rms</sub>

REV. : C PAGE : 2

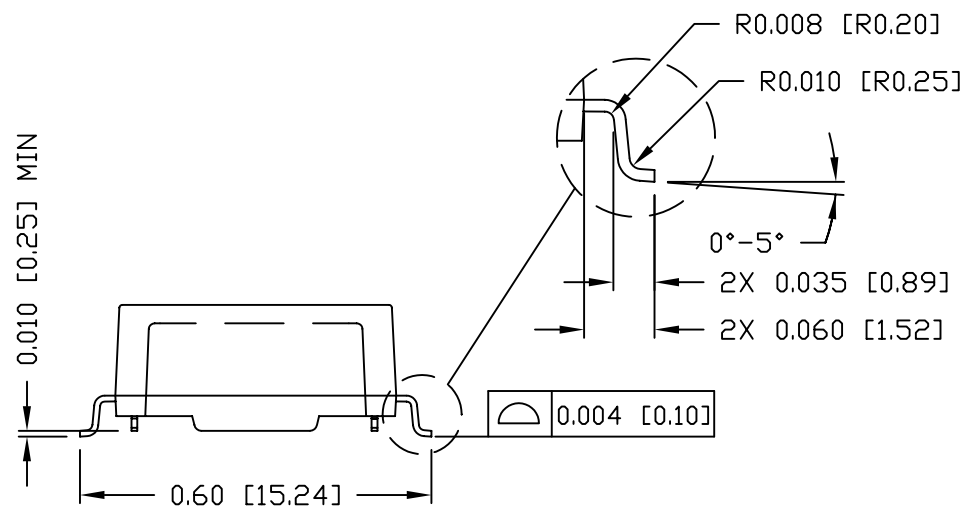
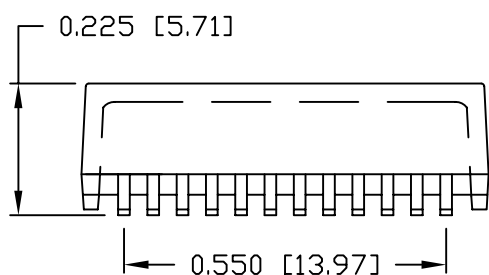
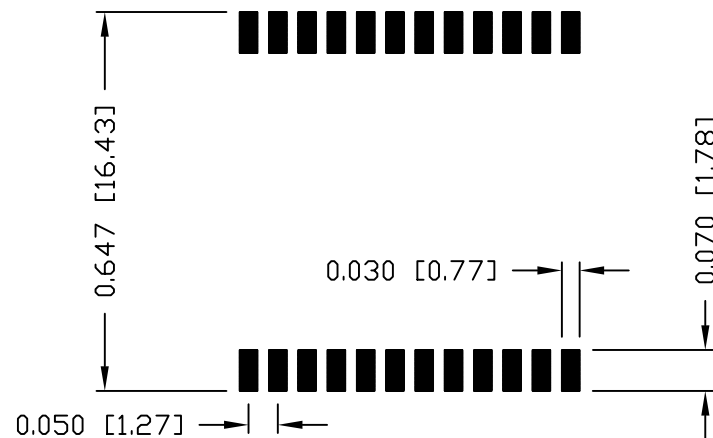
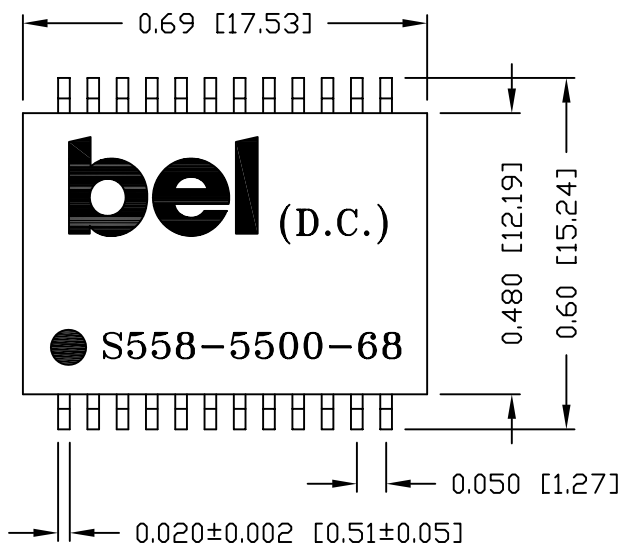
ORIGINATED BY	DATE	TITLE	PART NO. / DRAWING NO.	STANDARD DIM.	[ ] METRIC DIM. AS REF.	<p>POWER   PROTECT   CONNECT</p>
Alice Pang	2015-01-28	ELECTRICAL SPECIFICATION	S558-5500-68	TOL. IN INCH	UNIT : INCH [mm]	
DRAWN BY	DATE		FILE NAME	.X	SCALE : N/A	
ZC Guo	2015-01-28		S558550068C.DWG	.XX	SIZE : A4	
				.XXX		

THE INFORMATION CONTAINED HEREIN IS CONSIDERED "PROPRIETARY" TO BEL FUSE INC. AND SHALL NOT BE COPIED, REPRODUCED OR DISCLOSED WITHOUT THE WRITTEN APPROVAL OF BEL FUSE INC.

RoHS



SUGGESTED PCB PAD LAYOUT



NOTES:

- STANDARD MARKING REFER TO DOC. HAND-WORK-04.
- PACKAGE CODE: "RQS001".

REV. : C PAGE : 3

ORIGINATED BY	DATE	TITLE	PART NO. / DRAWING NO.	STANDARD DIM.	[ ] METRIC DIM. AS REF.
Lawrence Tsang	2015-01-28	MECHANICAL OUTLINE	S558-5500-68	TOL. IN INCH	UNIT : INCH [mm]
DRAWN BY	DATE		FILE NAME	.X	SCALE : N/A
ZC Guo	2015-01-28		S558550068C.DWG	.XX ±0.01	SIZE : A4
				.XXX ±0.005	

