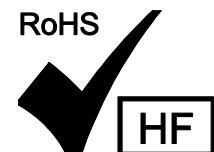


THE INFORMATION CONTAINED HEREIN IS CONSIDERED "PROPRIETARY" TO BEL FUSE INC. AND SHALL NOT BE COPIED, REPRODUCED OR DISCLOSED WITHOUT THE WRITTEN APPROVAL OF BEL FUSE INC.

PRELIMINARY



LED1 POLARITY			LED2 POLARITY		
PIN 13	PIN 14	COLOR	PIN 15	PIN 16	COLOR
-	+	GREEN	-	+	GREEN

ELECTRICAL CHARACTERISTICS @ 25°C

URNS RATIO

TX 1CT : 1
RX 1CT : 1

□CL @ 100kHz/100mVRMS (0-70°C)
8mA DC BIAS 350μH MIN.

INS. LOSS
0.1MHz TO 1MHz -1.1 dB MAX
1MHz TO 65MHz -0.5 dB MAX
65MHz TO 100MHz -0.8 dB MAX
100MHz TO 125MHz -1.2 dB MAX

RET. LOSS (MIN) @ 100 □HMS +/-15%
0.5MHz-40MHz -18 dB
40MHz-100MHz -12+20LOG(f/80MHz) dB

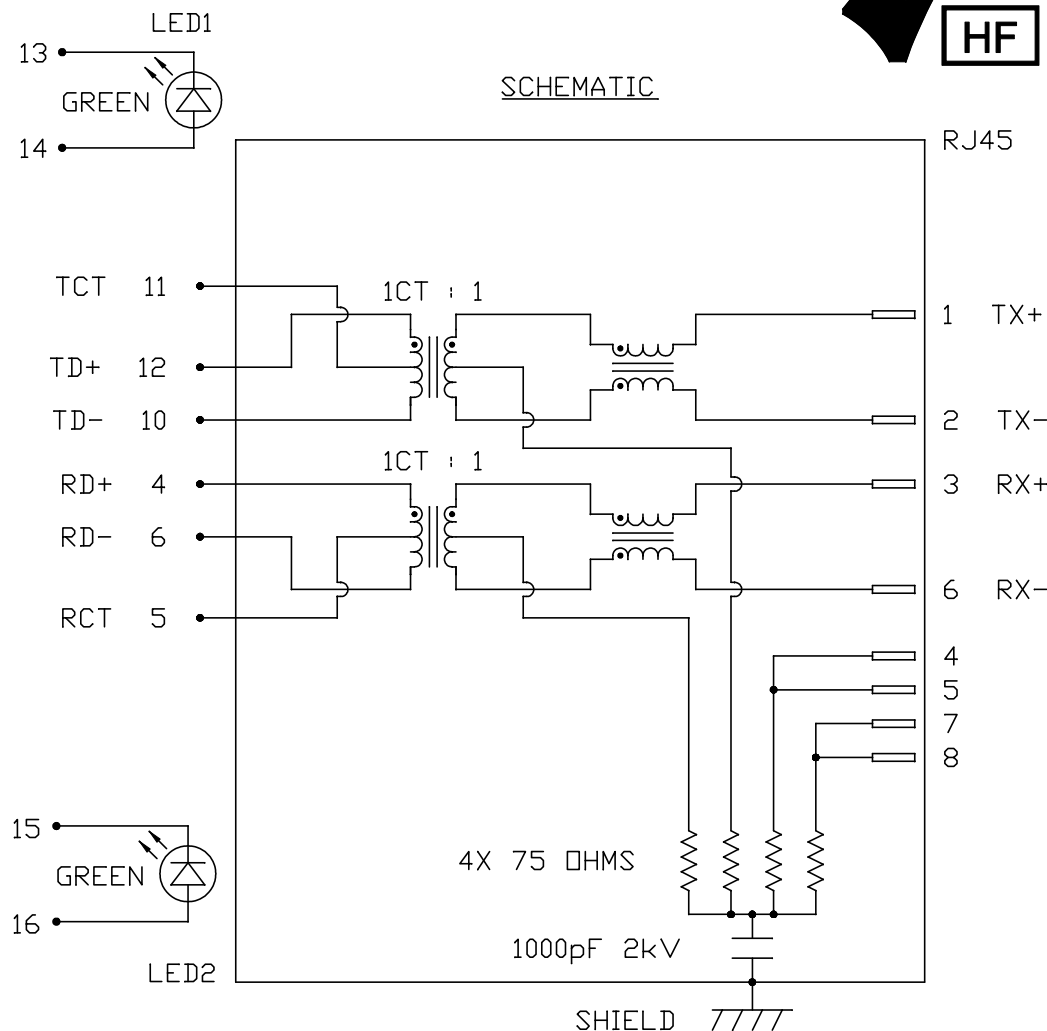
CM TO CM REJ
100kHz - 100MHz -30 dB MIN

CM TO DM REJ
100kHz - 100MHz -35 dB MIN

HIPOT (Isolation Voltage): 1500 Vrms
100% OF PRODUCTION TESTED TO COMPLY WITH IEEE 802.3 ISOLATION REQUIREMENTS.

LED 1 & LED 2
VF (FORWARD VOLTAGE) IF=20mA GREEN 2.2V TYP.
λD (DOMINANT WAVELENGTH) IF=20mA GREEN 570nm TYP.

OPERATING TEMPERATURE: 0°C TO +70°C.



ORIGINATED BY
CHOW WANCHUNG
DATE 2017-06-20
DRAWN BY
XIE YIMING
DATE 2017-06-20

TITLE
10/100 MagJack®
(NanoJack)
L8BE-1G1T-91A
PATENTED

PART NO. / DRAWING NO.
L8BE-1G1T91A
FILE NAME
L8BE-1G1T91A_PA.DWG

STANDARD DIM.
TOL. IN INCH
.X
.XX
.XXX
[] METRIC DIM.
AS REF.
UNIT : INCH [mm]
SCALE : N/A
SIZE : A4

REV. : PA PAGE : 2

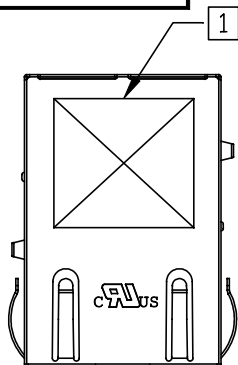


THE INFORMATION CONTAINED HEREIN IS CONSIDERED "PROPRIETARY" TO BEL FUSE INC. AND SHALL NOT BE COPIED, REPRODUCED OR DISCLOSED WITHOUT THE WRITTEN APPROVAL OF BEL FUSE INC.

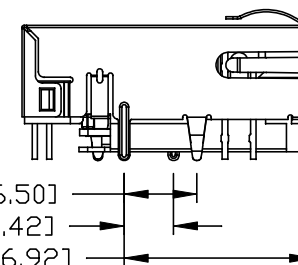
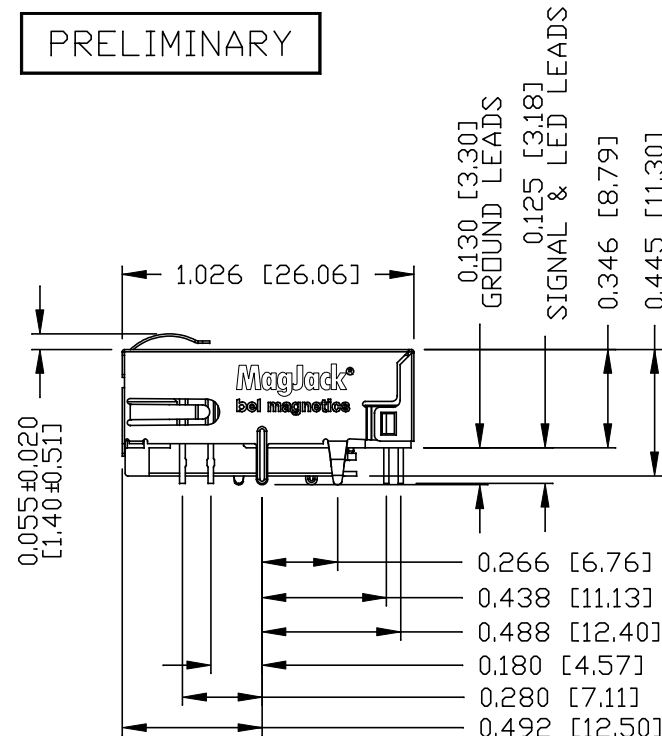
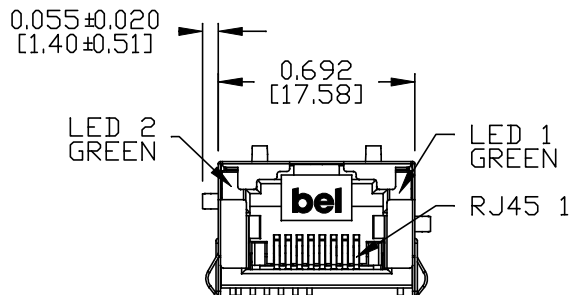
MECHANICAL SPECIFICATION

PRELIMINARY

RoHS



TOP VIEW



LEFT VIEW

NOTES:

- PLASTIC HOUSING: THERMOPLASTIC PA, BLACK
FLAMMABILITY RATING UL 94V-0
- CONTACTS: 30 MICRO-INCH HARD GOLD PLATING OR EQUIVALENT.
- OUTPUT PINS: TIN-COATED COPPER WIRE, DIA 0.018 INCH.
100 MICRO-INCH MIN MATTE TIN. PINS ARE SOLDER DIPPED.
- METAL SHIELD: NICKEL PLATED ON COPPER ALLOY.
(ALL GROUND LEADS ARE SOLDER DIPPED)

- MARK PART WITH MFG LOGO, MFG NAME, PART NUMBER, DATE CODE AND "PATENTED" MARKING.
- THE PRODUCT IS PATENTED. THE PATENT NUMBER IS U.S. PAT. 7,123,117.
- JACK CAVITY CONFORMS TO FCC RULES AND REGULATIONS, PART 68 SUBPART F.
- THE PRODUCT IS RoHS COMPLIANT AND HALOGEN FREE.

UL RECOGNIZED - FILE #E196366 AND E169987.

- THE PART IS COMPLIANT WITH WAVE SOLDERING AND IR REFLOW.
FOR WAVE SOLDERING, THE SUGGESTED PEAK WAVE SOLDERING CONDITION IS 260°C MAX AND 10 SECONDS MAX.
FOR IR REFLOW, THE SUGGESTED PEAK IR REFLOW CONDITION IS 245°C MAX AND 30 SECONDS MAX.

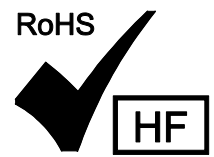
REV. : PA PAGE : 3

ORIGINATED BY ANTON LIAO DATE 2017-06-20	TITLE 10/100 MagJack® (NanoJack) L8BE-1G1T-91A PATENTED	PART NO. / DRAWING NO. L8BE-1G1T91A	STANDARD DIM. TOL. IN INCH	[] METRIC DIM. AS REF.		
		FILE NAME L8BE-1G1T91A_PA.DWG	.X	UNIT : INCH [mm]		
			.XX	SCALE : N/A		
DRAWN BY LIU DONGJUN DATE 2017-06-20			.XXX	±0.010		SIZE : A4

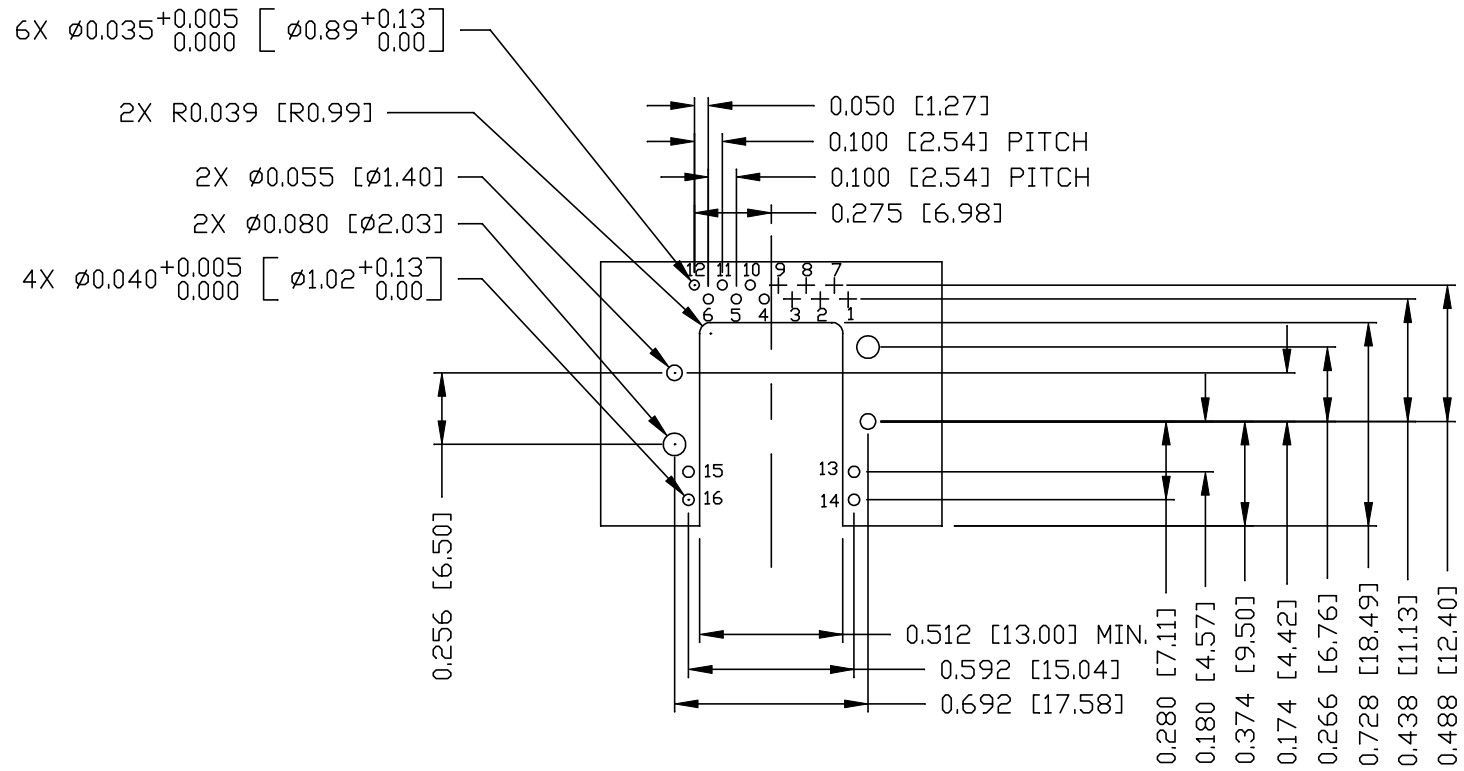


THE INFORMATION CONTAINED HEREIN IS CONSIDERED 'PROPRIETARY' TO BEL FUSE INC. AND SHALL NOT BE COPIED, REPRODUCED OR DISCLOSED WITHOUT THE WRITTEN APPROVAL OF BEL FUSE INC.

PRELIMINARY



RECOMMENDED PCB FOOTPRINT
COMPONENT SIDE VIEW

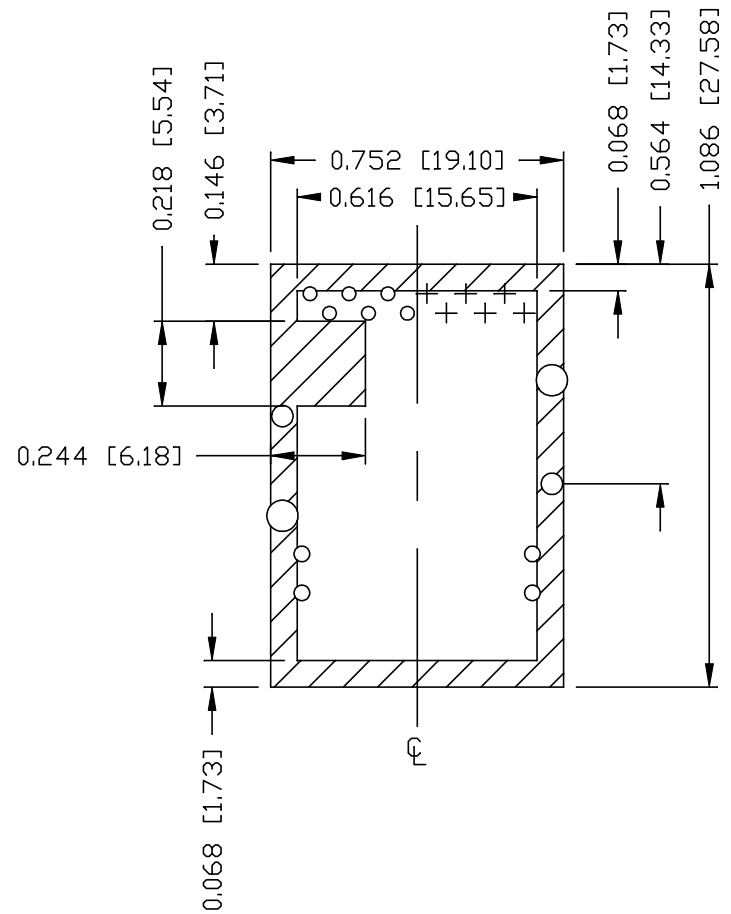
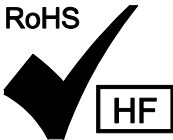


REV. : PA PAGE : 4

ORIGINATED BY ANTON LIAO DATE 2017-06-20	TITLE 10/100 MagJack® (NanoJack) L8BE-1G1T-91A PATENTED	PART NO. / DRAWING NO. L8BE-1G1T91A	STANDARD DIM. TOL. IN INCH	[] METRIC DIM. AS REF.	 a bel group
		FILE NAME L8BE-1G1T91A_PA.DWG	.X	UNIT : INCH [mm]	
DRAWN BY LIU DONGJUN DATE 2017-06-20		.XX	SCALE : N/A		
		.XXX	±0.004	SIZE : A4	

THE INFORMATION CONTAINED HEREIN IS CONSIDERED "PROPRIETARY" TO BEL FUSE INC. AND SHALL NOT BE COPIED, REPRODUCED OR DISCLOSED WITHOUT THE WRITTEN APPROVAL OF BEL FUSE INC.

PRELIMINARY



NOTES

THE SHADED AREA ON THE CUSTOMER BOARD ARE RECOMMENDED TO BE CLEAR OFF ANY VIA HOLE OR COMPONENT PAD.

REV. : PA PAGE : 5

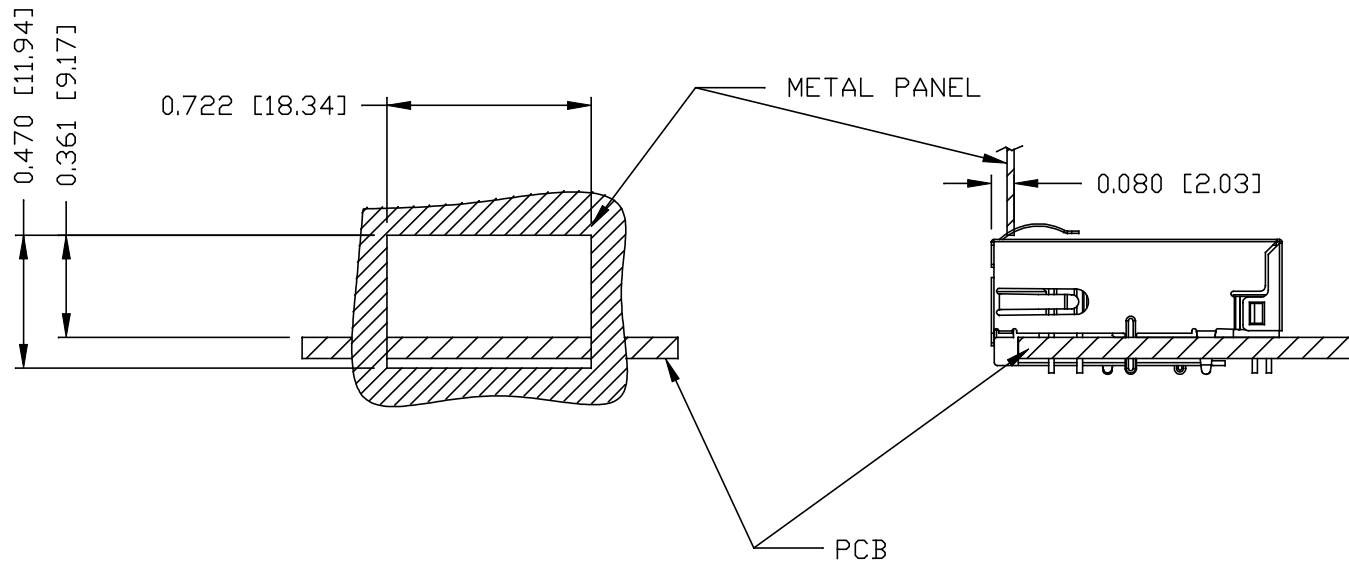
ORIGINATED BY ANTON LIAO DATE 2017-06-20	TITLE 10/100 MagJack® (NanoJack) L8BE-1G1T-91A PATENTED	PART NO. / DRAWING NO. L8BE-1G1T91A	STANDARD DIM. TOL. IN INCH	[] METRIC DIM. AS REF.	 a bel group
		FILE NAME L8BE-1G1T91A_PA.DWG	.X .XX .XXX	UNIT : INCH [mm] SCALE : N/A SIZE : A4	
DRAWN BY LIU DONGJUN DATE 2017-06-20		±0.004			

THE INFORMATION CONTAINED HEREIN IS CONSIDERED "PROPRIETARY" TO BEL FUSE INC. AND SHALL NOT BE COPIED, REPRODUCED OR DISCLOSED WITHOUT THE WRITTEN APPROVAL OF BEL FUSE INC.

PRELIMINARY



SUGGESTED PANEL OPENING



NOTES:

THE DISTANCE OF PANEL INSIDE SURFACE RELATIVE TO FRONT SURFACE OF PART IS ONLY A SUGGESTION. IN CASE THIS DISTANCE IS DIFFERENT, THE REQUIRED PANEL OPENING DIMENSIONS CHANGE ACCORDINGLY.

PACKING INFORMATION

PACKING TRAY : 0200M9999-C0 (TOP)
0200M9999-C1 (BOTTOM)

PACKING QUANTITY : 54 PCS FINISHED GOODS PER TRAY
11 TRAYS (594 PCS FINISHED GOODS) PER CARTON BOX

NOTER: CARDBOARDS ARE PLACED BETWEEN LAYERS OF PACKING TRAY INSIDE CARTON BOX
(INCLUDE THE UPPERMOST AND LOWERMOST TRAY)

REV. : PA PAGE : 6

ORIGINATED BY
ANTON LIAO
DATE 2017-06-20
DRAWN BY
LIU DONGJUN
DATE 2017-06-20

TITLE
10/100 MagJack®
(NanoJack)
L8BE-1G1T-91A
PATENTED

PART NO. / DRAWING NO.
L8BE-1G1T91A
FILE NAME
L8BE-1G1T91A_PA.DWG

STANDARD DIM. TOL. IN INCH	[] METRIC DIM. AS REF.
.X	UNIT : INCH [mm]
.XX	SCALE : N/A
.XXX ±0.004	SIZE : A4

