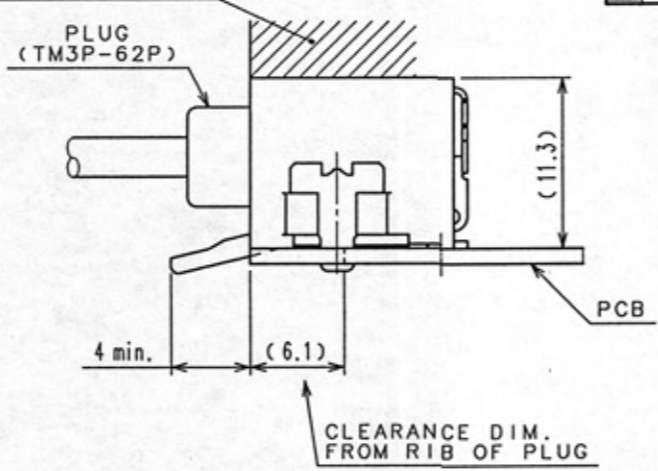
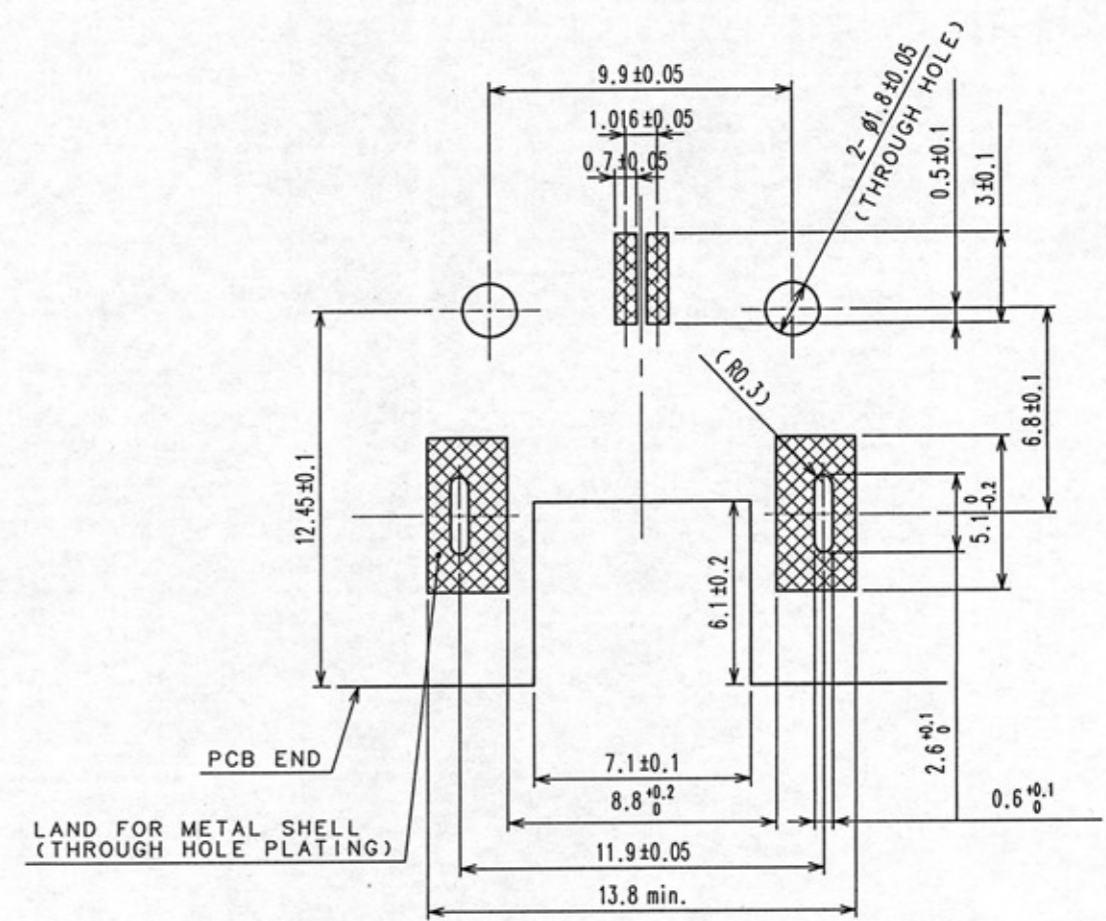


COUNT	DESCRIPTION OF REVISIONS	BY	CHKD	DATE	COUNT	DESCRIPTION OF REVISIONS	BY	CHKD	DATE

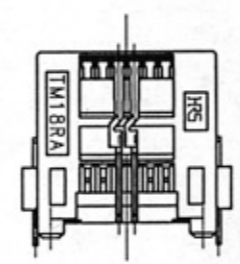
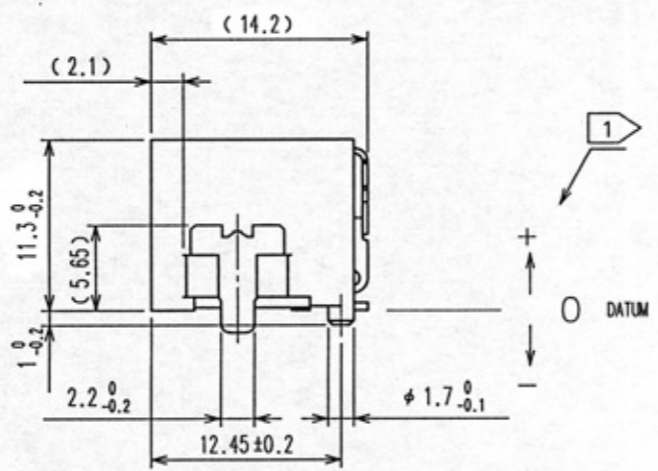
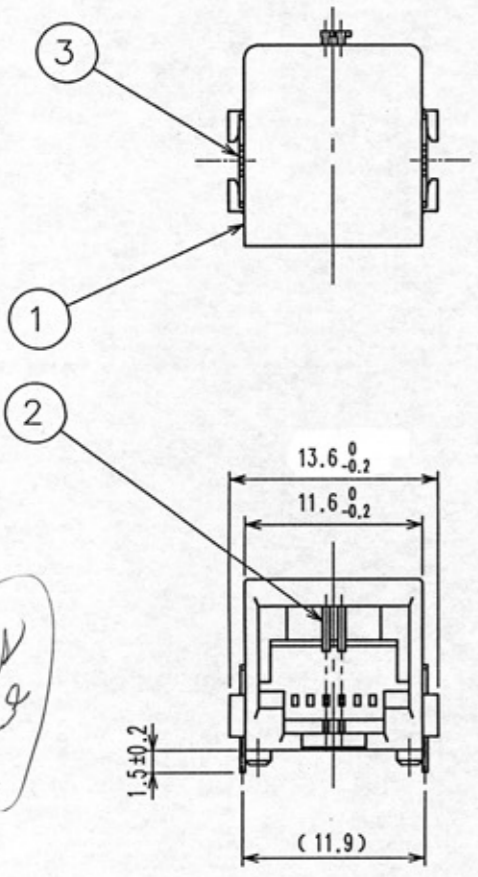
HOLD WITH SET FRAME PLUG MATED



RECOMMENDED PCB PATTERN, MOUNTING SIDE (4:1)
t=1

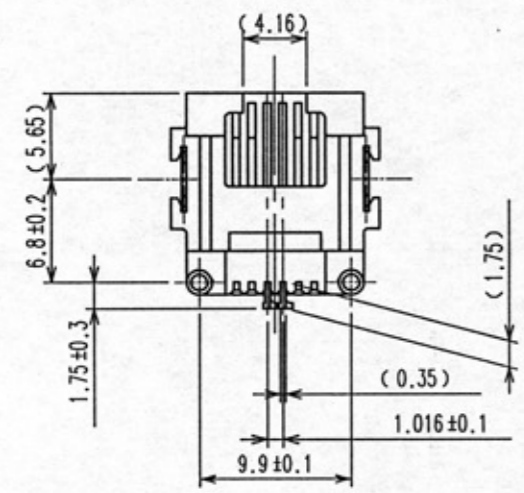


this one



DRAWING FOR REFERENCE
This is subject to change without notice

NOTE 1 THE CO-PLANARITY OF LEADS SHALL BE 0.05°.



2	PHOSPHOR BRONZE	CONTACT AREA: GOLD PLATING 1.27µm SOLDERING AREA: TIN-LEAD PLATING 3µm			
1	PA	BLACK UL94V-0	3	COPPER ALLOY	TIN-LEAD PLATING
NO.	MATERIAL	FINISH, REMARKS	NO.	MATERIAL	FINISH, REMARKS
CODE NO. (OLD)	CL		DRAWN	DESIGNED	CHECKED
			T. Kameya	T. Kameya	T. Watanabe
			02-3-8	02-3-8	02-3-11
					H. Miwa
					02-03-11
					ENG 02.3.11 DEPF
SCALE	2 : 1	DRAWING NO.	PART NO.		
UNITS	mm	EDC3-121547	TM18RA-FT-62		
		HRS HIROSE ELECTRIC CO., LTD	CODE NO.	CL222-2864-4	
					1/1