

1

2

3

4

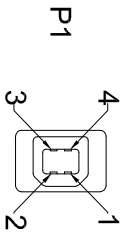
5

6

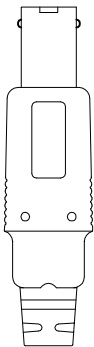
7

A

2000±50



Cable BLACK print
 AWMM STYLE 2725 80°C 30V VW-1 28AWG/1P 24AWG/2C
 ---c AWMM /III A 80°C 30V FT1 USB 1.1 CABLE



A

B

C

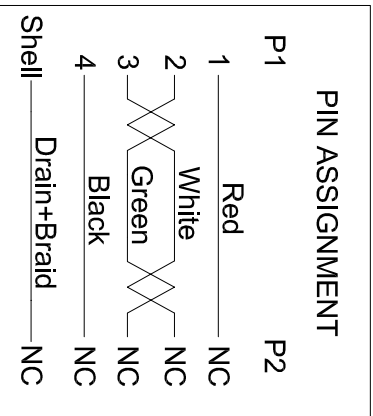
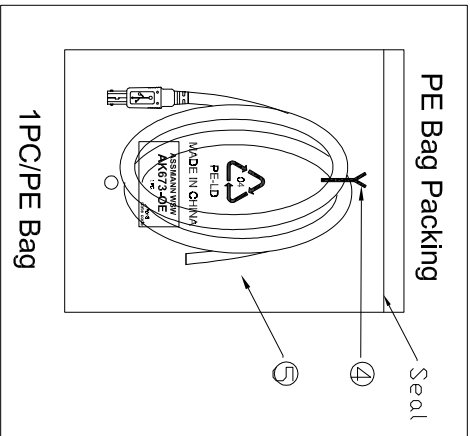
D

Electrical test:

1. 100% short, open, miss wire test
2. Conduct resistance: 2 Ohm max.
3. Insulator resistance: 5Mohm min.
4. Dielectric test: DC 300V

D

E



⑤	PE Bag	1	Clear Print black "MADE IN CHINA"+ "1PC"
④	TIE	1	White
③	Out Jacket	NA	Beige(BG002) PVC-45P
②	Cable	1	USB1.1 UL2725 28#/1P+24#/2C+AEB OD:4.7mm Beige(BG002)
①	CONN	1	USB B Male Shell:Nickel Pin:G/F Insulator color: White

F

G

RoHS compliant

Unit: mm

NO.	NAME:	QTY	SPECIFICATION	
			Customer-No.	
			ASSMANN WSW-No.	AK673-OE

G

H

Scale	Free							
TOLERANCE								
DIM	TOL							
Angle	TOL							
		①	Drawn	Modification				
			01.07.2016					
			Amy					

H

1

2

3

4

5

6

7



Drawing-No.

ASS 7687 CA

rev00

Replace

Sheet

H