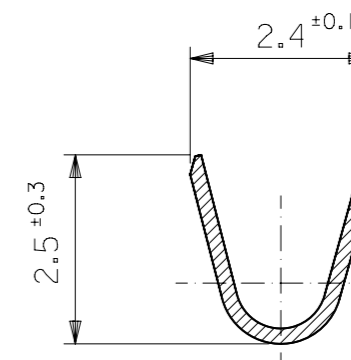
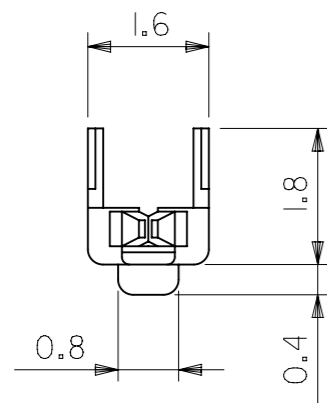
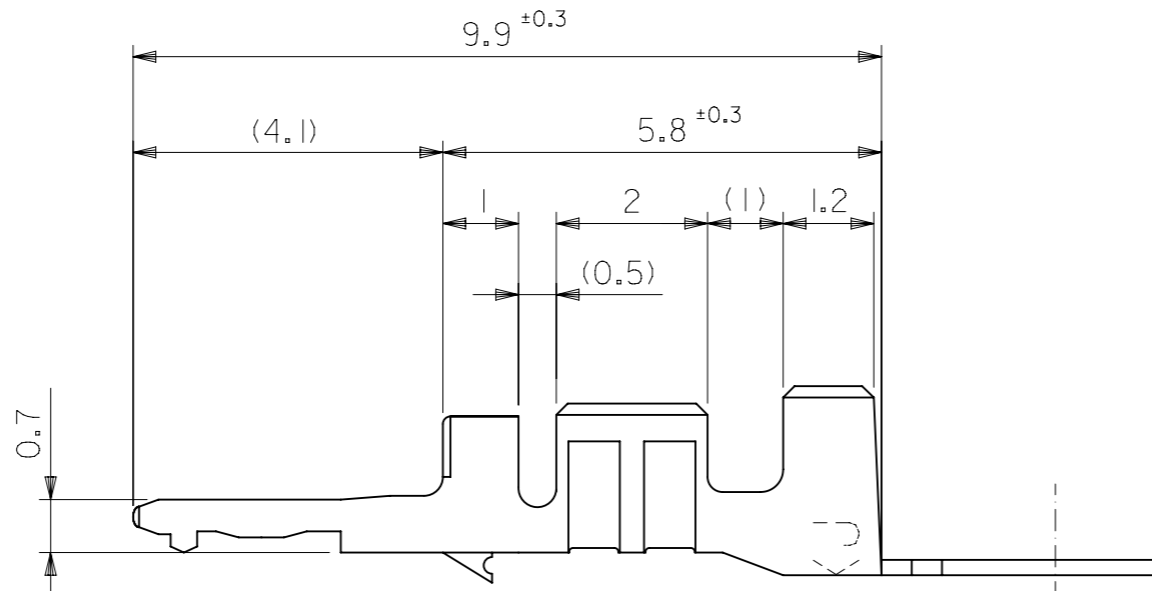


断面 A-A  
SECT.A-A



断面 B-B  
SECT.B-B



注記  
NOTE

1. 適合ハウジング: 51035-\*\*00  
APPLICABLE HOUSING: 51035-\*\*00

50097-8000	連鎖状
ENG.NO.	形状

THIS DRAWING CONTAINS INFORMATION THAT IS PROPRIETARY TO MOLEX ELECTRONIC TECHNOLOGIES, LLC AND SHOULD NOT BE USED WITHOUT WRITTEN PERMISSION

材料 MATERIAL	リン青銅 (錫メッキ) PHOSPHOR BRONZE t=0.203 PRE-TINNED PLATE
仕上げ FINISH	—//—
適用電線範囲 WIRE RANGE	AWG #24~20 KV 0.2~0.5 AVS 0.3~0.5
被覆外径 INS. RANGE	∅1.3~2.1

角度 ANGLE	±3°
30 以上 OVER	±0.3
10 以上 30 未満 OVER UNDER	±0.25
10 未満 UNDER	±0.2
一般公差 GENERAL TOLERANCES	

DIMENSION UNITS	SCALE
mm	10:1
GENERAL TOLERANCES (UNLESS SPECIFIED)	
4 PLACES	±
3 PLACES	±
2 PLACES	±
1 PLACE	±
0 PLACES	±
ANGULAR TOL	± °
DRAFT WHERE APPLICABLE MUST REMAIN WITHIN DIMENSIONS	

CURRENT REV DESC:	
EC NO: 632260	2020/01/30
DRWN: AKUMAR19	2020/02/28
CHK'D: GGA	2020/02/28
APPR: GGA	2020/02/28
INITIAL REVISION:	
DRWN: K.KITA	1996/06/28
APPR: M.ENOMOTO	1996/06/28
THIRD ANGLE PROJECTION	DRAWING
①	A3-SIZE
SERIES	50097

<b>molex</b>			
BOARD IN CONNECTOR CRIMP PIN			
PRODUCT CUSTOMER DRAWING			
DOCUMENT NUMBER	DOC TYPE	DOC PART	REVISION
SD-50097-8X00	PSD	001	D
MATERIAL NUMBER	CUSTOMER	SHEET NUMBER	
SEE TABLE		1 OF 1	