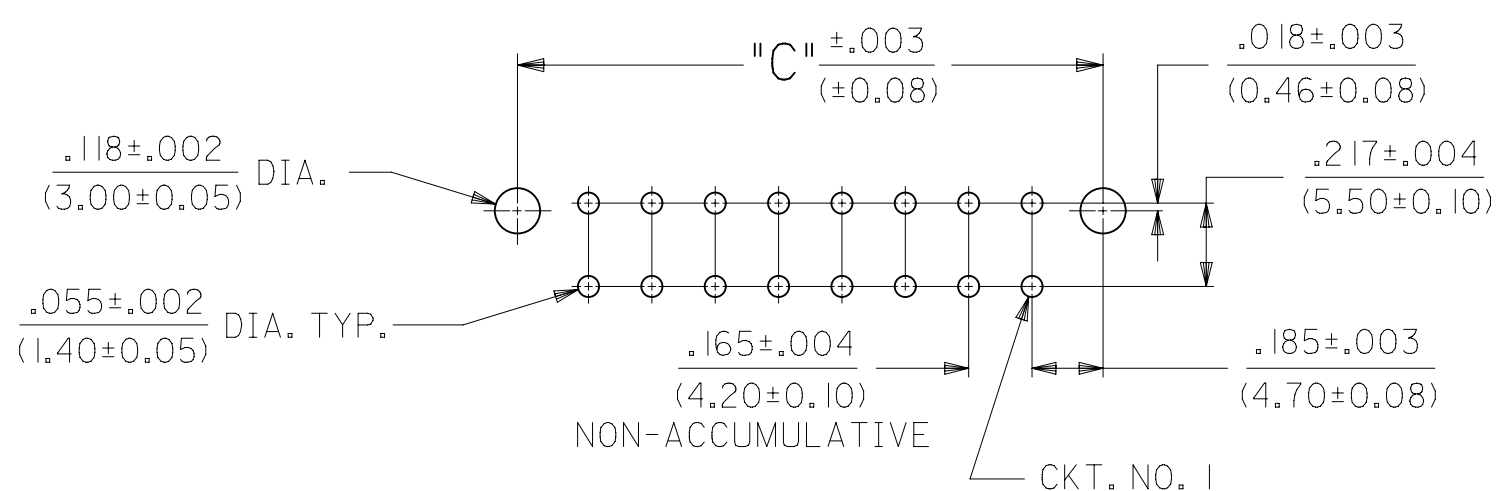
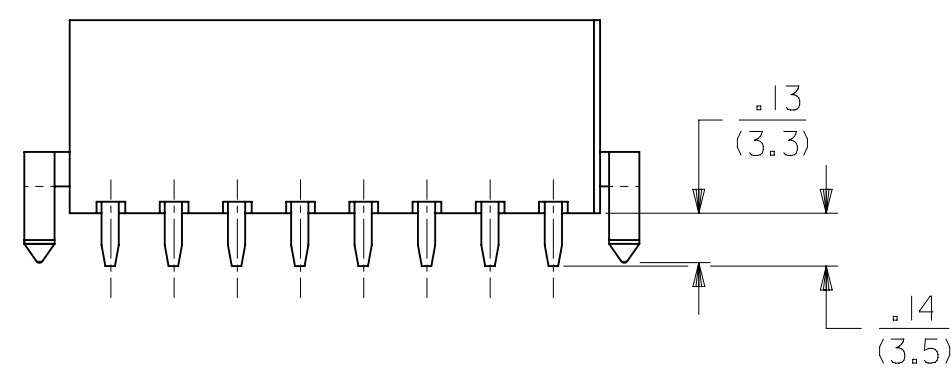
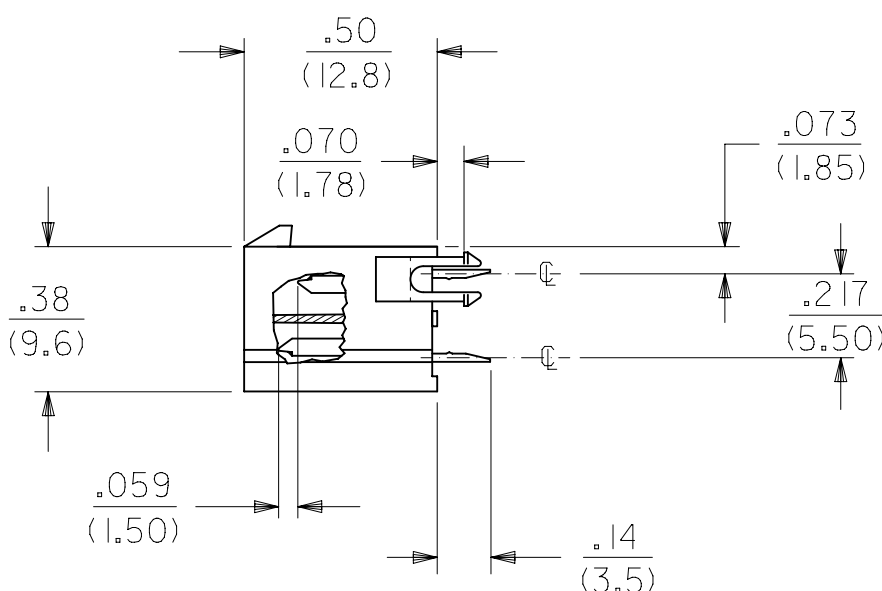
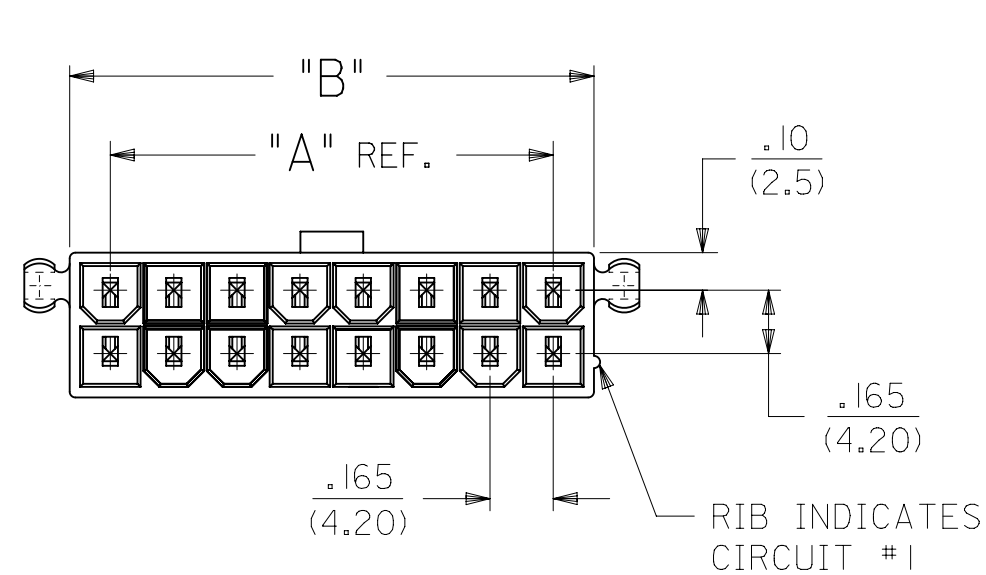
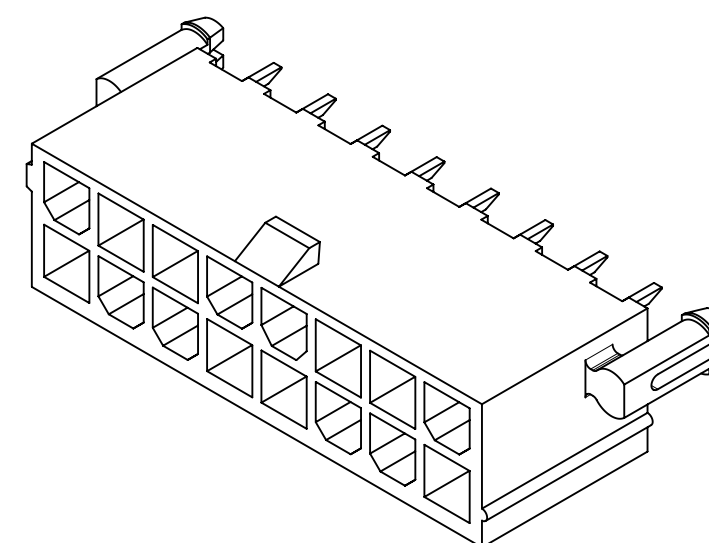


CIRCUIT SIZE	DIM. "A"	DIM. "B"	DIM. "C"
2	—	.21 (5.4)	.370 (9.40)
4	.17 (4.2)	.38 (9.6)	.535 (13.60)
6	.33 (8.4)	.54 (13.8)	.701 (17.80)
8	.50 (12.6)	.71 (18.0)	.866 (22.00)
10	.66 (16.8)	.87 (22.2)	1.031 (26.20)
12	.83 (21.0)	1.04 (26.4)	1.197 (30.40)
14	.99 (25.2)	1.20 (30.6)	1.362 (34.60)
16	1.16 (29.4)	1.37 (34.8)	1.528 (38.80)
18	1.32 (33.6)	1.54 (39.0)	1.693 (43.00)
20	1.49 (37.8)	1.70 (43.2)	1.858 (47.20)
22	1.65 (42.0)	1.87 (47.4)	2.024 (51.40)
24	1.82 (46.2)	2.03 (51.6)	2.189 (55.60)

NOTES

- HOUSING MATERIAL AND OPTIONS:
SEE CHARACTERISTICS LEGEND ON SHEET 2
TERMINAL MATERIAL: BRASS ALLOY
- TERMINAL PLATING:
"A"= .000100/(.00254) MIN. MATTE TIN OVER .000050/(.00127) MIN. NICKEL. OVERALL
"D"= .000100/(.00254) MIN. BRIGHT TIN OVER .000050/(.00127) MIN. NICKEL. OVERALL
"E"= .000030/(.00076) MIN. SELECT GOLD, .000100/(.00254) MIN. SELECT MATTE TIN, OVER .000050/(.00127) MIN. NICKEL OVERALL
- PRODUCT SPECIFICATION: PS-5556-001
- PACKAGING SPECIFICATION: SEE CHART ON SHEET 2
- PART MATES WITH MINI-FIT JR RECEPTACLE #5557
- PARTS ARE NOT DESIGNED FOR CURRENT SHARING.
- PART CONFORMS TO CLASS "B" REQUIREMENTS OF COSMETIC SPECIFICATION PS-45499-002
- CONNECTOR ASSEMBLIES ARE NOT TO BE MATED OR UNMATED WHILE CIRCUITS ARE LIVE
- TEXT ON PART IS FOR REFERENCE ONLY. TEXT AND TEXT LOCATION MAY VARY DEPENDING ON PART NUMBER AND/OR TOOL.



RECOMMENDED HOLE LAYOUT FOR .070/(1.78) MAX. THICK P.C. BOARD

VIEWED FROM COMPONENT SIDE

THIS DRAWING CONTAINS INFORMATION THAT IS PROPRIETARY TO MOLEX ELECTRONIC TECHNOLOGIES, LLC AND SHOULD NOT BE USED WITHOUT WRITTEN PERMISSION									
SYMBOLS	DIMENSION UNITS	SCALE	CURRENT REV DESC: INITIAL RELEASE						
∇ = 0	IN/MM	2:1	<p>molex</p> <p>2-24 CKT VERT HDR ASSY MIN-FIT JR MF/BL W/WO PEGS</p> <p>PRODUCT CUSTOMER DRAWING</p> <p>DOCUMENT NUMBER: 434600000-SD DOC TYPE: PSD DOC PART: 000 REVISION: A</p> <p>MATERIAL NUMBER: SEE SHEET 2 CUSTOMER: GENERAL MARKET SHEET NUMBER: 1 OF 2</p>						
∇ = 0	GENERAL TOLERANCES (UNLESS SPECIFIED)								
∇ = 0	MM	INCH							
∇ = 0	4 PLACES	±	EC NO: 173061	DRWN: AZAHIROVIC	2018/02/26				
∇ = 0	3 PLACES	±	0.015	CHK'D: JBELL	2018/04/06				
∇ = 0	2 PLACES	±	0.38	±	0.02	APPR: FSMITH	2018/04/13		
∇ = 0	1 PLACE	±	0.5	±		INITIAL REVISION:			
∇ = 0	0 PLACES	±		±		DRWN: AFG	1994/12/14		
∇ = 0	ANGULAR TOL	±	0.5°	THIRD ANGLE PROJECTION		APPR: FSMITH	2011/06/17		
∇ = 0	DRAFT WHERE APPLICABLE MUST REMAIN WITHIN DIMENSIONS		DRAWING		SERIES	C-SIZE	43460		

ITEM NO.	CHARACTERISTIC DESCRIPTION	TERMINAL VERSION REQUIRED AT EACH CIRCUIT LOCATION: (SEE CODES AT RIGHT)																								PACKAGING
		1	2	3	4	5	6	7	8	9	10	11	12	13	14	15	16	17	18	19	20	21	22	23	24	
43460-0011	02FAD	9	5	-	-	-	-	-	-	-	-	-	-	-	-	-	-	-	-	-	-	-	-	-	-	PK-5566-003
43460-0012	02AAA	8	1	-	-	-	-	-	-	-	-	-	-	-	-	-	-	-	-	-	-	-	-	-	-	PK-5566-001
43460-0013	08EAA	8	1	8	8	8	1	8	8	-	-	-	-	-	-	-	-	-	-	-	-	-	-	-	-	PK-5566-001
43460-0014	04FAA	1	8	8	8	-	-	-	-	-	-	-	-	-	-	-	-	-	-	-	-	-	-	-	-	PK-5566-001
43460-0015	24AAA	1	8	8	8	8	8	8	8	8	8	8	1	1	8	8	8	8	8	8	8	8	8	8	1	PK-5566-001
43460-0016	24AAE	3	10	10	10	10	10	10	10	10	10	10	3	3	10	10	10	10	10	10	10	10	10	10	3	PK-5566-001
43460-0017	06BAE	10	10	10	3	3	10	-	-	-	-	-	-	-	-	-	-	-	-	-	-	-	-	-	-	PK-5566-001

TERM. CODES FOR CHART AT LEFT		
TERMINAL NO.	PLATING /	MATERIAL
1=MAKE-FIRST	A	BRASS
3=MAKE-FIRST	E	BRASS
5=MAKE-FIRST	D	BRASS
8=STANDARD	A	BRASS
9=STANDARD	D	BRASS
10=STANDARD	E	BRASS

CHARACTERISTICS LEGEND:

CIRCUIT SIZE: _____ ** * * *

(02-24)

HOUSING MATERIAL AND OPTIONS: _____


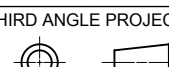
"A"=NYLON 6/6, UNFILLED U.L. 94V-2, WITH PEGS, COLOR: NATURAL.
 "B"=NYLON 6/6, UNFILLED U.L. 94V-0, WITH PEGS, COLOR: NATURAL.
 "E"=NYLON 6/6, UNFILLED U.L. 94V-2, WITHOUT PEGS, COLOR: NATURAL.
 "F"=NYLON 6/6, UNFILLED U.L. 94V-0, WITHOUT PEGS, COLOR: NATURAL.

TERMINAL MATERIAL: _____

"A"=BRASS ALLOY

TERMINAL PLATING (SEE NOTE 2): _____

"A"= 100 MIN. MATTE TIN OVER 50 MIN. NICKEL
 "D"= 100 MIN. TIN OVER 50 MIN. NICKEL
 "E"= 30 MIN. GOLD AND 100 MIN. MATTE TIN OVER 50 MIN. NICKEL

SYMBOLS	THIS DRAWING CONTAINS INFORMATION THAT IS PROPRIETARY TO MOLEX ELECTRONIC TECHNOLOGIES, LLC AND SHOULD NOT BE USED WITHOUT WRITTEN PERMISSION												
	DIMENSION UNITS	SCALE		CURRENT REV DESC: INITIAL RELEASE									
▽ = 0	IN/MM	1:1		EC NO: 173061 DRWN: AZAHIROVIC 2018/02/26 CHK'D: JBELL 2018/04/06 APPR: FSMITH 2018/04/13								2-24 CKT VERT HDR ASSY MIN-FIT JR MF/BL W/WO PEGS	
▽ = 0	GENERAL TOLERANCES (UNLESS SPECIFIED)									INITIAL REVISION: DRWN: AFG 1994/12/14 APPR: FSMITH 2011/06/17			
▽ = 0	4 PLACES ±		MM	INCH	DOCUMENT NUMBER 434600000-SD								
▽ = 0	3 PLACES ±		± 0.015								MATERIAL NUMBER SEE SHEET 2		
▽ = 0	2 PLACES ±		± 0.38	± 0.02	THIRD ANGLE PROJECTION 								
▽ = 0	1 PLACE ±		± 0.5	±							DRAFT WHERE APPLICABLE MUST REMAIN WITHIN DIMENSIONS		
▽ = 0	0 PLACES ±		±	±	C-SIZE 43460								
▽ = 0	ANGULAR TOL ± 0.5 °										DRAWING SERIES C-SIZE 43460		
▽ = 0	DRAFT WHERE APPLICABLE MUST REMAIN WITHIN DIMENSIONS				SHEET NUMBER 2 OF 2								

THIS DRAWING REPLACES DRAWING SDA-43460-****

DOCUMENT STATUS	P1	RELEASE DATE	2018/04/13	22:56:46
-----------------	----	--------------	------------	----------