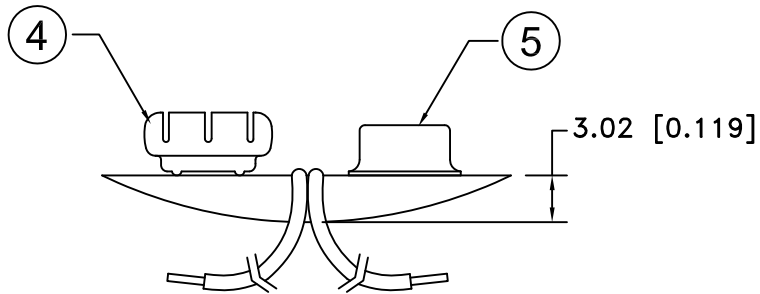
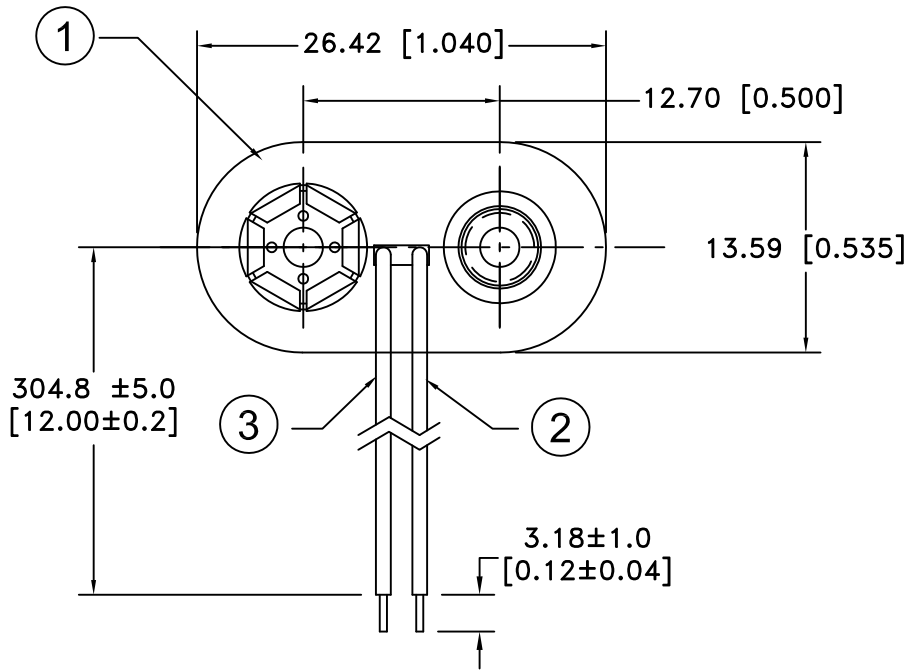



Date	SYM	REVISION RECORD	AUTH	DR.	CK.
4/22/06	A	Added "ROHS COMPLIANT"	T.B.	B.S.	
10/03/14	B	UPDATED TO ROHS 2 COMPLIANT	T.B.	B.S.	



ROHS 2 COMPLIANT

NO.	PART NAME	MATERIAL	QTY.	Tolerance (Except as noted)	
				decimal	Fractional
1	COVER	PVC COVER OVER FIBERBOARD	1	 Memory Protection Devices, Inc 200 Broad Hollow Road, Farmingdale, New York 11735	Scale Drawn By B.S. Approved By T.B.
2	BLACK WIRE(-)	24 AWG OR 26 AWG, UL-1007, CSA TR-64, 300V, 80°C	1		
3	RED WIRE (+)	24 AWG OR 26 AWG, UL-1007, CSA TR-64, 300V, 80°C	1		
4	FEMALE SNAP	BRASS NICKLE PLATED	1		
5	MALE SNAP	BRASS NICKLE PLATED	1		
				Angular ± 3°	Title 9 VOLT BATTERY SNAP-T STYLE-12" WIRE LEADS Date 10/03/14 Drawing Number BS12T