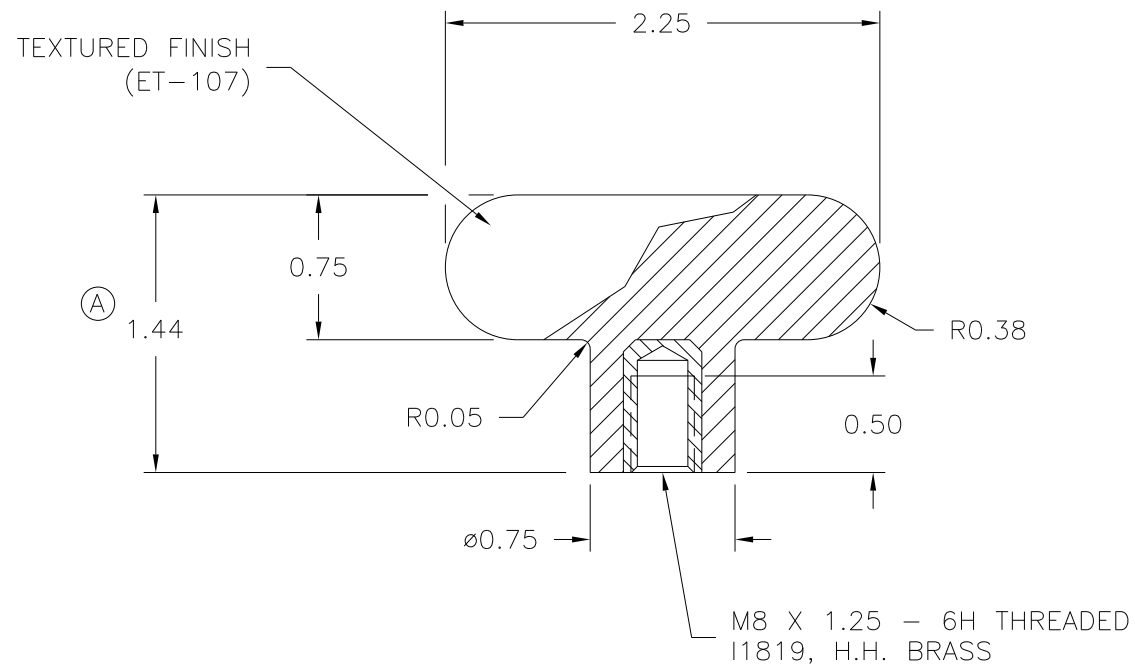


PART NAME: KNOB      SCALE: 1:1      DATE: 4/29/94      DR. BY HD

THIS DRAWING IS THE PROPERTY OF DAVIES MOLDING COMPANY, IS SUBMITTED SOLELY AS A DESIGN OR ENGINEERING PROJECT. WE ACCEPT NO RESPONSIBILITY WHATSOEVER FOR THE PRACTICAL APPLICATION OF THE PIECES MADE TO THIS DESIGN.



P/N	3081AE
M <sup>NO.</sup>	23
CAVITY	3081
CORE	3081
SLEEVE	3081
PIN	3081-A
INSERT	11819



MATERIAL: POLYPROPYLENE (CLD) (B)  
 COLOR: BLACK

TOLERANCES: UNLESS OTHERWISE SPECIFIED	DO NOT SCALE DRAWING	B	ADDED MAT. CODE	DS	1/26/07
DECIMALS: X.XXX ± .005 X.XX ± .015	MM: X.XX ± 0.15MM X.X ± 0.4MM	-	REDRAWN	TL	11/11/99
FRACTIONS ± 1/64	ANG. ± 1°	A	1.44 WAS 1.38	HD	7/9/96
CHANGES					