

PART NAME: HUSKY KNOB SCALE: 1:1 DATE: 12/10/86 DR. BY HD

THIS DRAWING IS THE PROPERTY OF DAVIES MOLDING COMPANY, IS SUBMITTED SOLELY AS A DESIGN OR ENGINEERING PROJECT. WE ACCEPT NO RESPONSIBILITY WHATSOEVER FOR THE PRACTICAL APPLICATION OF THE PIECES MADE TO THIS DESIGN.

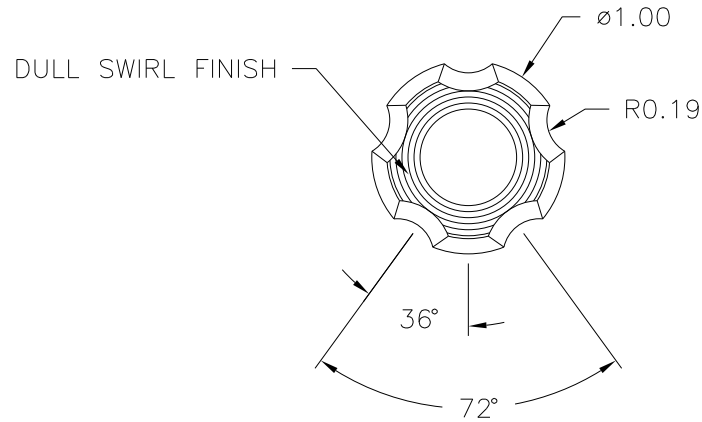


DESIGNERS & MANUFACTURERS OF KNOBS, HANDLES, CASES & CUSTOM PLASTIC COMPONENTS

P/N 2850-A

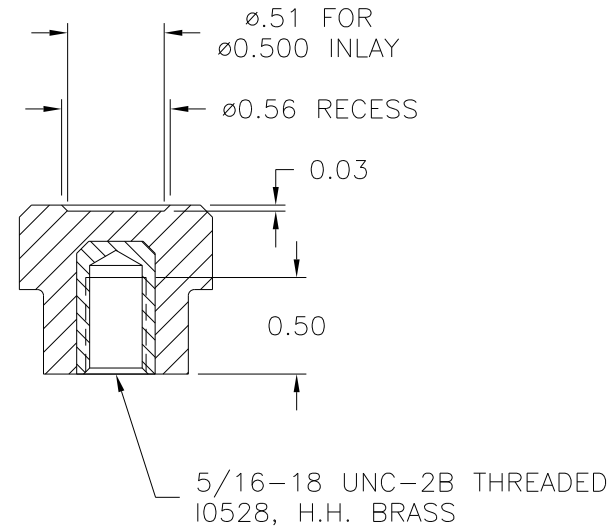
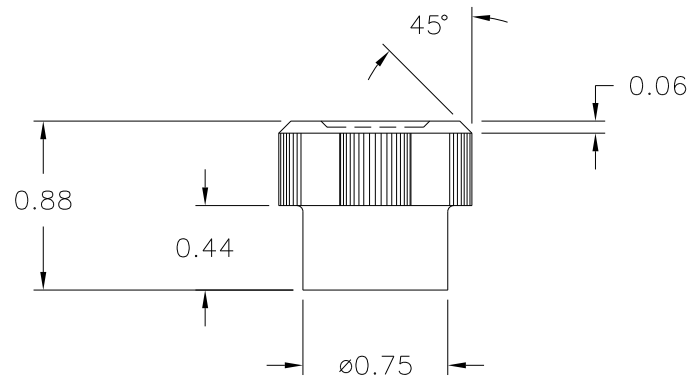
M^{NO.} 3025-2

| | |
|----------------------|------------------------|
| CAVITY | 2850 |
| PLUNGER | 2850 |
| PIN | 3000-K |
| LEG SPACER EXTENSION | 2850 (4) 1.693 HIGH |
| INSERT | I0528 |
| PLUNGER KEY | 1/4x1/4x9/16 |
| CAVITY KEY | 1/4x1/4x9/16 |



NOTES: DO NOT INSTALL 2850 MOLD IN 3025-1 MOLD FRAME, USE ONLY 3025-2 MOLD FRAME

FOR ALL 2850 MOLD SET-UPS IN 3025-2, BE SURE SPACER EXTENSIONS ARE MOUNTED UNDER LEG SUPPORTS



MATERIAL: #4311 PLENCO PHENOLIC
COLOR: BLACK

| | | | | |
|---|----------------------------------|---|---------------|-------------|
| TOLERANCES: UNLESS OTHERWISE SPECIFIED | DO NOT SCALE DRAWING | | | |
| DECIMALS: X.XXX ± .015 X.XX ± .015 | MM: X.XX ± 0.15MM X.X ± 0.4MM | - | RE-DID REDRAW | TL 11/22/99 |
| FRACTIONS ± 1/64 | ANG. ± 1° | - | CAD REDRAW | HD 7/28/94 |
| CHANGES | | | | |