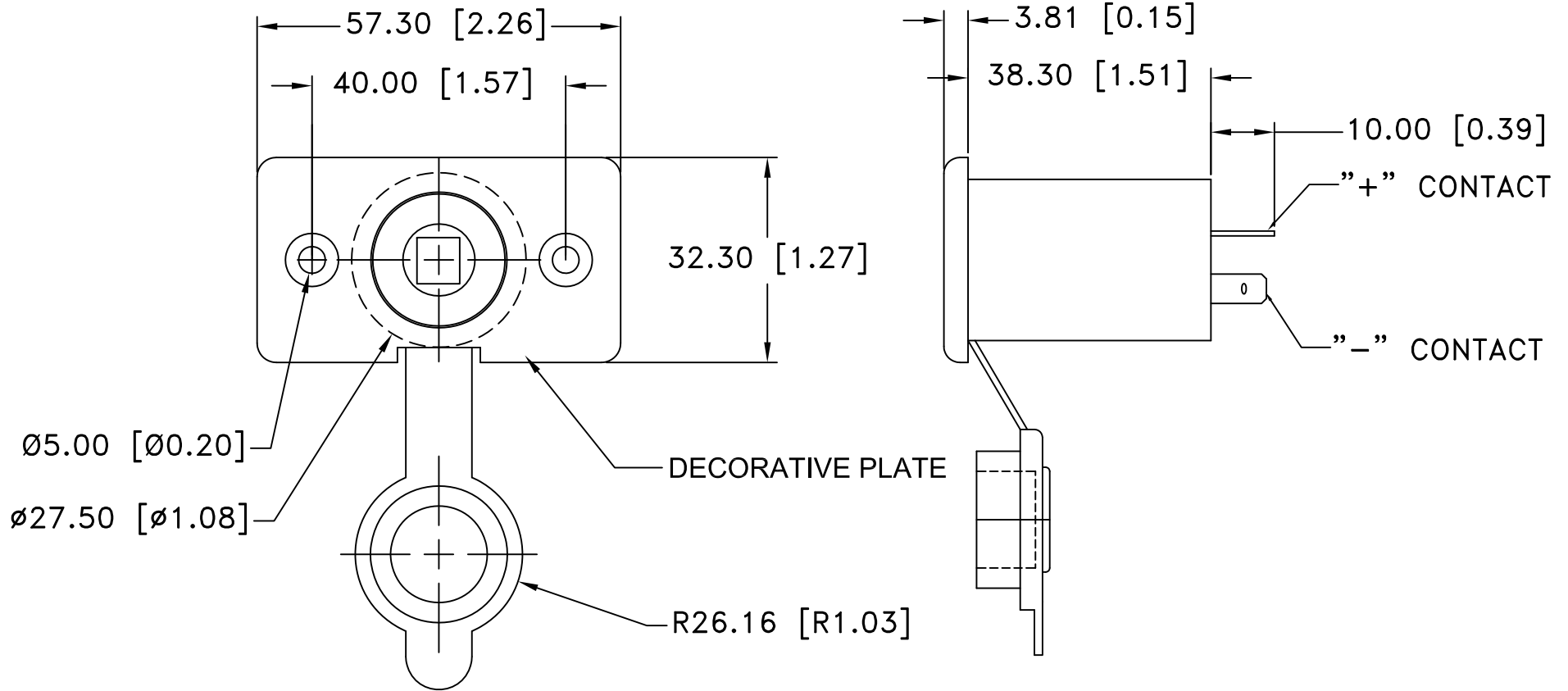



Date	SYM	REVISION RECORD	AUTH	DR.	CK.
11/07/14	A	UPDATED TO ROHS 2 COMPLIANT	T.B.	B.S.	



MATERIAL SPECIFICATION:
COVER: PVC
BODY: NYLON #66
CONTACTS: BRASS, NICKEL PLATED
PLATE: NYLON #66
ROHS 2 COMPLIANT

Tolerance (Except as noted)	 Memory Protection Devices, Inc 200 Broad Hollow Road, Farmingdale, New York 11735		
	decimal $\pm .5$ (.020)	Scale	Drawn By B.S. Approved By T.B.
Fractional $\pm .8$ (.030)	Title 12V CIGARETTE SOCKET, 15AMP		
Angular $\pm 3^\circ$	Date 11/07/14	Drawing Number AS215	