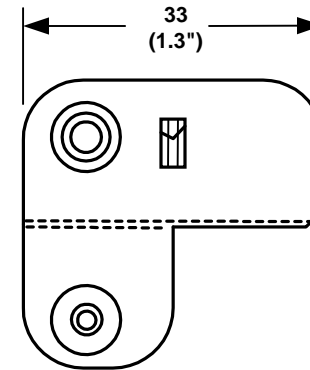
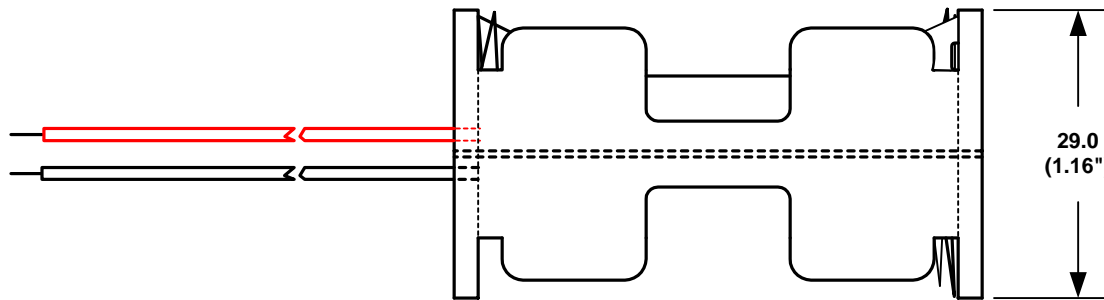
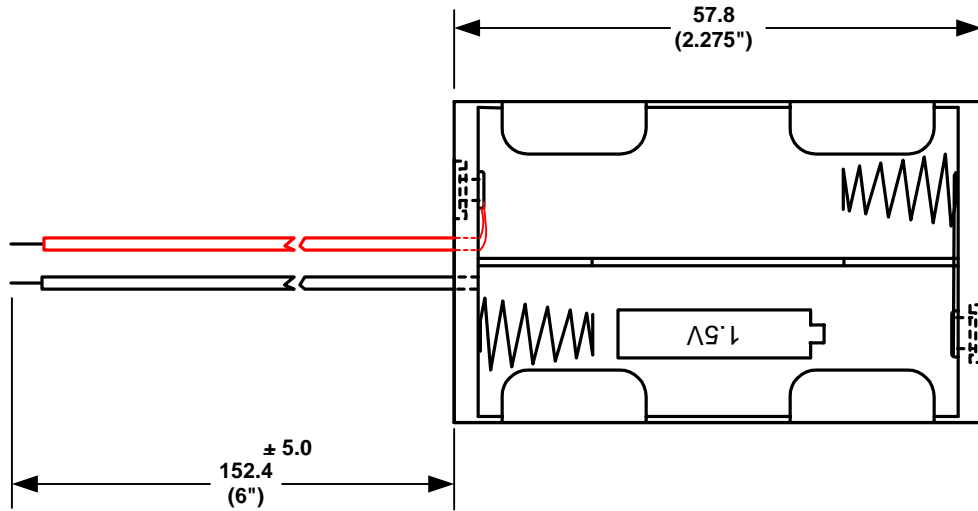


DATE	SYM	REVISION RECORD	AUTH	DR.	CK.
06/30/20	A	remove snap text	tb	dl	bs



WIRE LEADS SHOWN ABOVE


ORDERING CODE **BC3AAG**

**SPECIFICATIONS :**

Plastic material - polypropylene  
 Springs - nickel plated spring steel  
 Wire - 152.4 mm Ref.Long 26 AWG,  
 UL1007, CSA - TR-64, 300V, 80°C.  
 Rivets - Brass, nickel plated

<b>SOLDER LUGS</b>	<b>= L</b>
<b>( 6" ) WIRE LEADS</b>	<b>= W</b>
<b>9 VOLT TYPE SNAPS</b>	<b>=SF</b>

Note: Dimensions in mm. ( inches )

TOLERANCES (EXCEPT AS NOTED)	 <b>Memory Protection Devices, Inc.</b> 200 Broad Hollow Road, Farmingdale, New York 11735		
DECIMAL + .5 (.020") - .5 (.020")	SCALE NONE	DRAWN BY S.C.	APPROVED BY
FRACTIONAL + .8 (.030") - .8 (.030")	TITLE <b>THREE "AA" CELL HOLDER</b>		
ANGULAR + 3° - 3°	DATE 06/30/2020	DRAWING NUMBER <b>BC3AAGW</b>	