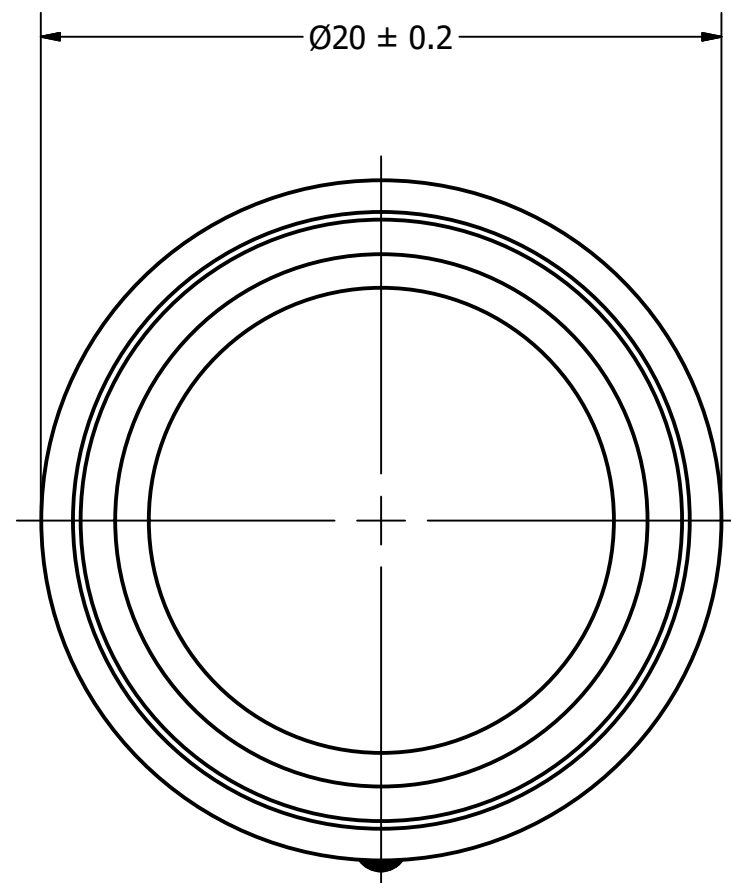
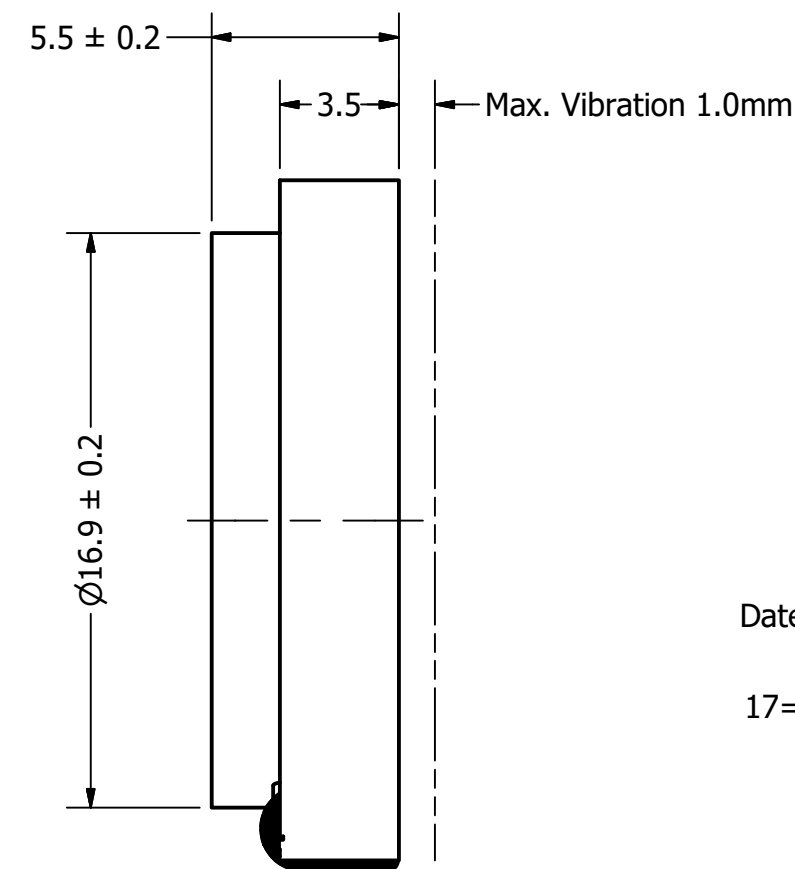


Part Number:	SW200508-1	
DRAWN	CJ	3/10/2017
CHECKED		10/2/2017
P.D.		10/2/2017
Description:	Waterproof Dynamic Speaker	
APPROVED		10/2/2017
C.E.		
This document contains data proprietary to DB Unlimited. Any use or reproduction, in any form, without prior written permission of DB Unlimited is prohibited. All terms and conditions can be found at www.dbunlimitedco.com		

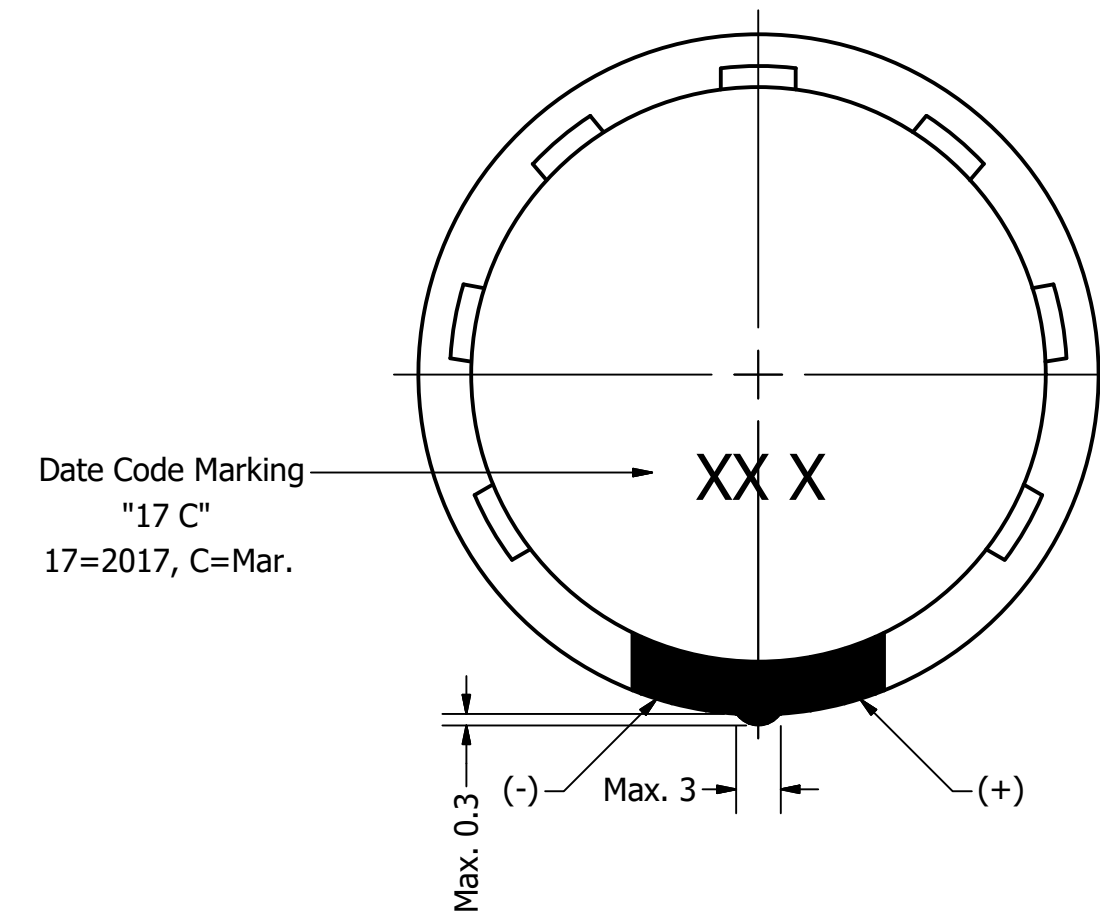
Top View



Side View



Bottom View



Items	Specifications	Conditions	REVISION HISTORY			
Sound Pressure Level	85	dB (@ 10cm), Avg.	REV	DESCRIPTION	DATE	APPROVED
Resonant Frequency	800	Hz		Released from Engineering	10/2/2017	C.E.
Frequency Range	800 ~ 10,000	Hz	1	Update markings	2/28/2018	C.E.
Nominal Power	1.5	W	2	Update resonant freq, range, and add detail on bottom view	5/4/2018	C.E.
Max. Power	2	W				
Impedance	8	Ω				
Cone Material	PU + PEI		NOTES			
Mount Type	Flush Mount		1) All dimensions are in mm unless otherwise noted			
IP Rating	IP67		2) All tolerances are ± 0.2 mm unless otherwise noted			
Storage Temperature	-20 ~ +55	$^{\circ}\text{C}$	3) All parts meet RoHS			
Operating Temperature	-20 ~ +55	$^{\circ}\text{C}$	4) Subject to change or redrawn without notice			
Weight	4.02	g				