

**ebm-papst St. Georgen GmbH & Co. KG**

Hermann-Papst-Str. 1
 D-78112 St. Georgen
 Phone +49 (0) 7724 81-0
 Fax +49 (0) 7724 81-1309
 info2@de.ebmpapst.com
 www.ebmpapst.com

Nominal data

Type	ACI 4420 ML	
Phase		1~
Nominal voltage	VAC	230
Nominal voltage range	VAC	195 .. 265
Speed (rpm)	min ⁻¹	1850
Power consumption	W	1.7
Min. ambient temperature	°C	-20
Max. ambient temperature	°C	75
Air flow	m ³ /h	100
Sound power level	B	4.1
Sound pressure level	dB(A)	25

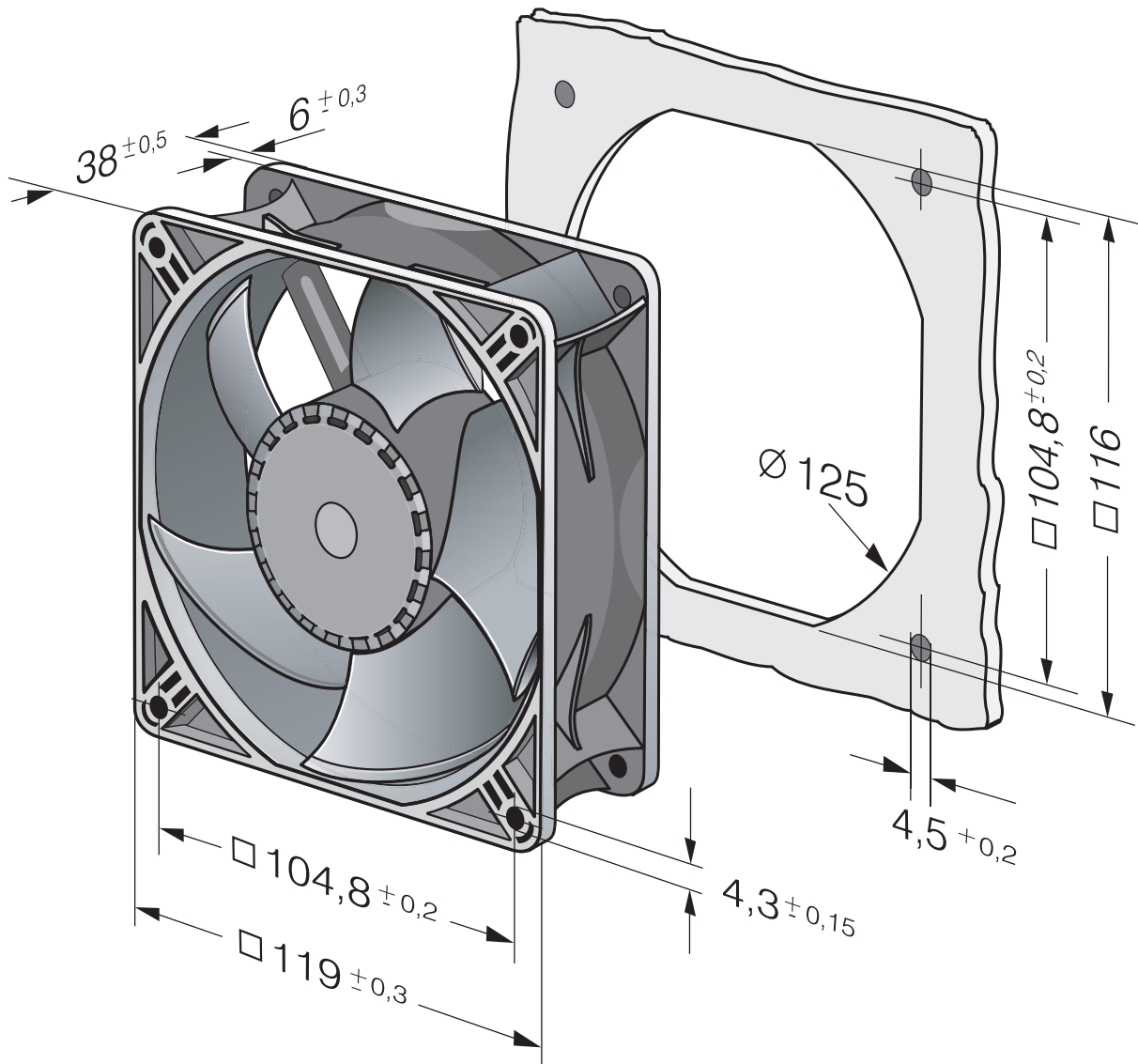
ml = Max. load · me = Max. efficiency · fa = Free air · cs = Customer specification · ce = Customer equipment
 Subject to change



Technical description

General description	Converter electronics and fan electronics fully integrated
Housing material	Glass-fiber reinforced PBT plastic
Impeller material	Glass-fiber reinforced PA plastic
Weight	0.25 kg
Dimensions	119 x 119 x 38 mm
Airflow direction	Exhaust over struts
Direction of rotation	Clockwise, viewed toward rotor
Storage	Ball bearing
Service life L10 at 40 °C	65000 h
Service life L10 at maximum temperature	25000 h
Cable	With flat plug 2.8 x 0.5, optionally also with exposed external leads

Product drawing



Curves

