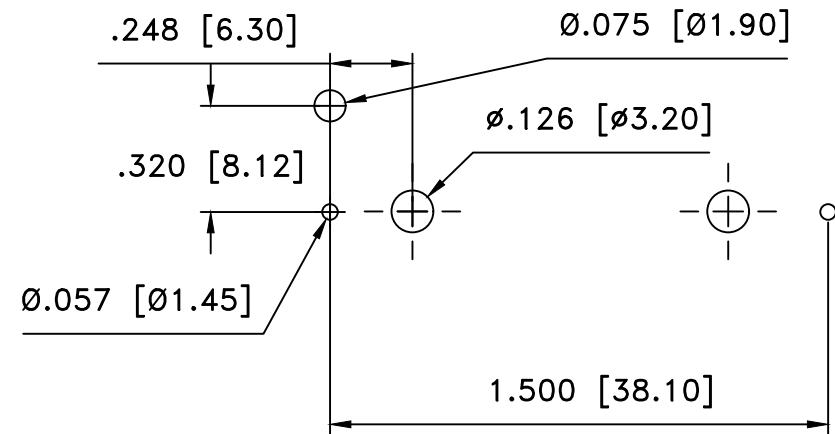
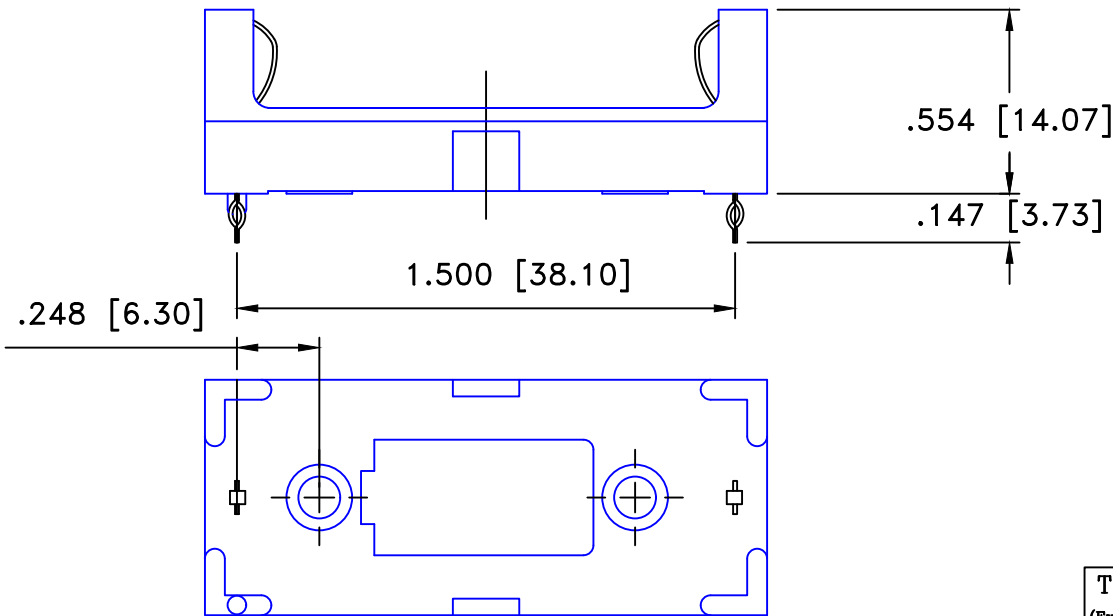
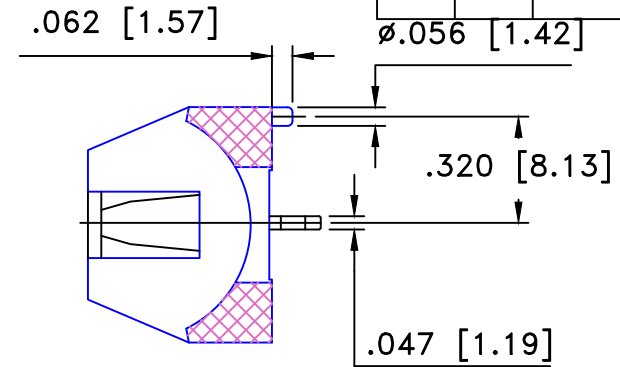
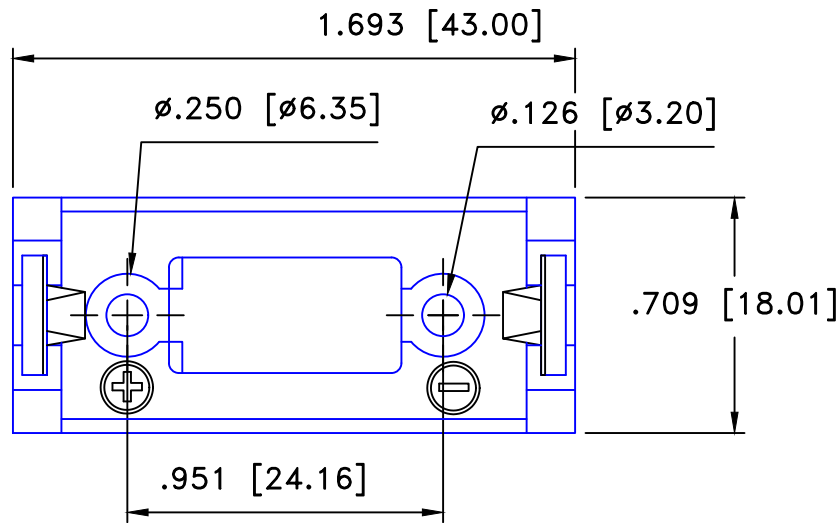



Date	SYM	REVISION RECORD	AUTH	DR.	CK.
7/13/18	H	UPDATED MATERIAL	T.B.	B.S.	
3/06/19	J	UPDATED TO "ROHS COMPLIANT"	T.B.	B.S.	



PC BOARD LAYOUT

ROHS COMPLIANT

Tolerance (Except as noted)	 Memory Protection Devices, Inc 200 Broad Hollow Road, Farmingdale, New York 11735	Scale	Drawn By T.S.
		±.020 (.5)	2=1 Approved By T.B.
Fractional ± .030 (.8)	Title 2/3A BATTERY HOLDER		
Angular ± 3°	Date 03/06/19	Drawing Number BC2/3AE	

TYP. EYELET	STIMPSON #A1737 .122 O.D. x .230 FLANGE
CONTACT	TYPE 301 STAINLESS STEEL .03 MM THICK .0005" THICK NICKEL PLATED
HOLDER	NYLON 66 25% G/F NAN YA 6410G5, FLAMMABILITY RATING, UL94V-0, BLACK, FILE # E235269, TEMPERATURE RANGE: -40°C TO 200°C, HDT PER ISO 75-2: 250°C
PART	MATERIAL