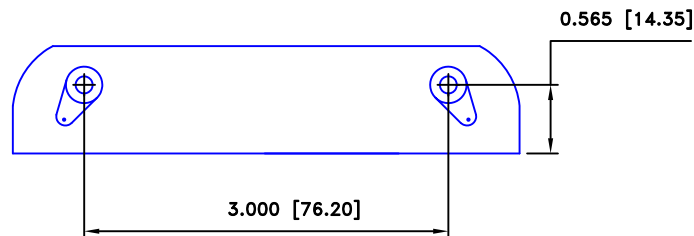
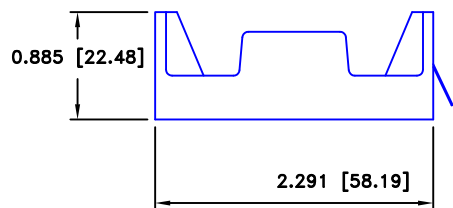
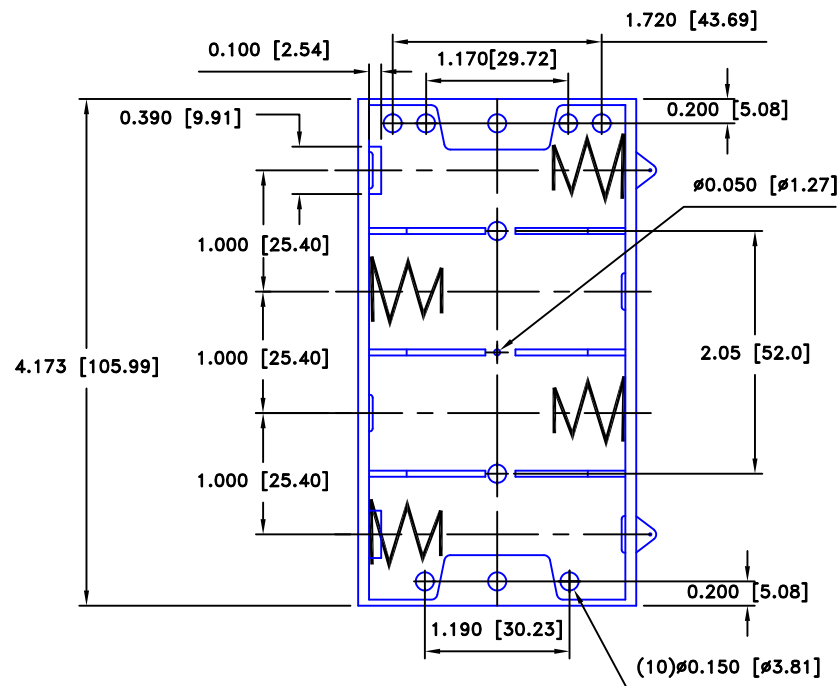


Date	SYM	REVISION RECORD	AUTH	DR.	CK.
5/31/13	D	UPDATED TO ROHS 2 COMPLIANT	T.B.	B.S.	
6/14/13	E	UPDATED TITLE	T.B.	B.S.	
6/02/17	F	DIM. 2.05 WAS 2.00	T.B.	B.S.	
7/07/17	G	ADDED MOUNTING INSTRUCTION	T.B.	B.S.	




Solder Lugs shown

SPECIFICATIONS

Plastic material - Polypropylene
 Flammability Rating -UL94-HB, UL File NO. E216959
 Temperature Range: -10°C to +100°C
 Springs - Nickel Plated Spring Steel
 Lugs: Brass, Nickel Plated
 Rivets - Brass, Nickel Plated
 CONTACT RESISTANCE: UNDER 50mΩ FOR +/- CONTACTS PER EIA-540J000
 ROHS 2 COMPLIANT

MOUNTING INSTRUCTION:
 USE 4-40 MACHINE SCREWS.
 ALSO ADHESIVES AND DOUBLE SIDED TAPES WORK WELL.

Tolerance (Except as noted)	 Memory Protection Devices, Inc 200 Broad Hollow Road, Farmingdale, New York 11735	Scale	Drawn By T.S.
		1=1	Approved By T.B.
decimal ±.5 (.020)	Title FOUR "C" CELL HOLDER WITH SOLDER LUGS		
Fractional ± .8 (.030)	Date	Drawing Number	
Angular ± 3°	07/07/17	BH4CL	