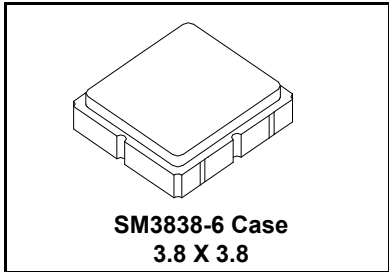


- Ideal for 916.5 MHz Remote Control and Data Telemetry Transmitters
- Very Low Series Resistance
- Quartz Stability
- Complies with Directive 2002/95/EC (RoHS)
- Tape and Reel Standard per ANSI/EIA-481
- Moisture Sensitivity Level: 1
- AEC-Q200 Qualified

RoHS
Compliant

RO3144D-1

916.5 MHz
SAW
Resonator



The RO3144D-1 is a true one-port, surface-acoustic-wave (SAW) resonator in a surface-mount ceramic case. It provides reliable, fundamental-mode stabilization of fixed-frequency transmitters operating at 916.5 MHz. This SAW resonator is designed specifically for use in remote control and data telemetry transmitters operating in the USA under FCC Part 15 regulations and in Canada under DoC RSS-210.

Absolute Maximum Ratings

Rating	Value	Units
Input Power Level	10	dBm
DC Voltage	12	VDC
Storage Temperature	-40 to +85	°C
Soldering Temperature (10 seconds / 5 cycles maximum)	260	°C

Electrical Characteristics

Characteristic		Sym	Notes	Minimum	Typical	Maximum	Units		
Frequency, +25 °C		f_c		916.350		916.650	MHz		
Tolerance from 916.5 MHz				Δf_c				± 150	kHz
Insertion Loss		IL			1.20	2.5	dB		
Quality Factor	Unloaded Q	Q_U			6800				
	50Ω Loaded Q	Q_L			700				
Temperature Stability	Turnover Temperature	T_O		10	25	40	°C		
	Turnover Frequency	f_O			f_c		MHz		
	Frequency Temperature Coefficient	FTC			0.032		ppm/°C ²		
Frequency Aging	Absolute Value during the First Year	fA			10		ppm		
DC Insulation Resistance between Any Two Terminals				1.0			MΩ		
RF Equivalent RLC Model	Motional Resistance	R_M			11.8		Ω		
	Motional Inductance	L_M			14		μH		
	Motional Capacitance	C_M			2.1		fF		
	Transducer Static Capacitance	C_O			2.1		pF		
Test Fixture Shunt Inductance		L_{TEST}			14.3		nH		
Lid Symbolization				767, <u>YWWS</u>					
Standard Reel Quantity	Reel Size 7 Inch			500 Pieces / Reel					
	Reel Size 13 Inch			3000 Pieces / Reel					

CAUTION: Electrostatic Sensitive Device. Observe precautions for handling.

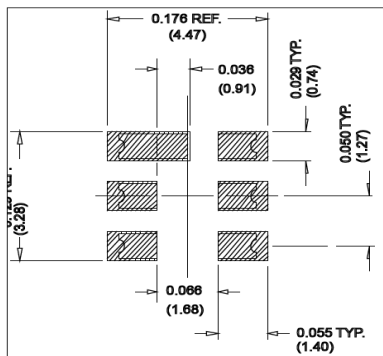
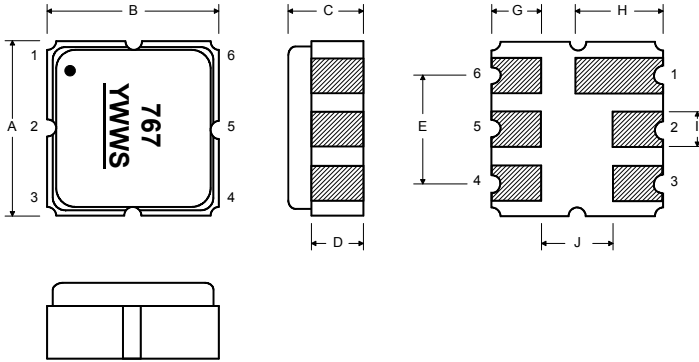
NOTES:

1. The design, manufacturing process, and specifications of this device are subject to change.
2. US or International patents may apply.
3. RoHS compliant from the first date of manufacture.

Electrical Connections

The SAW resonator is bidirectional and may be installed with either orientation. The two terminals are interchangeable and unnumbered. The callout NC indicates no internal connection. The NC pads assist with mechanical positioning and stability. External grounding of the NC pads is recommended to help reduce parasitic capacitance in the circuit.

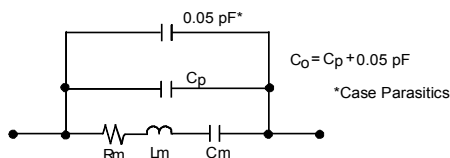
Pin	Connection
1	NC
2	Terminal
3	NC
4	NC
5	NC
6	Terminal
7	NC
8	NC



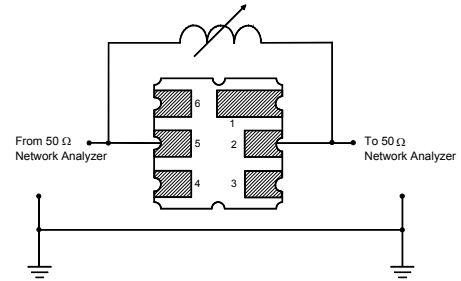
Case Dimensions

Dimension	mm			Inches		
	Min	Nom	Max	Min	Nom	Max
A	3.60	3.80	4.00	0.142	0.150	0.157
B	3.60	3.80	4.00	0.142	0.150	0.157
C	1.10	1.30	1.50	0.043	0.050	0.060
D	0.95	1.10	1.25	0.037	0.043	0.049
E	2.39	2.54	2.69	0.094	0.100	0.106
G	0.90	1.00	1.10	0.035	0.040	0.043
H	1.90	2.00	2.10	0.748	0.079	0.083
I	0.50	0.60	0.70	0.020	0.024	0.028
J	1.70	1.80	1.90	0.067	0.071	0.075

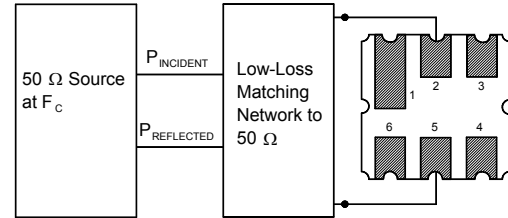
Equivalent RLC Model



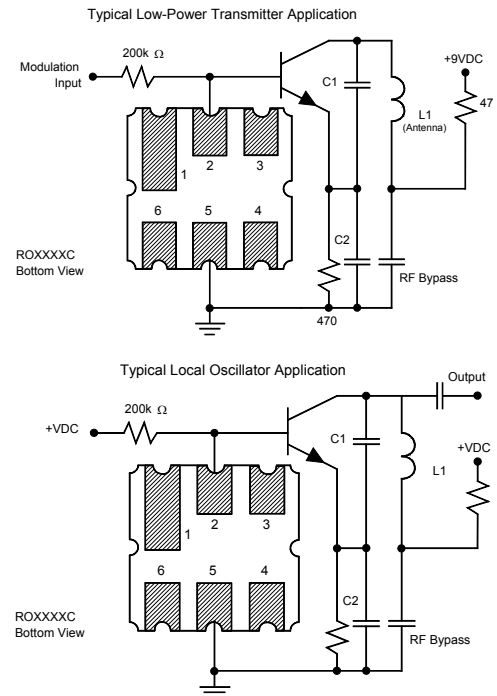
Parameter Test Circuit



Power Test Circuit

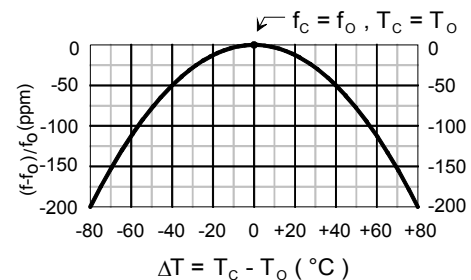


Example Application Circuits



Temperature Characteristics

The curve shown on the right accounts for resonator contribution only and does not include LC component temperature contributions.



Recommended Reflow Profile

1. Preheating shall be fixed at 150~180°C for 60~90 seconds.
2. Ascending time to preheating temperature 150°C shall be 30 seconds min.
3. Heating shall be fixed at 220°C for 50~80 seconds and at 260°C +0/-5°C peak (10 seconds).
4. Time: 5 times maximum.

